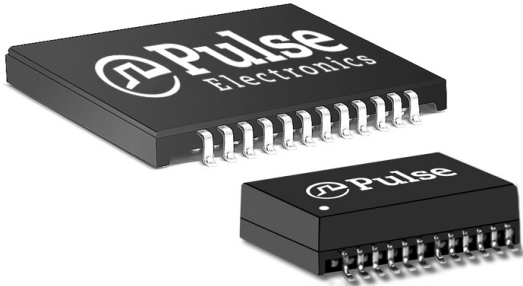


1000Base-T Low Profile Magnetics Module

Designed to Support 1:1 Turns Ratios Receivers



- RoHS-6 peak reflow temperature rating 245°C
- Low profile package for mobile computer applications
- Compliant with IEEE 802.3ab standard

Electrical Specifications @ 25°C - Operating Temperature 0°C to 70°C

Part Number ¹	Insertion Loss (dB MAX)	Return Loss (dB MIN @ 100Ω)		Differential to Common Mode Rejection (dB MIN)	Crosstalk (dB MIN)	Hipot (Vrms MIN)
	1-100 MHz	1-40 MHz	40-100 MHz	30-100 MHz	30-100 MHz	
H5019NL	-1.0	-18	-12 + 20*LOG10 (f/80)	-43 + 22*LOG10 (f/30)	-55 + 24*LOG10 (f/10)	1500
H5019BNL	-1.0	-18	-12 + 20*LOG10 (f/80)	-43 + 22*LOG10 (f/30)	-55 + 24*LOG10 (f/10)	1500
HX5019BNL ³	-1.0	-18	-12 + 20*LOG10 (f/80)	-43 + 22*LOG10 (f/30)	-55 + 24*LOG10 (f/10)	1500
HX5180NL ³	-1.0	-18	-12 + 20*LOG10 (f/80)	-43 + 22*LOG10 (f/30)	-55 + 24*LOG10 (f/10)	1500

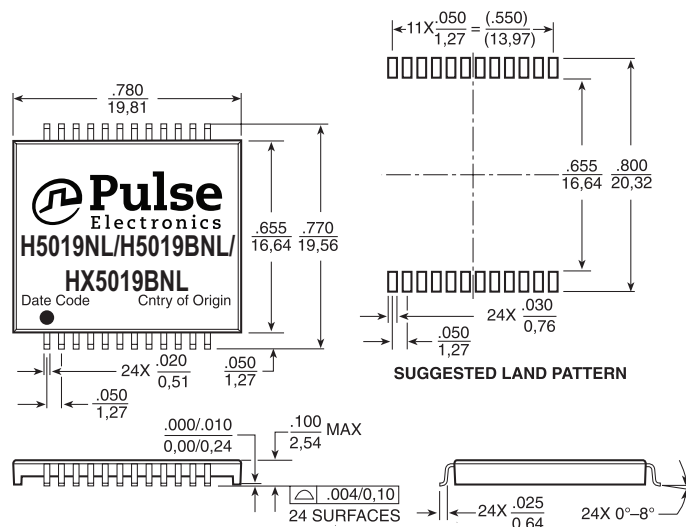
Notes:

- For Tape & Reel packaging, add a "T" suffix at the end of the part number, e.g. H5019NLT.
- MSL: Moisture Sensitivity Level = 1
- Extended Temperature: -40°C to +85°C

Mechanicals

Schematic

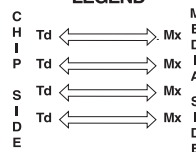
H5019NL/H5019BNL/HX5019BNL



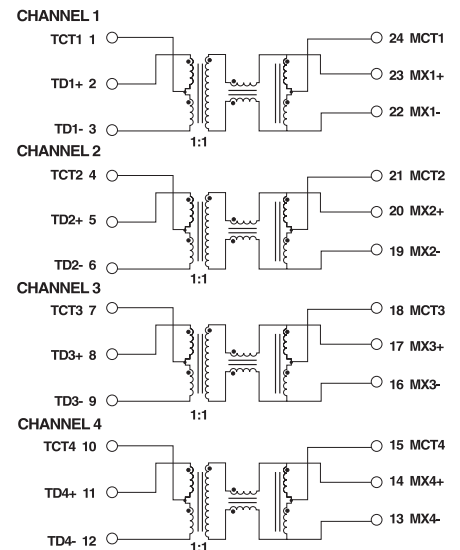
Weight1.4 grams
Tape & Reel700
Tube25

Dimensions: $\frac{\text{Inches}}{\text{mm}}$
Unless otherwise specified,
all tolerances are $\pm \frac{.010}{0.25}$

LEGEND



H5019NL

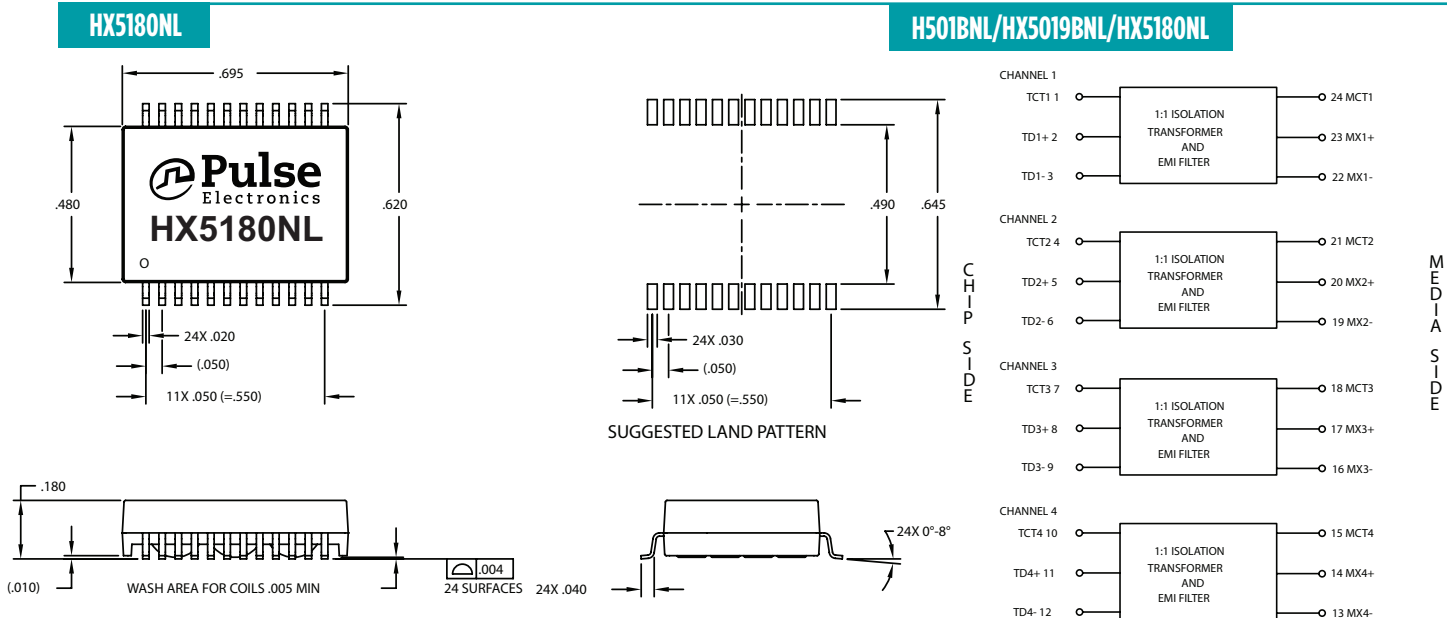


1000Base-T Low Profile Magnetics Module

Designed to Support 1:1 Turns Ratios Receivers

Mechanicals

Schematic



For More Information

Pulse Worldwide Headquarters
12220 World Trade Drive
San Diego, CA
92128
U.S.A.

Tel: 858 674 8100

Pulse Europe
Einsteinstrasse 1
D-71083 Herrenberg
Germany

Tel: 49 7032 7806

Pulse China Headquarters
B402, Shenzhen Academy of
Aerospace Technology Bldg.
10th Kejinan Road
High-Tech Zone
Nanshan District
Shenzhen, PR China
518057

Pulse North China
Room 2704/2705
Super Ocean Finance
Ctr.
2067 Yan An Road
West
Shanghai 200336
China

Pulse South Asia
135 Joo Seng Road
#03-02
PM Industrial Bldg.
Singapore 368363

Tel: 65 6287 8998
Fax: 65 6287 8998

Pulse North Asia
3F, No. 198
Zhongyuan Road
Zhongli City
Taoyuan County 320
Taiwan R. O. C.
Tel: 886 3 4356768
Fax: 886 3 4356823
(Pulse)

Performance warranty of products offered on this data sheet is limited to the parameters specified. Data is subject to change without notice. Other brand and product names mentioned herein may be trademarks or registered trademarks of their respective owners. © Copyright, 2013. Pulse Electronics, Inc. All rights reserved.