

2mm Hard Metric 8+2 Connectors

Description:

Modular, high-density, two-piece backplane connection system

Typical Applications:

- Servers
- Switches
- Routers
- Add/drop multiplexers

Benefits/Features:

Industry Standard . . . Meets IEC 61076-4-101 performance requirements and extends mounting, mating and other specifications from the 5+2 series.

Versatility Configurations similar to the 5+2 series allow mix-and-match to create solutions to complex I/O requirements.

Three mating length pins allow thousands of **early mate, last break** options and reduced mating force.

Integrated shielding available to minimize EMI.

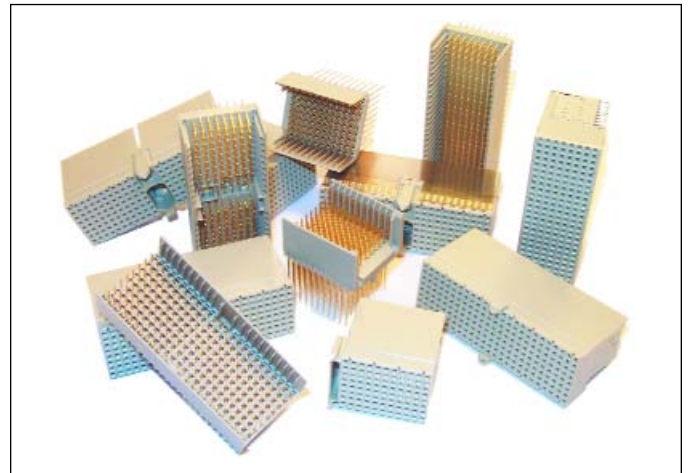
awkward? Extended tails available **for through** the backplane I/O.

Flexible code-key indexing for user-defined slot discrimination.

mates-last, breaks-first

Reliability Generous lead-in allows self-alignment for blind mating.

Minimum contact wipe of 2mm for all pin lengths.



Mechanical and Electrical Characteristics:

Mechanical Specifications	
Grid Size	2.0 mm
Temperature Range	-55°C to +105°C
Insulation Material	Glass filled polymer, UL94V-0
Contact Base Material	Phosphor bronze
Creepage and Clearance Distance	0.40 mm contact row 0.40 mm adjacent contacts
Contact Levels	5.3, 6.8, 8.3 mm
Tail Lengths (±0.3)	3.7, 13.0, 14.5, 16.0 mm
Mating Force per Signal Contact	0.75 N [0.169 lbf] max.
Unmating Force	0.12 N [0.027 lbf] min.
Termination Technique	Press-fit
Misalignment	2.0 mm
Inclination	Longitudinal: ±2° Transverse: ±2°

Electrical Performance	
Current Rating	1 amp
Voltage Rating	30 VAC
Insulation Resistance	Initial: 10,000 MΩ
Dielectric Withstanding Voltage	750 VAC

Recommended PCB Plated Through Holes	
Drilled Hole	0.69 - 0.72 mm
Cu	0.25 µm min.
Sn	0.10 µm max.
Plated Through Hole	0.55 - 0.65 mm

Performance Class	
1	500 mating cycles
2	250 mating cycles

2mm Hard Metric 8+2 Connectors

Ordering Nomenclature

HM14M S 0 2 A

Part Number:

Male D ... HM14M
 E ... HM15M
 F ... HM16M
 DE ... HM30M
 Female D ... HM14F
 E ... HM15F
 F ... HM16F
 DE ... HM30F

Shielding: Male

0 = None 2 = Row Z
 1 = Row Y 3 = Row Y & Z

Shielding: Female

0 = None 2 = Bottom
 1 = Upper 3 = Both

Performance Class:

1 = Perf. Class 1
 2 = Perf. Class 2
 3 = Perf. Class 1 with LUB
 4 = Perf. Class 2 with LUB

Pin Type: Male

See Table 1

Pin Type: Female

N = None

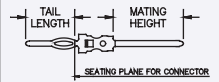
Sub-Configuration:

S = Standard
 V = 22 column (E & DE only)
 W = 19 column (E & DE only)

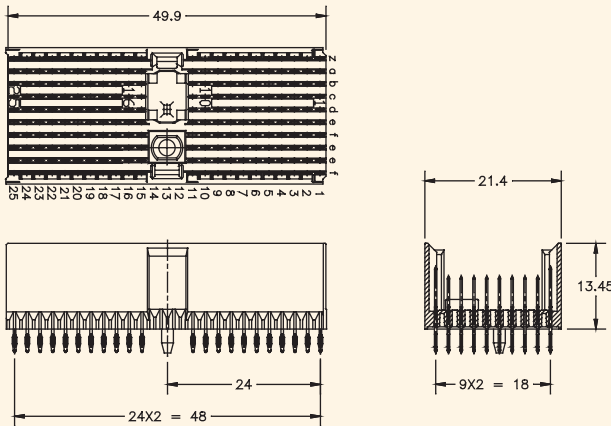
TABLE 1 - PIN TYPE

MATING HEIGHT ±0.2		5.3	6.8	8.3
TAIL LENGTH ±0.3	3.7	A	B	C
	13.0	D	E	F
	14.5	G	H	J
	16.0	K	L	M

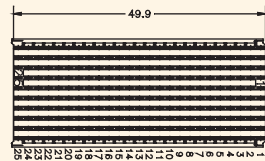
CONTACT DIMENSIONS



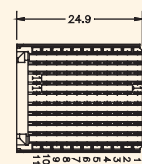
HM14M



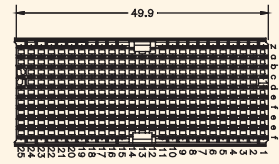
HM15M



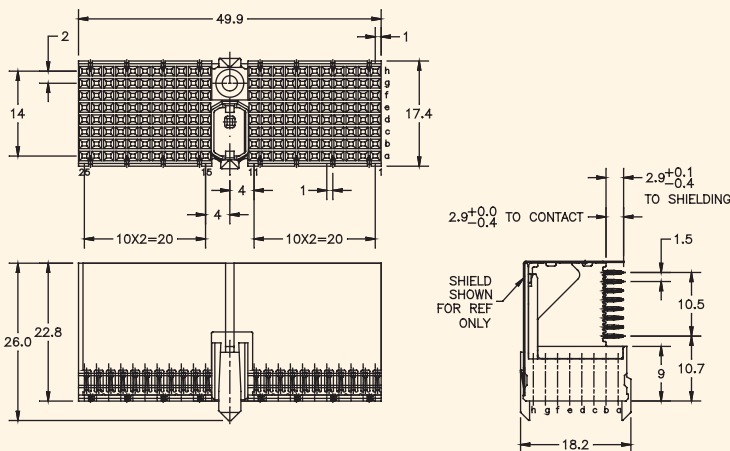
HM16M



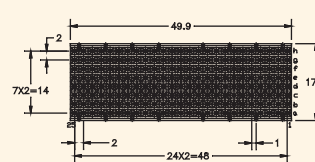
HM30M



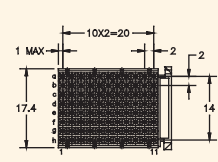
HM14F



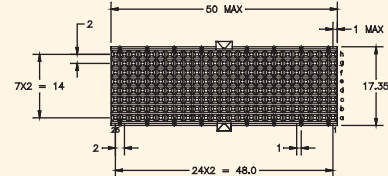
HM15F



HM16F



HM30F



Dimensions are shown in millimeters.

For additional information, please contact us or visit our website.

DELPHI

www.delphi.com/connect

Connection Systems

19200 Asheville Highway
 P.O. Box 519
 Landrum, SC 29356 U.S.A.
 Tel: [1] 864.457.3824
 Fax: [1] 864.457.2535

Printed on Recycled Paper.
 © 2002, Delphi. All rights reserved.
 Printed in the U.S.A.
 DP-02-E-081

1202/3W • 203/1mGBS • U803/3W