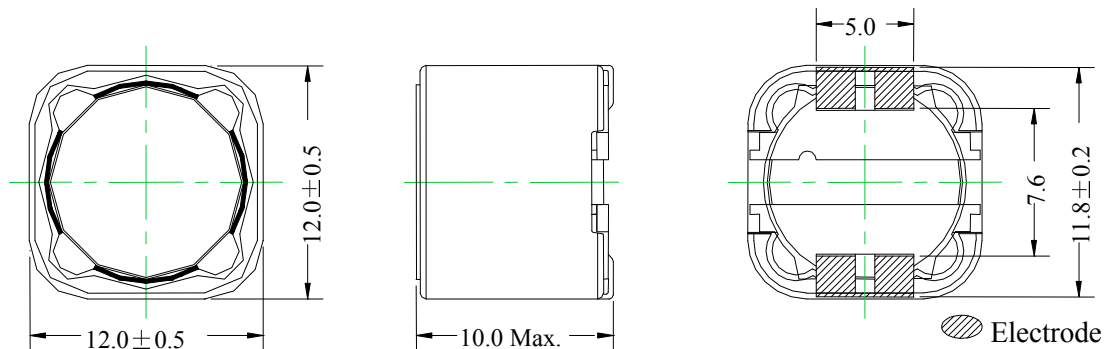
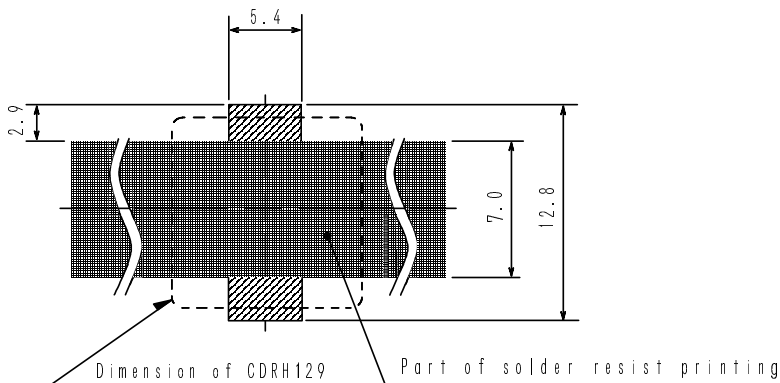


**Type: CDRH129**
**◆ Product Description**

- 12.5×12.5mm Max.(L×W), 10.0mm Max. Height.
- Inductance range: 1.0μH~2.2mH.
- Rated current range: 0.43~11.6 A.
- Custom design is available.


**◆ Feature**

- Magnetically shielded construction.
- Storage temperature range: -40°C ~+125°C.
- Operating temperature range: -40°C ~+125°C(Including coil's self temperature rise).
- Ideally used in Notebook PC, LCD TV,DVD, Game machine, STB ,Projector etc as DC-DC converter inductor.
- RoHS compliance and Halogen Free.

**◆ Dimensions (mm)**

**◆ Land Pattern (mm)**


**Type: CDRH129**
**◆ Specification**

Part No. ※	Stamp	Inductance ( $\mu$ H)	D.C.R.( $\Omega$ ) [Max.] (Typ.) (at 20°C)	Saturation Current (A) ※1		Temperature Rise Current (A) ※2
				at 25°C	at 125°C	
CDRH129HF-1R0N□	1R0	1.0±30%	5.5m(4.4m)	19.90(24.90)	12.3(15.4)	11.6(13.4)
CDRH129HF-1R8N□	1R8	1.8±30%	6.5m(5.2m)	13.40(16.80)	11.4(14.3)	11.0(12.6)
CDRH129HF-2R5N□	2R5	2.5±30%	8.0m(6.4m)	12.16(15.2)	9.36(11.7)	10.3(11.7)
CDRH129HF-3R5N□	3R5	3.5±30%	9.7m(7.7m)	12.00(15.0)	9.4(11.8)	8.70(9.90)
CDRH129HF-4R7N□	4R7	4.7±30%	11m(8.9m)	10.08(12.6)	7.84(9.80)	8.40(9.40)
CDRH129HF-6R8N□	6R8	6.8±30%	12.4m(9.9m)	8.56(10.70)	6.72(8.40)	7.10(8.20)
CDRH129HF-7R5N□	7R5	7.5±30%	14m(11m)	8.48(10.60)	6.56(8.20)	6.80(7.80)
CDRH129HF-100N□	100	10±30%	18m(14.4m)	7.12(8.90)	4.80(6.00)	6.95(7.60)
CDRH129HF-120M□	120	12±20%	19m(15m)	7.04(8.80)	4.72(5.90)	6.20(7.10)
CDRH129HF-150M□	150	15±20%	26m(21m)	5.84(7.30)	4.64(5.80)	5.22(5.95)
CDRH129HF-220M□	220	22±20%	29m(23m)	5.12(6.40)	3.92(4.90)	4.95(5.70)
CDRH129HF-330M□	330	33±20%	53m(42m)	4.25(5.30)	3.36(4.20)	3.60(4.10)
CDRH129HF-470M□	470	47±20%	63m(50m)	3.60(4.50)	2.81(3.52)	3.45(3.92)
CDRH129HF-560M□	560	56±20%	68m(54m)	2.85(3.57)	2.20(2.75)	2.95(3.40)
CDRH129HF-680M□	680	68±20%	93m(74m)	2.76(3.45)	2.24(2.80)	2.85(3.25)
CDRH129HF-820M□	820	82±20%	99m(79m)	2.62(3.28)	1.98(2.48)	2.60(2.90)
CDRH129HF-101M□	101	100±20%	0.126(0.101)	2.31(2.89)	1.82(2.28)	2.45(2.75)
CDRH129HF-121M□	121	120±20%	0.154(0.123)	2.05(2.57)	1.56(1.95)	2.20(2.45)
CDRH129HF-151M□	151	150±20%	0.174(0.139)	1.80(2.25)	1.44(1.80)	1.90(2.16)
CDRH129HF-181M□	181	180±20%	0.191(0.153)	1.66(2.08)	1.22(1.53)	1.86(2.13)
CDRH129HF-221M□	221	220±20%	0.246(0.197)	1.64(2.05)	1.26(1.58)	1.72(1.95)
CDRH129HF-331M□	331	330±20%	0.386(0.309)	1.28(1.60)	1.04(1.30)	1.28(1.45)
CDRH129HF-471M□	471	470±20%	0.471(0.377)	1.06(1.33)	0.87(1.09)	1.25(1.41)
CDRH129HF-561M□	561	560±20%	0.650(0.520)	1.01(1.27)	0.76(0.95)	0.98(1.12)
CDRH129HF-681M□	681	680±20%	0.730(0.584)	0.83(1.04)	0.68(0.86)	0.96(1.10)
CDRH129HF-821M□	821	820±20%	0.824(0.659)	0.81(1.02)	0.63(0.79)	0.94(1.06)
CDRH129HF-102M□	102	1000±20%	1.22(0.97)	0.70(0.88)	0.56(0.71)	0.78(0.88)
CDRH129HF-122M□	122	1200±20%	1.33(1.11)	0.64(0.81)	0.52(0.65)	0.79(0.90)
CDRH129HF-152M□	152	1500±20%	1.99(1.66)	0.56(0.71)	0.44(0.56)	0.58(0.66)
CDRH129HF-182M□	182	1800±20%	2.18(1.82)	0.48(0.60)	0.38(0.48)	0.54(0.62)
CDRH129HF-222M□	222	2200±20%	2.58(2.15)	0.43(0.54)	0.37(0.47)	0.52(0.59)

**Type: CDRH129****※ Description of part name**

CDRH129HF-1R0N□

- B Box
- C Carrier Tape

- ※1.Saturation current: The DC current at which the inductance decreases to 90% of its initial value.
- ※2.Temperature rise current: The DC current at which the temperature rise is  $\Delta T=40^{\circ}\text{C}$ .( $T_a=20^{\circ}\text{C}$ )