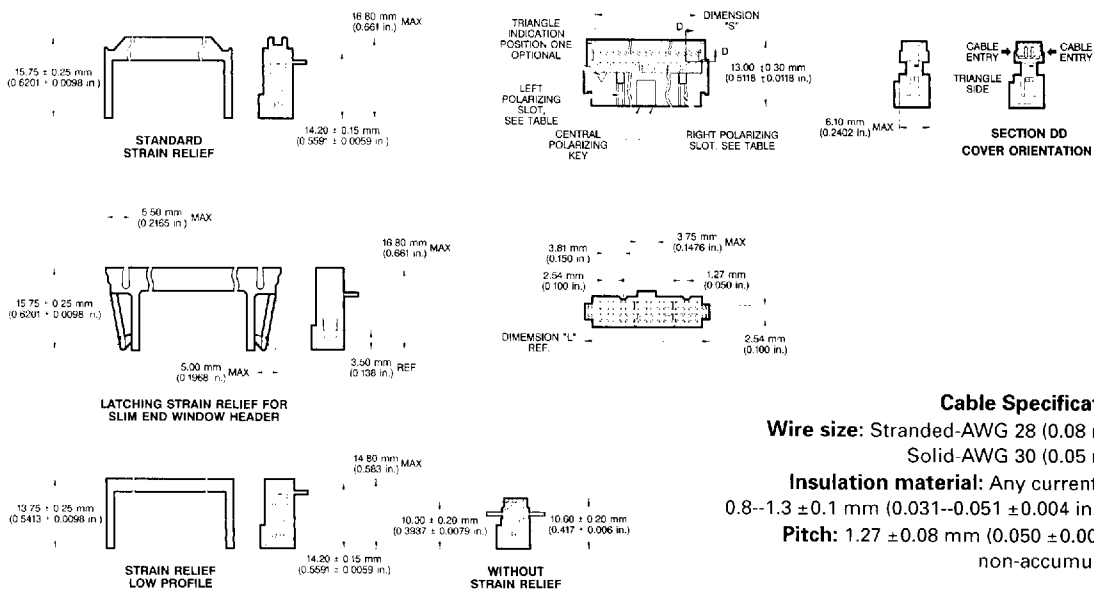


## Description

### Quickie™ III IDC Receptacles



#### Cable Specifications

Wire size: Stranded-AWG 28 (0.08 mm<sup>2</sup>)  
Solid-AWG 30 (0.05 mm<sup>2</sup>)

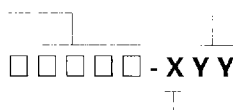
Insulation material: Any current type  
0.8--1.3 ± 0.1 mm (0.031--0.051 ± 0.004 in.) dia.

Pitch: 1.27 ± 0.08 mm (0.050 ± 0.003 in.)  
non-accumulated

A18336 0175

## Ordering Data

Base number specifies plating type



Last two digits specify total positions for each base number

Specifies polarization and strain relief type

#### Base Numbers

71600 (30 μin. gold) and 71601 (15 μin. gold) and 71602 (30 μin. GXT™)

Number of Positions	Dash Number -- center and dual polarization*								Dimensions			
	Dash Number -- center and dual polarization*				Dash Number -- dual polarization only*				S		L	
	without strain relief	with standard strain relief	with latching strain relief	with low-profile strain relief	without strain relief	with standard strain relief	with latching strain relief	with low-profile strain relief	mm	in.	mm	in.
2 x 3**	-106	-006	-606	-206	-406	-306	-706	-506	8.25	0.325	12.08	0.476
2 x 4**	-108	-008	-608	-208	-408	-308	-708	-508	10.79	0.425	14.62	0.576
2 x 5***	-110	-010	-610	-210	-410	-310	-710	-510	13.33	0.525	17.16	0.676
2 x 7***	-114	-014	-614	-214	-414	-314	-714	-514	18.41	0.725	22.24	0.876
2 x 8	-116	-016	-616	-216	-416	-316	-716	-516	20.95	0.825	24.78	0.976
2 x 9	-118	-018	-618	-218	-418	-318	-718	-518	23.49	0.925	27.32	1.076
2 x 10	-120	-020	-620	-220	-420	-320	-720	-520	26.03	1.025	29.86	1.176
2 x 12	-124	-024	--	--	-424	-324	--	--	31.11	1.225	34.94	1.376
2 x 13	-126	-026	-626	-226	-426	-326	-726	-526	33.65	1.325	37.48	1.476
2 x 15	-130	-030	-630	-230	-430	-330	-730	-530	38.73	1.525	42.56	1.676
2 x 17	-134	-034	-634	-234	-434	-334	-734	-534	43.81	1.725	47.64	1.876
2 x 20	-140	-040	-640	-240	-440	-340	-740	-540	51.43	2.025	55.26	2.176
2 x 22	-144	-044	-644	-244	-444	-344	-744	-544	56.51	2.225	60.34	2.376
2 x 25	-150	-050	-650	-250	-450	-350	-750	-550	64.13	2.525	67.96	2.676
2 x 30	-160	-060	-660	-260	-460	-360	-760	-560	76.83	3.025	80.66	3.176
2 x 32	-164	-064	-664	-264	-464	-364	-764	-564	81.91	3.225	85.74	3.376

Ordering data shown is for our standard product offering. For non-standard or custom products, contact your authorized Berg Electronics representative.

\*Polarizing keys must be installed into the Berg Electronics headers to function with dual-polarization slots.

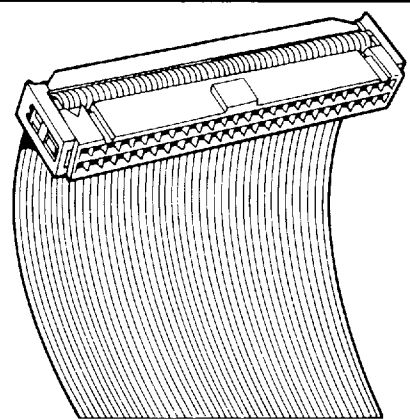
\*\*Center key option has no dual-polarization slots. Non-center-key option includes right dual-polarization slot only.

\*\*\*Center key option and non-center-key option include right dual-polarization slot only.

# Round Conductor, Flat Cable IDC Connectors

2.54 x 2.54 mm (0.100 x 0.100 in.)  
Centerlines

## Quickie™ III IDC Receptacle



### Features

- 2-Row: 6 through 64 total positions.
- Accepts 28 AWG (stranded) or 30 AWG (solid) cable.
- Standard plating available in 0.76 µm (30 µin.) gold and 0.76 µm (30 µin.) GXT™ (palladium-nickel alloy with gold flash).
- IDC receptacle designed according to industry standards.
- Hertz Dot concentrates the contact pressure, reducing contact resistance and increasing contact integrity.
- Pre-loaded bridge-type cover suits a wide range of cables, reduces assembly time, protects contacts, and offers precise cover-to-base alignment ensuring a reliable termination.
- Early-entry single-beam contact provides long wiping action during mating cycle.
- Comprehensive range of connector sizes.

### Options

- Dual polarization with or without center key.
- Open and closed covers available.

- Receptacles using standard and low-profile strain relief mate to headers with standard latches. Refer to header accessories page 23-50.
- Receptacles without strain relief mate to headers with low-profile latches. Refer to header accessories page 23-50.
- Receptacles with latching strain relief mate with Slimline headers with end windows.
- Polarization by means of a polarization plug (P/N 89826-001) or industry standard center key or military keys.

### Mating Data


Mates with 0.64 mm (0.025 in.) square or round pin from 4.32 mm (0.170 in.) min to 6.35 mm (0.250 in.) max. A nominal 5.84 mm (0.230 in.) length is recommended.


### Berg Electronics Products Page

- Quickie II and III Headers. . . . . 23-16 to 23-49
- BergStik 2-Row Straight and Right-Angle Headers. . . . . 13-54, 13-56 & 13-61
- BergPins . . . . . 13-106 to 13-116

### Specifications

Compatible with MIL-C-83503 Approvals and Certifications

 File no. E66906

 File no. LR46923

### Application Equipment

Description	Page
Hand-operated cable cutter HT-209A . . . . .	23-65
Hand tool HT-210A . . . . .	23-65
Hand-operated bench press QP-104 . . . . .	23-64
Semi-automatic bench assembly machine QP-106 . . . . .	23-64
Semi-automatic press QP-112 . . . . .	23-64
Fully-automatic assembly machine QP-113 . . . . .	23-65

### Accessories

See receptacle accessory page 23-14 for pull tab and polarization plug data.

### Technical Data

#### Materials

- Housing material . . . . . Glass-filled thermoplastic polyester (UL 94 V-0)
  - Color . . . . . Gray
- Contact body material . . . . . Phosphor-bronze

#### Plating

- Underplate . . . . . 1.27 µm (50 µin.) min nickel
- Finish . . . . . 0.38 µm (15 µin.) gold or 0.76 µm (30 µin.) min gold or 0.76 µm (30 µin.) min GXT™

#### Electrical Performance

- Insulation resistance. . . . .  $5 \times 10^4$  MΩ min initial
- Resistance . . . . . 15 mΩ max
- Withstanding voltage. . . . . >1000 V ac rms (sea level)

- Current rating . . . . . 1 amp continuous

#### Mechanical Performance

- Insertion force per contact. . . . . For this
- Normal force per contact. . . . . data,
- Withdrawal force per contact . . . . . see
- Contact retention force. . . . . BUS-12-095
- Durability (mating cycles) . . . . . Specification

#### Operating Environment

- Temperature range. . . . . -65°C to +105°C

#### Packaging

- Antistatic tubes

### Customer Support Materials

Description	Order No.	Description	Order No.
Customer Product Drawing . . . . .	By Part Number	Product Sample. . . . .	Upon Request
Product Specifications. . . . .	BUS-12-095		

9005411 0002826 673

www.DataSheet4U.com