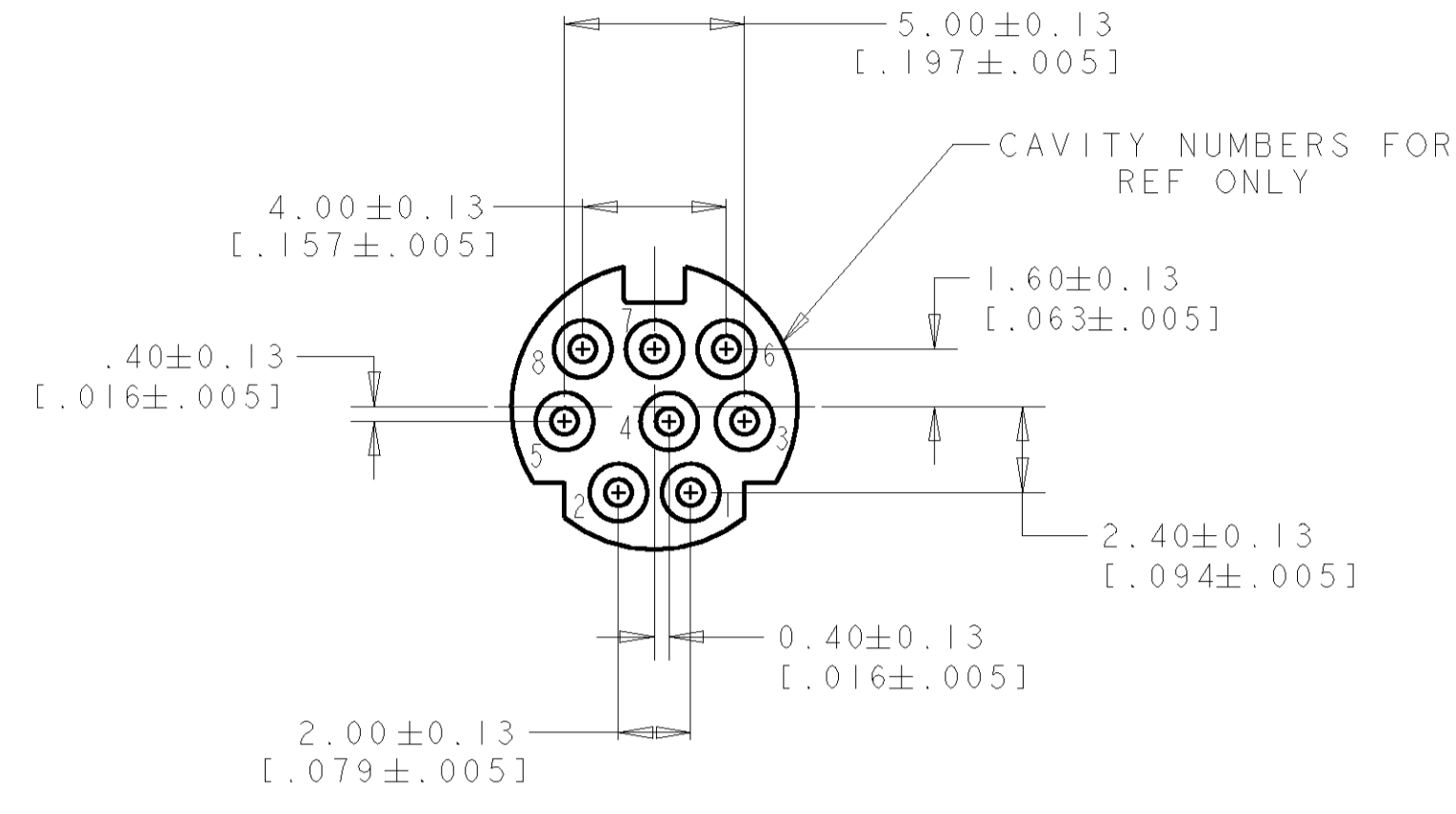
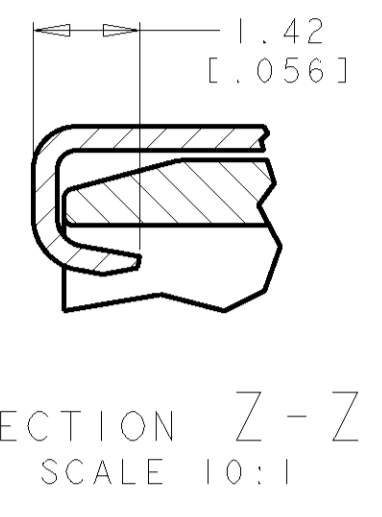
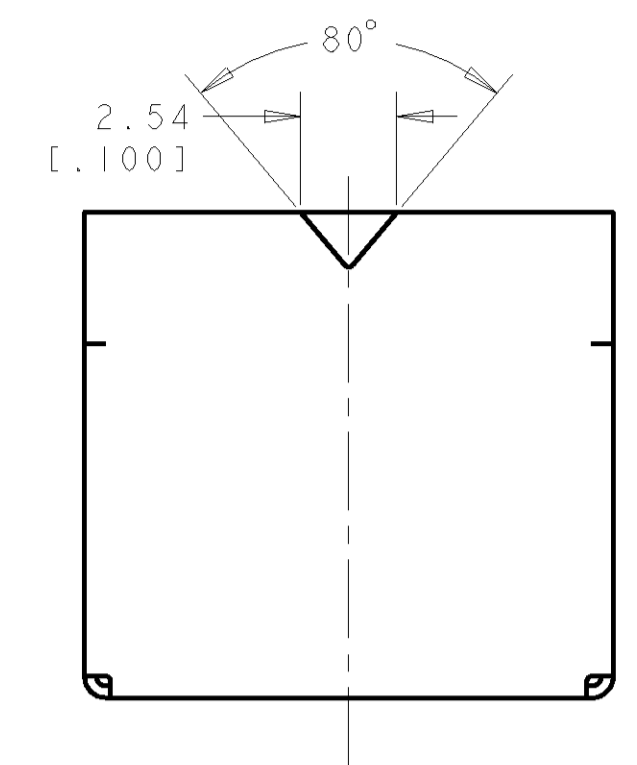
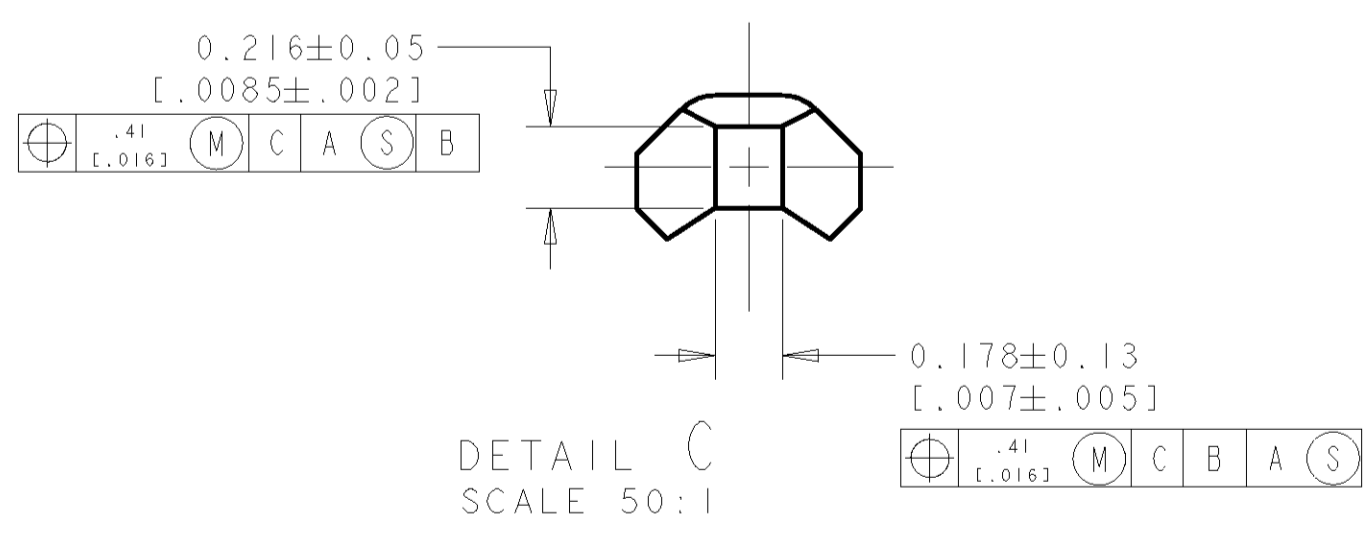
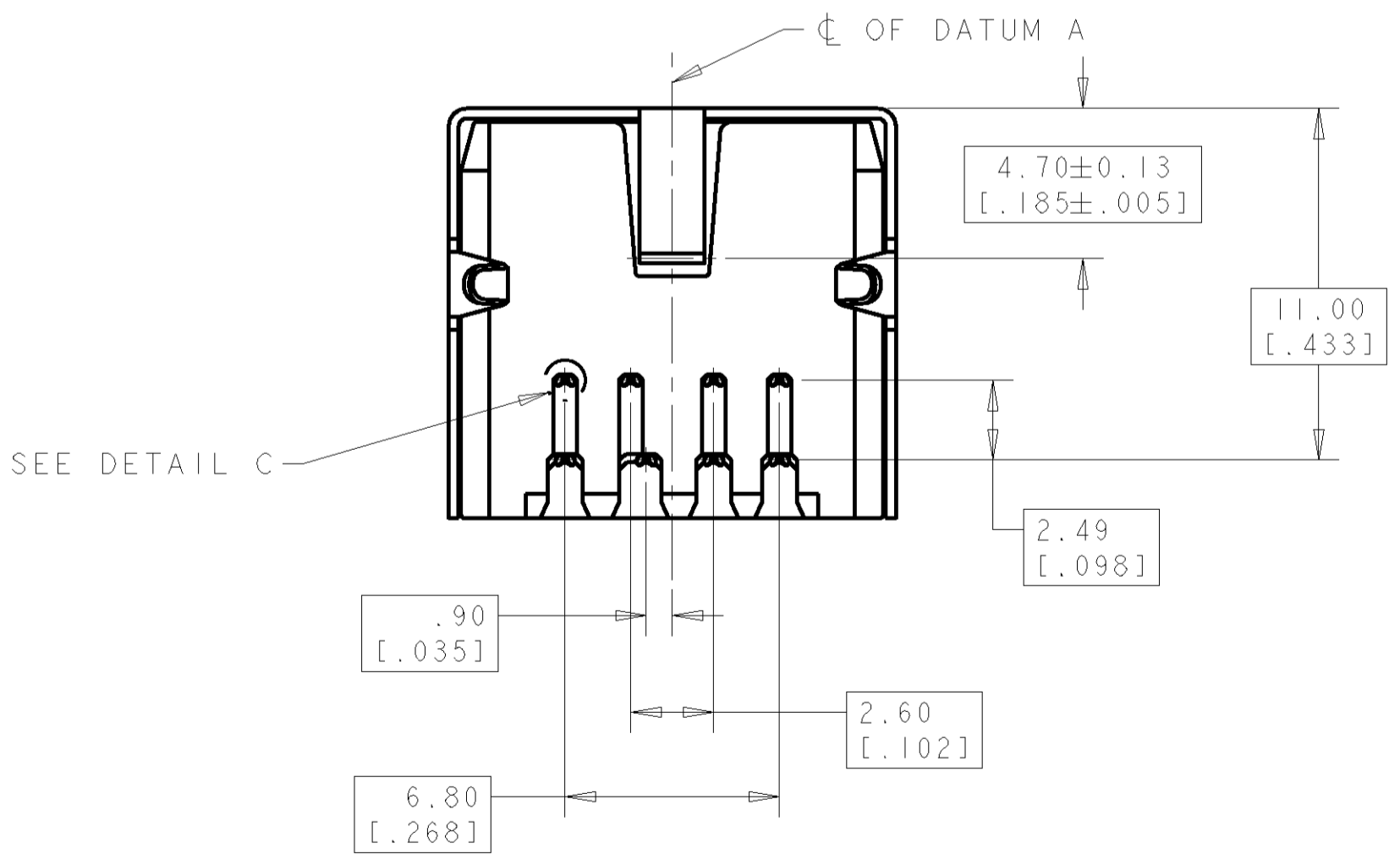
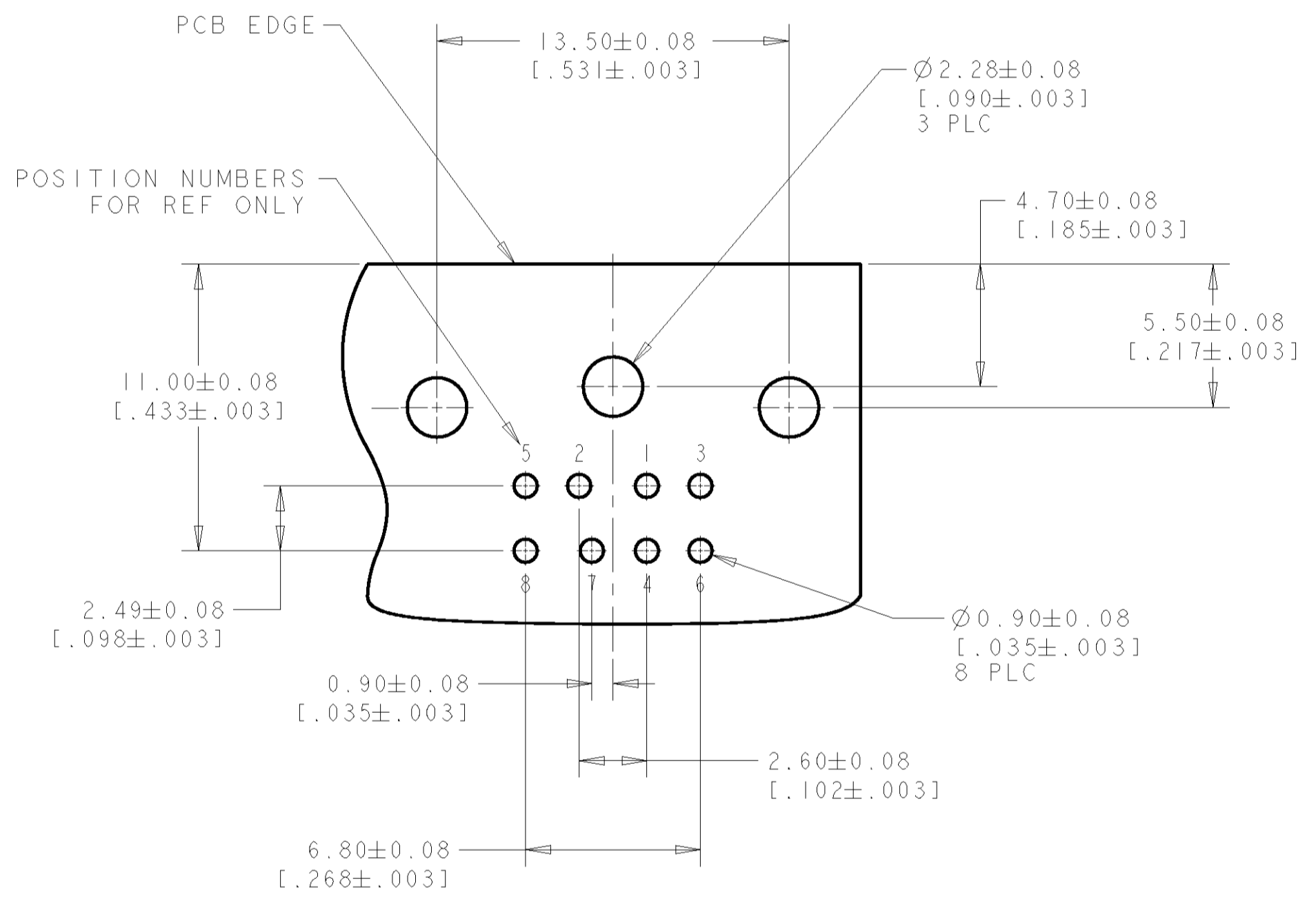
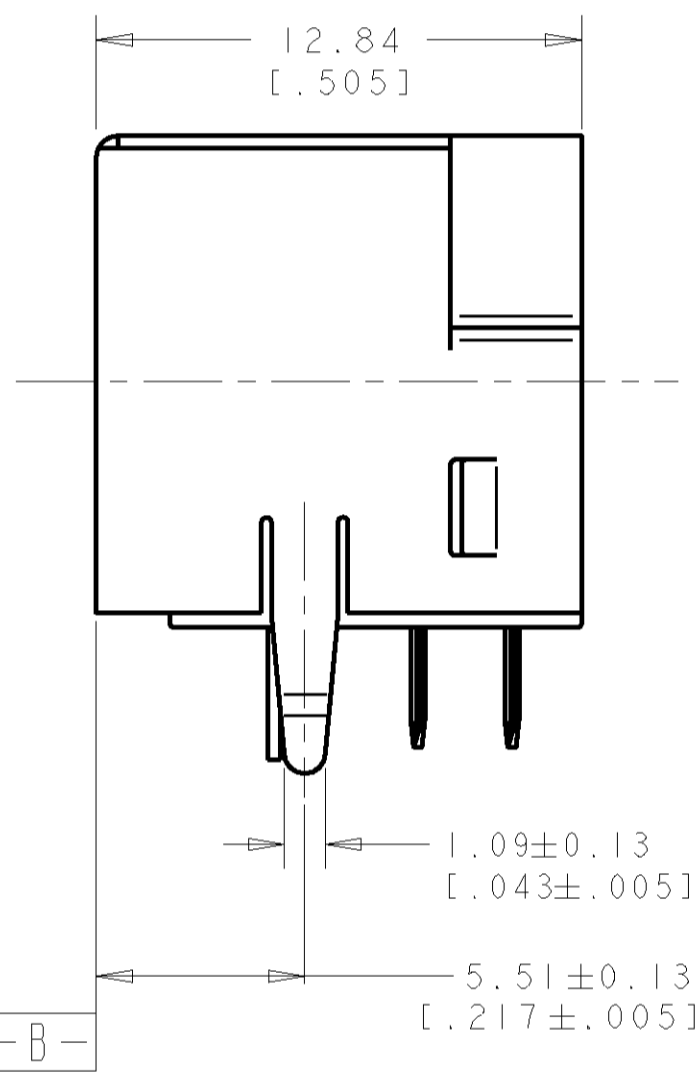
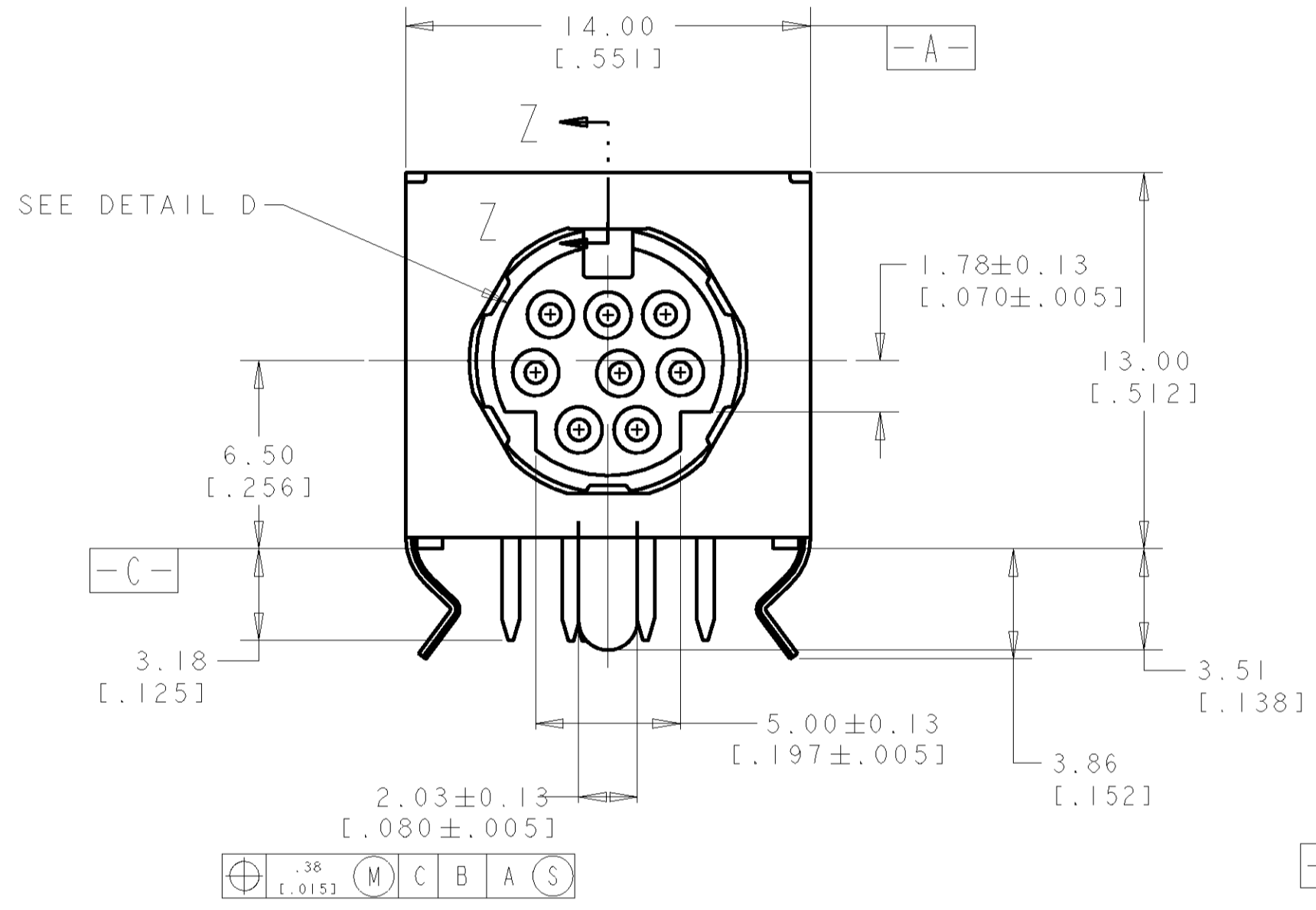


REVISONS		DATE	DNM	APRD
LOC	DIST	DESCRIPTION		
0	NPR FPD0-0340-04		4JAN05	LWY LSF



- △ MATERIAL:
RECEPTACLE CONTACTS: PHOSPHOR BRONZE
RECEPTACLE SHIELD: COPPER ALLOY.
HOUSING: UL RECOGNIZED 94V-0 RATED THERMOPLASTIC, COLOR, BLACK
- △ PLATING:
RECEPTACLE CONTACTS - GOLD FLASH PLATED ON MATING END, MATTE-TIN PLATED .0030 MIN [0.000120 MIN] THICK ON SOLDER TAIL ALL OVER .0013 MIN [0.000050 MIN] THICK NICKEL.
- △ PLATING:
RECEPTACLE SHIELD: PRE-TIN PLATED
- 4. RECEPTACLE ASSEMBLY MATES WITH 8 PIN 9.00±.10 [0.354±.004]



P/N: 5749232-1 AS SHOWN

<small>THIS DRAWING IS A CONTROLLED DOCUMENT FOR AMP INCORPORATED. ALL DIMENSIONS ARE IN MILLIMETERS UNLESS OTHERWISE SPECIFIED. FOR THE LATEST REVISION, ORGANIZATION SHOULD BE CONTACTED FOR THE LATEST REVISION.</small>		DWN: WYLLIE CBY: SF LEONG APD: SF LEONG	04JAN2005 Tyco Electronics Singapore Pte. Ltd.
DIMENSIONS: mm [INCHES]	TOLERANCES UNLESS OTHERWISE SPECIFIED: 0 PLC ± 1 PLC ± 2 PLC ± 3 PLC ±0.38 [0.015] 4 PLC ± 5 PLC ±	NAME: RECEPTACLE ASSY W/ HOLD DOWN, 8 POS., RIGHT ANGLE, MINIATURE CIRCULAR DIN PRODUCT SPEC: 108-1225 APPLICATION SPEC:	SIZE: A1 CAGE CODE: 00779 DRAWING NO: 5749232
MATERIAL	FINISH	WEIGHT	SCALE: 5:1 SHEET 1 OF 1 REV 0
CUSTOMER DRAWING			