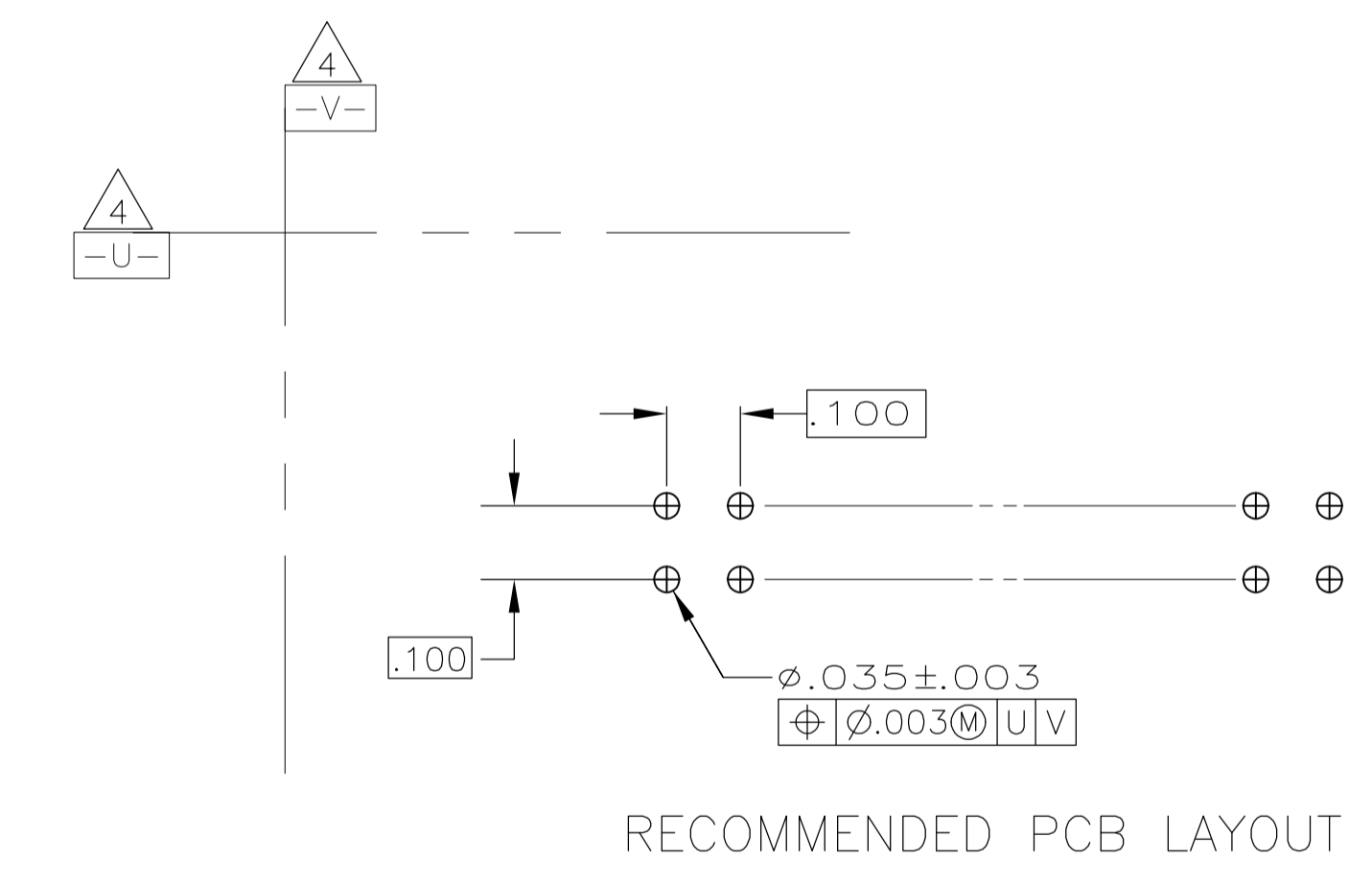
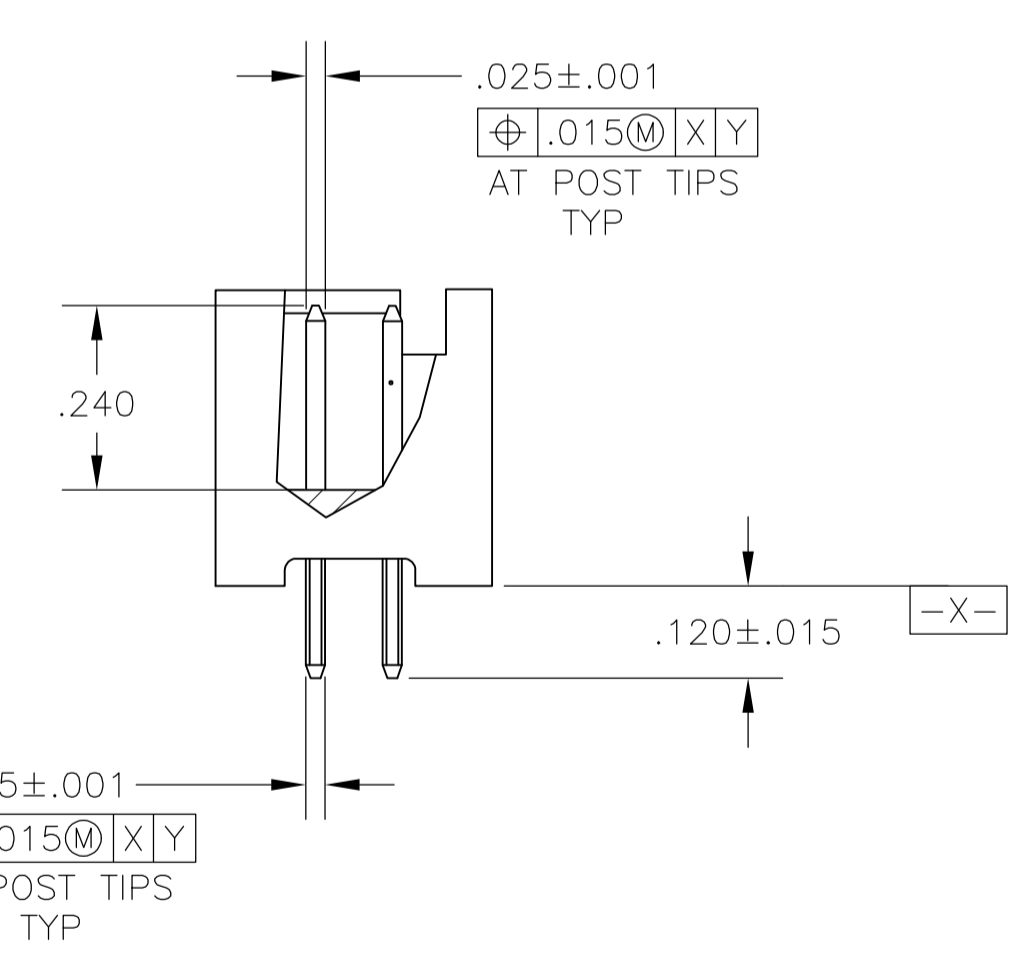
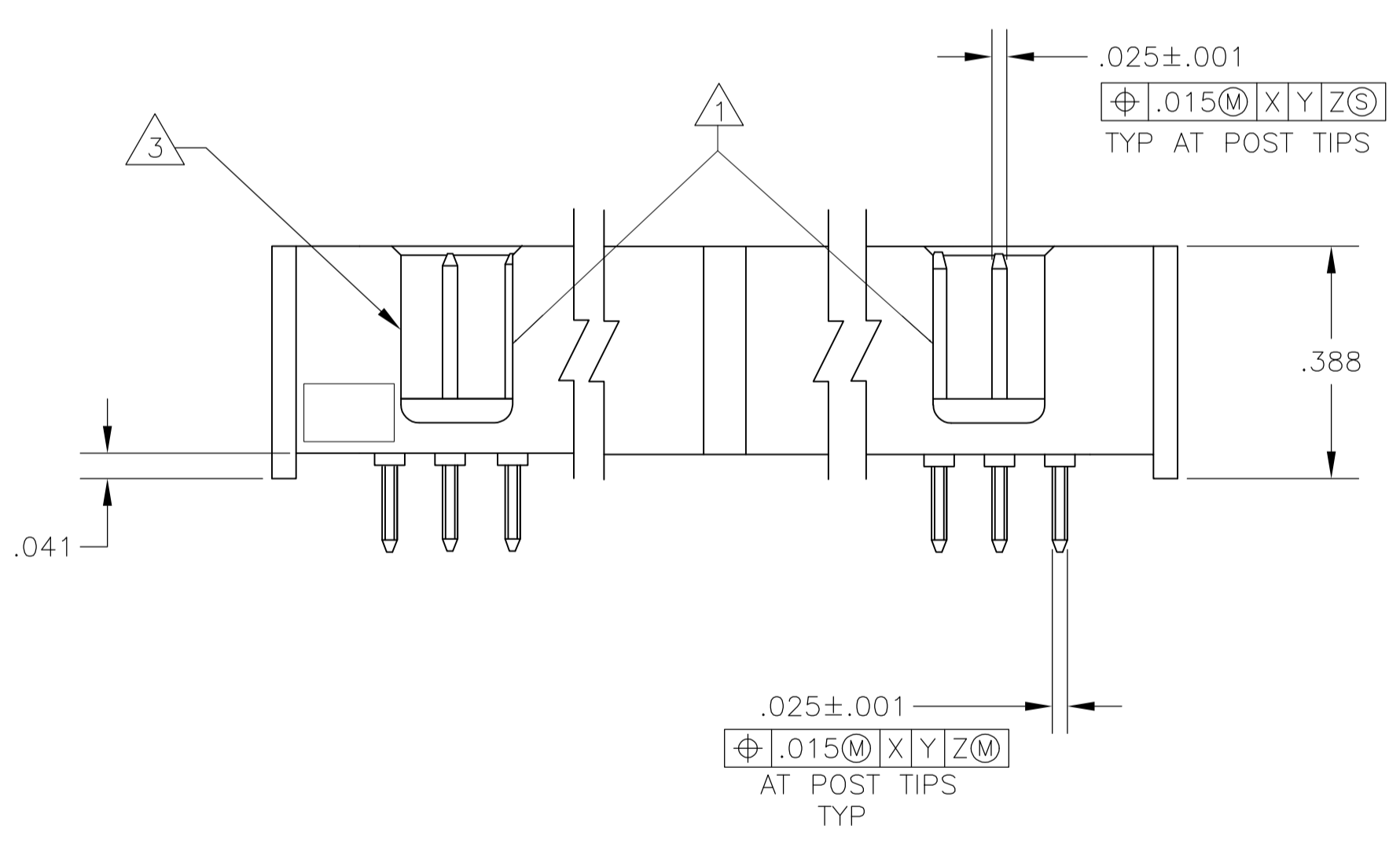
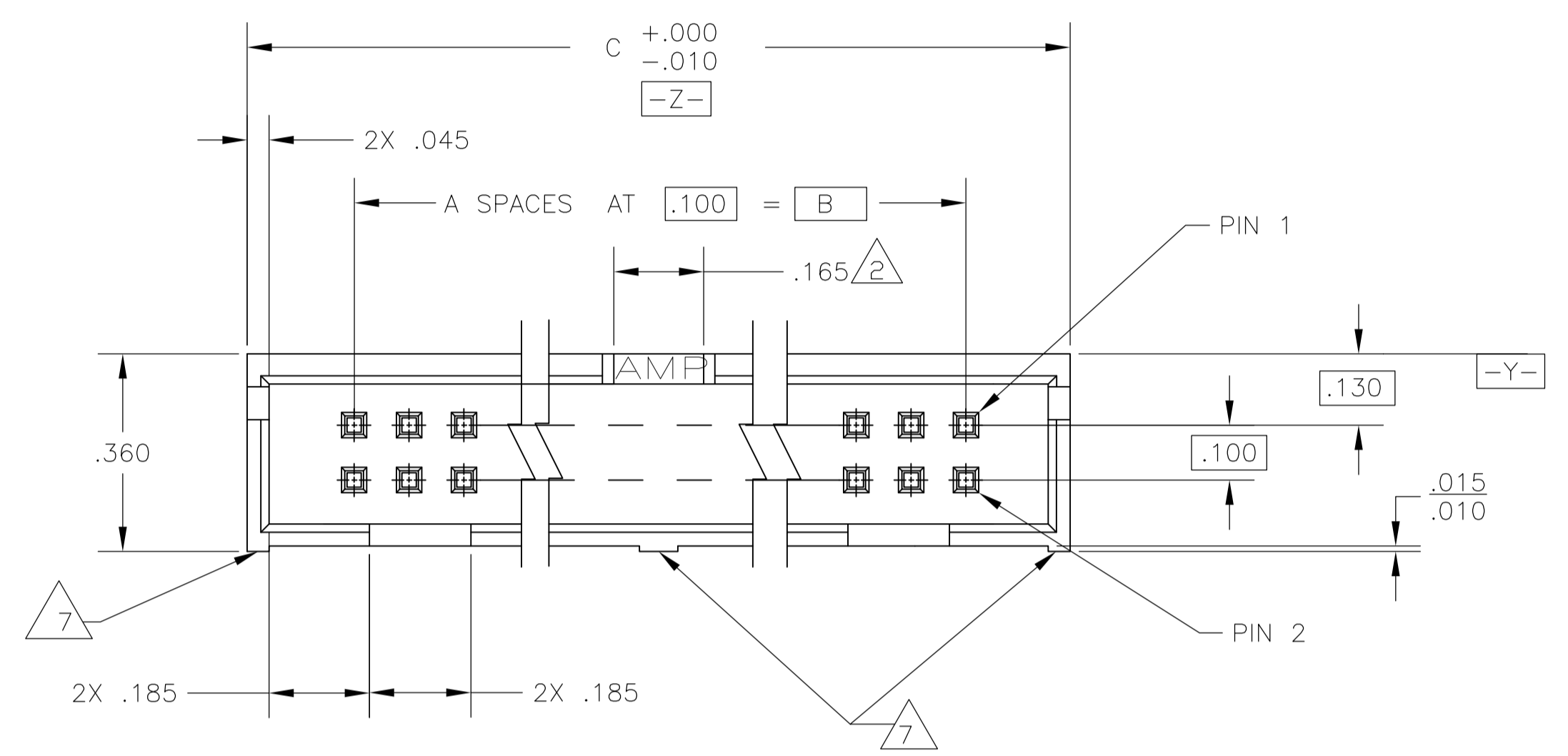


- 1 DOUBLE BAR POLARIZATION SLOTS.
- 2 CENTER POLARIZATION SLOT.
- 3 FOR 10 POSN ASSEMBLY, SLOT OMITTED IN THIS LOCATION.
- 4 DATUMS U AND V TO BE ESTABLISHED BY THE CUSTOMER.
- 5 HOUSING: GLASS FILLED NYLON OR PBT, BLACK, UL 94V-0 RATED. POSTS: BRASS.
- 6 POSTS: GOLD FLASH OVER PALLADIUM-NICKEL PLATE, .000030 MIN TOTAL ON THE MATING SURFACES, .000100 MIN TIN PLATE ON THE SOLDER-TAILS, .000050 MIN NICKEL UNDERPLATE ON THE ENTIRE POST.
-OR-
.000030 MIN GOLD PLATE ON THE MATING SURFACES, .000100 MIN TIN PLATE ON THE SOLDER-TAILS, .000050 MIN NICKEL UNDERPLATE ON THE ENTIRE POST.
- 7 RIBS:
ALL POSITION SIZES: 2 LOCATED AT ENDS OF HOUSING.
20 THRU 34 POSITION SIZES: 1 ADDITIONAL RIB CENTERED ON HOUSING.
40 THRU 50 POSITION SIZES: 2 ADDITIONAL RIBS EVENLY SPACED WITHIN REMAINING LENGTH OF HOUSING.



2.800	2.400	24	50	1-5103309-0
2.300	1.900	19	40	5103309-8
2.000	1.600	16	34	5103309-7
1.600	1.200	12	26	5103309-6
1.300	.900	9	20	5103309-5
1.100	.700	7	16	5103309-3
1.000	.600	6	14	5103309-2
.800	.400	4	10	5103309-1
C	B	A	NO OF POSN	PART NUMBER

THIS DRAWING IS A CONTROLLED DOCUMENT.

DIMENSIONS: INCHES	TOLERANCES UNLESS OTHERWISE SPECIFIED:	0 PLC ± -	1 PLC ± -	2 PLC ± -	3 PLC ± .005	4 PLC ± -	ANGLES ± -
MATERIAL		FINISH		WEIGHT		RESTRICTED TO	

APPROVED: M. WALMSLEY, DATE: 01 NOV 05, NAME: M. WALMSLEY

PRODUCT SPEC: 108-40018

APPLICATION SPEC: -

SIZE: A1, CAGE CODE: 00779, DRAWING NO: 5103309

CUSTOMER DRAWING, SCALE: 4:1, SHEET: 1 OF 1, REV: E1

STE TE Connectivity

HEADER ASSY, VERTICAL, LOW PROFILE, AMP-LATCH