

New Jersey Semi-Conductor Products, Inc.

20 STERN AVE.
 SPRINGFIELD, NEW JERSEY 07081
 U.S.A.

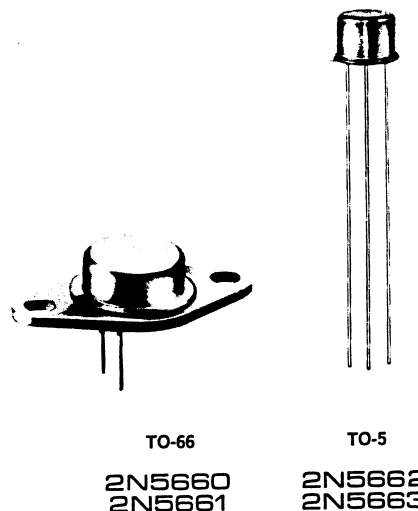
TELEPHONE: (201) 376-292
 (212) 227-600
 FAX: (201) 376-896

SILICON PLANAR NPN
 POWER TRANSISTORS

2N5660-2N5663

2 AMP HIGH VOLTAGE
 SWITCHING TRANSISTORS

- Available as JAN and JANTX types.
- High Operating Voltages: V_{CER} to 400V Min.
- High Operating Voltage: V_{CEO} to 300V Min.
- Fast Switching: T_{ON} 250 nsec.
- Fast Switching: T_{OFF} 850 nsec.
- Low Saturation Voltages: 0.8V max. @ 2A.
- Beta Guaranteed at 4 Current Levels.



Absolute Maximum Ratings

	2N5660 2N5661	2N5662 2N5663
Collector-Base Voltage	250V	400V
Collector-Emitter Voltage, V_{CEO}	200V	300V
V_{CER}	250V	400V
Emitter-Base Voltage	6V	6V
D.C. Collector Current	2A	2A
Peak Collector Current	5A	5A
Power Dissipation at 25°C Ambient Temperature	2.0W	1.2W
Power Dissipation at 100°C Case Temperature	20W	15W
Operating and Storage Temperature Range	-65 to 200°C	

