

40mm sq.

San Ace 40

10mm thick, 15mm thick, 20mm thick
28mm thick (GE type)
28mm thick (GV type), 28mm thick



General Specifications With a pulse sensor

- Material Frame: Plastics (Flammability: UL94V-0),
Impeller: Plastics (Flammability: UL94V-1)
- Life Expectancy Varies for each model (L10: Survival rate: 90% at 60°C, rated voltage, and continuously run in a free air state)
- Lead Wire ⊕red ⊖black or blue (Sensor) yellow
- Storage Temperature -30°C to +70°C (Non-condensing)

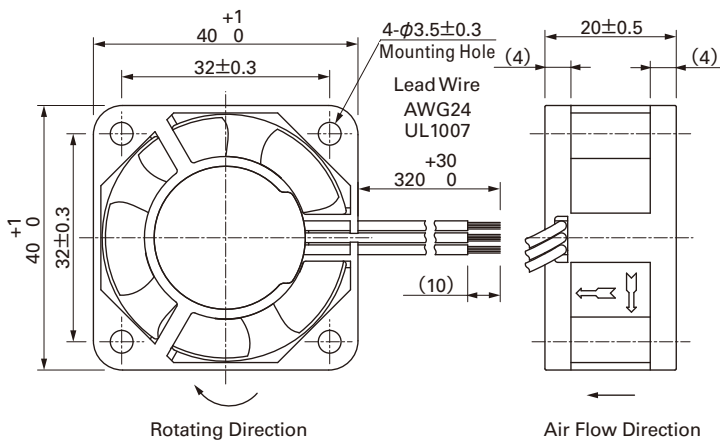
40×40×20mm [Mass : 45g]

Specifications

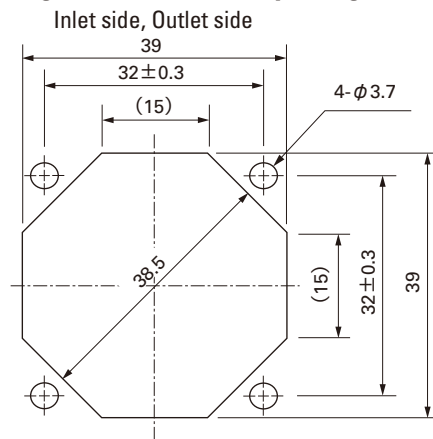
Model No.	Rated Voltage [V]	Operating Voltage Range [V]	Rated Current [A]	Rated Input [W]	Rated Speed [min ⁻¹]	Air Flow [m ³ /min] [CFM]		Static Pressure [Pa] [inchH ₂ O]		SPL [dB(A)]	Operating Temperature [°C]	Life Expectancy [h]
109P0405J601	5	4.5 to 5.5	0.46	2.3	9,800	0.28	9.9	98.5	0.396	39	-10 to +70	40,000
109P0405H601			0.32	1.6	8,000	0.225	8.0	65.7	0.264	33		
109P0405F601			0.25	1.25	6,500	0.183	6.5	45.1	0.181	28		
109P0405M601			0.12	0.60	5,000	0.136	4.8	26.5	0.106	24		
109P0412G601	12	7 to 13.8	0.28	3.36	12,500	0.35	12.4	153.8	0.618	44	-10 to +60	40,000
109P0412D601			0.18	2.16	11,000	0.31	10.9	124	0.498	42		
109P0412H601			0.11	1.32	8,000	0.225	8.0	65.7	0.264	33		
109P0412F601			0.09	1.08	6,500	0.183	6.5	45.1	0.181	28		
109P0412M601			0.06	0.72	5,000	0.136	4.8	26.5	0.106	24		
109P0424D601	24	12 to 27.6	0.13	3.12	11,000	0.31	10.9	124	0.498	42	-10 to +60	40,000
109P0424H601		12 to 27.6	0.07	1.68	8,300	0.233	8.2	69.6	0.280	35	-10 to +70	60,000
109P0424F601		14 to 27.6	0.06	1.44	6,500	0.183	6.5	45.1	0.181	28		

Without Sensor **Pulse Sensor** Available in all models. **Lock Sensor** Please inquire as the availability of these functions depend on the model.

Dimensions (Unit : mm)



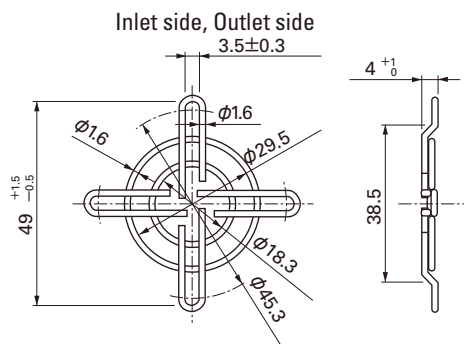
Reference dimension of mounting holes and vent opening (Unit : mm)



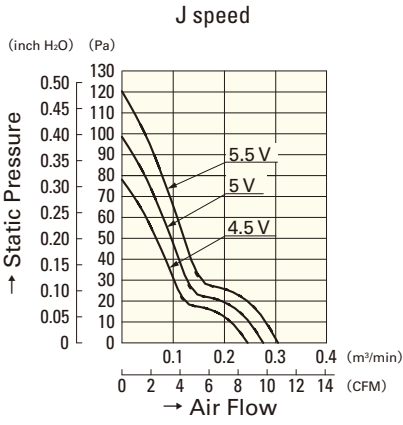
Options (Unit : mm)

Finger guards

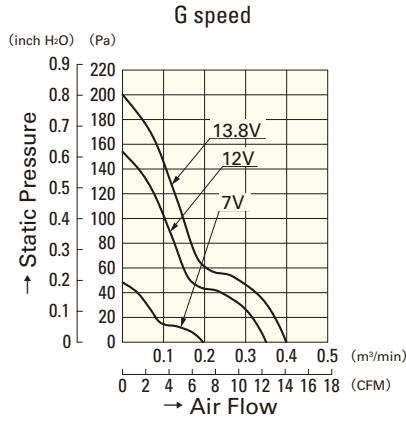
Model : 109-059 Surface treatment : Nickel-chrome plating (silver) Color



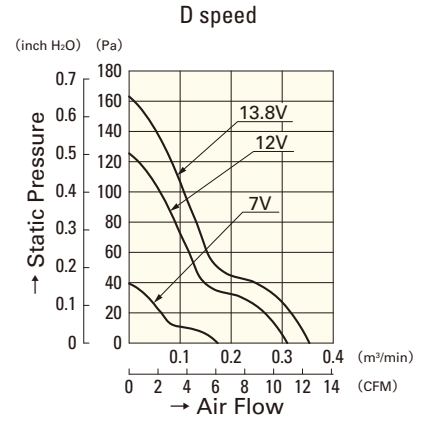
Air Flow and Static Pressure Characteristics



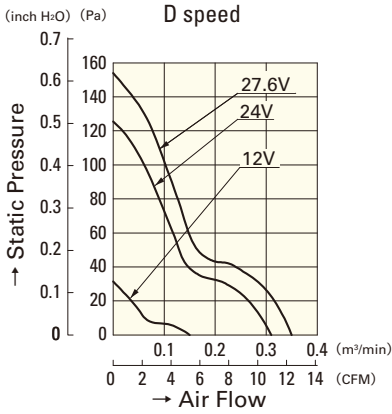
109P0405J601



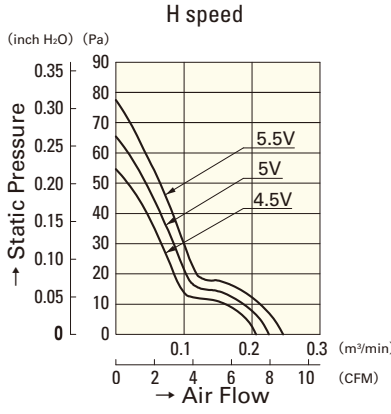
109P0412G601



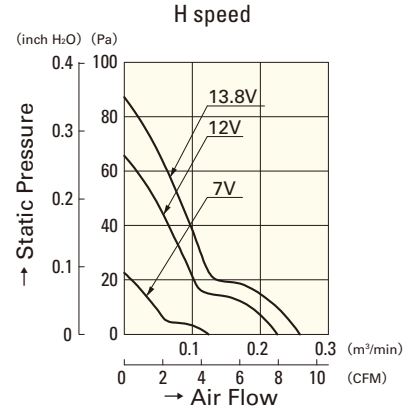
109P0412D601



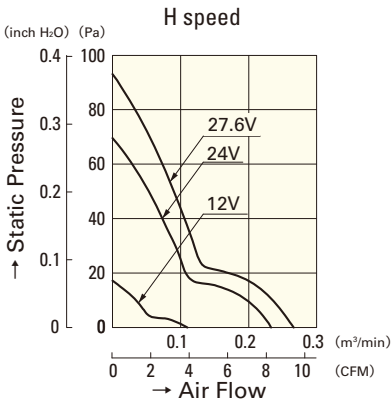
109P0424D601



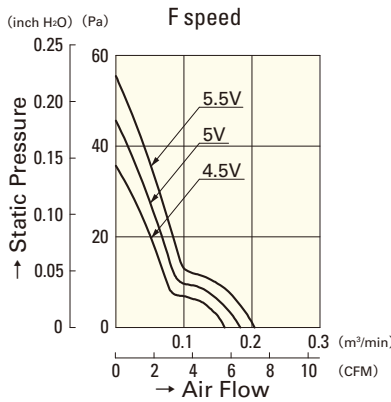
109P0405H601



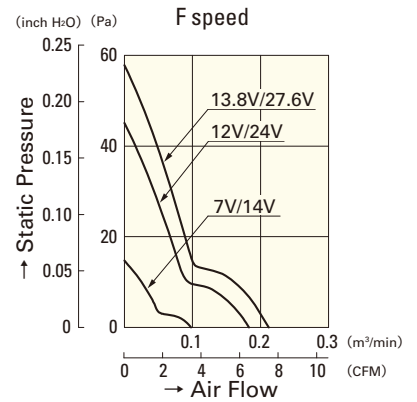
109P0412H601



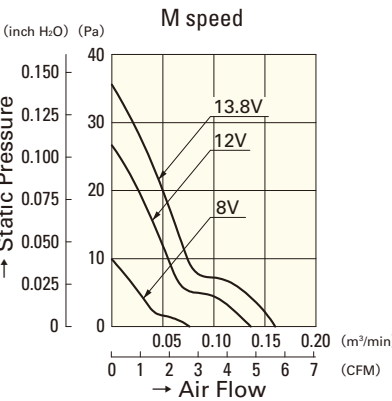
109P0424H601



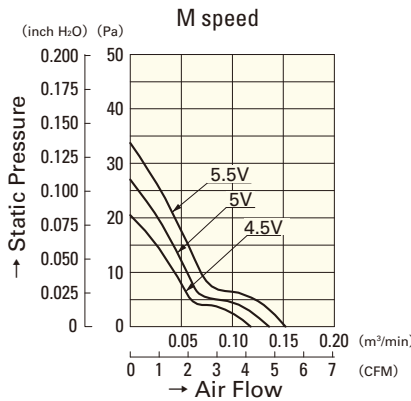
109P0405F601



109P0412F601
109P0424F601



109P0412M601



109P0405M601