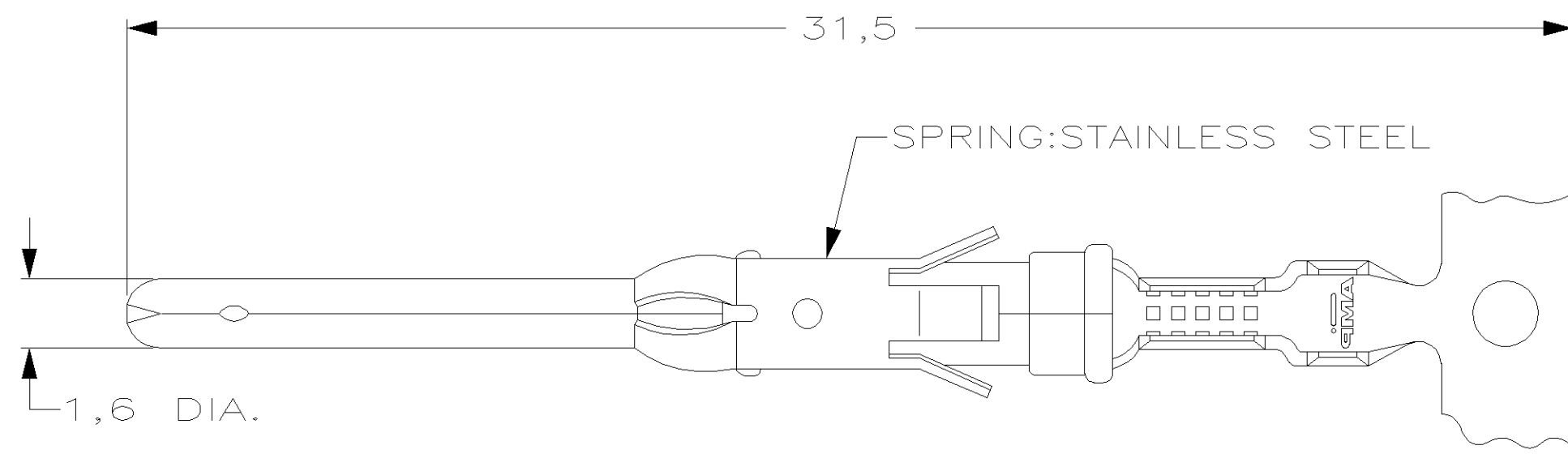
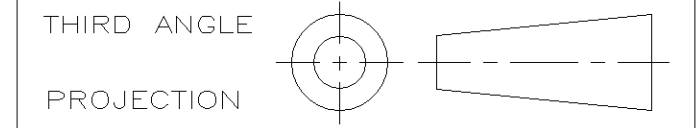
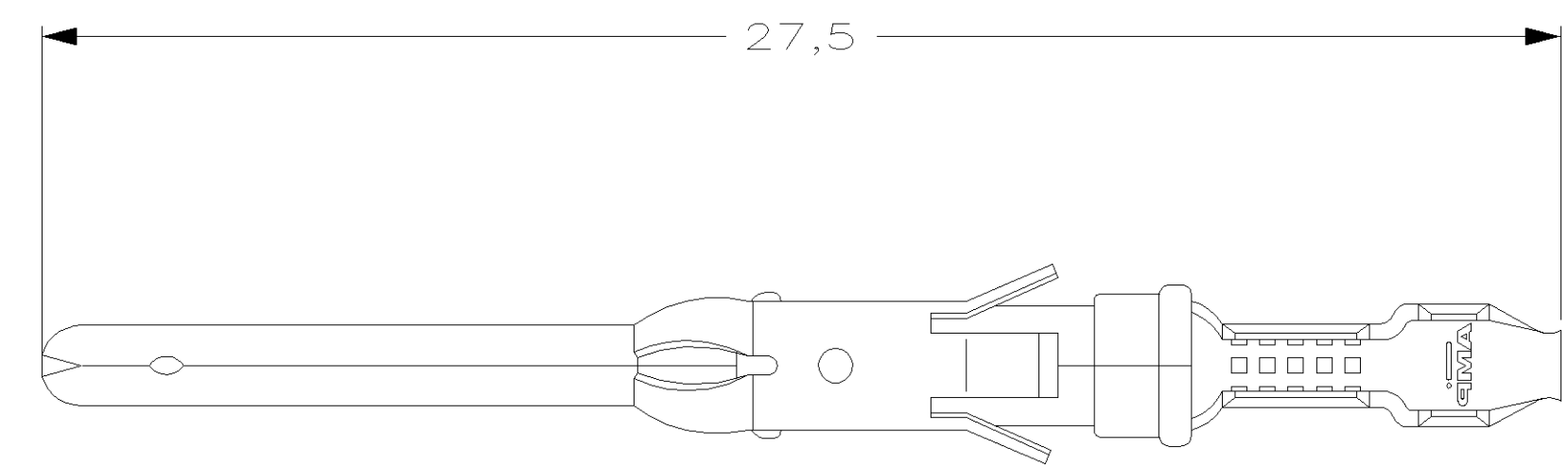


DO NOT SCALE  
DIMENSIONS IN mm

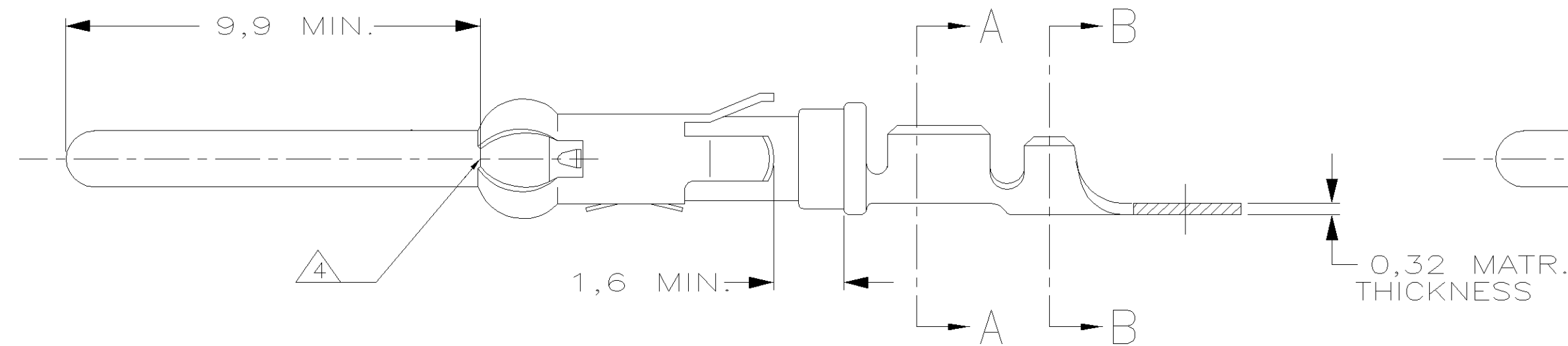
METRIC



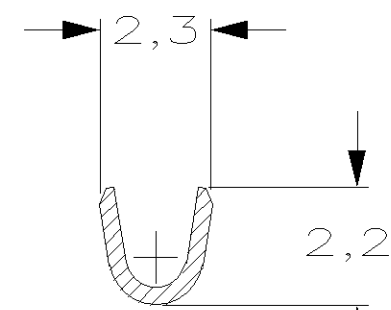
STRIP



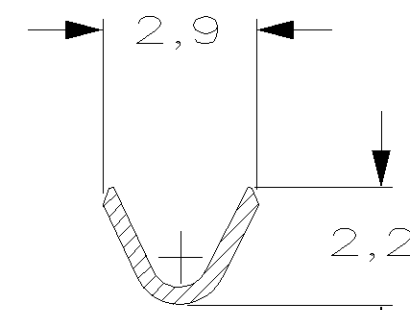
LOOSE-PIECE



COLOR CODE: YELLOW



SECTION A-A



SECTION B-B

WIRE RANGE : 0,20-0,50 mm? (24-20 AWG)  
INSUL. RANGE : 1,1 -1,8 mm (.045-.070)

1-163085-4	△1	△A	1-163086-1	BRASS	EL.TIN	△31	△20
1-163085-3		△A	1-163086-3	BRASS	BR. TIN		△30
5-163085-3	△5	△C		BRASS	ECON.GOLD	△21	
5-163085-2	△1, △5	△C		BRASS	SEL.GOLD	△22	
5-163085-1	△1, △5	△C		BRASS	EL.TIN	△20	
1-163085-2		△B		BRASS	GOLD	△23	
1-163085-1		△A		BRASS	ECON.GOLD	△21	
1-163085-0		△B	1-163086-0	BRASS	ECON.GOLD	△21	
163085-9		△A		BRASS	EL.TIN	△20	
163085-8		△A		BRASS	SEL.GOLD	△22	
163085-2	△1	△B	163086-2	BRASS	SEL.GOLD	△22	
163085-1	△1	△B	163086-1	BRASS	EL.TIN	△20	

AMPOMATOR + MINI-APPL 107-3-FIG.1	△A
107-3-FIG.2	△B
107-3-FIG.4	△C

NOTES	MATERIAL	THICKNESS	AREA
△20	TIN	2,0 μm	ALL OVER
△21	NICKEL GOLD TIN	0,8 μm	ALL OVER CONTACT AREA BARREL
△22	NICKEL GOLD GOLD	0,8 μm	ALL OVER CONTACT AREA ALL OVER
△23	NICKEL GOLD GOLD	1,2 μm	ALL OVER CONTACT AREA ALL OVER
△27	NICKEL SILVER TIN	2,5 μm	ALL OVER CONTACT AREA BARREL
△28	SILVER	0,5 μm	ALL OVER
△29	SILVER	2,5 μm	ALL OVER
△30	NICKEL BRIGHT TIN	1,27 μm 1,27 μm	ALL OVER ALL OVER
△31	LUBRICATED		

AC	EBD0-0463-04	RS	MG	13/12/04	
AB	EBD0-0335-04	JMS	FWK	02/08/04	
V	EB00-0341-02	PB	SS	3 OCT 02	
T1	EH-1189-95	D.K.	R.V.	06 OCT 95	
T	EH-0302-94	JvL	MvD	03-05-94	
S	ECN H-9526	MvD	RD	06-02-92	
R	ECN H-9192	MvD	RD	09-10-91	
LTR.	REVISION RECORD	DR.	CHK.	DATE	
DR.:	-	CHK.:	-	APP.:	-
DATE:	-	DATE:	-	DATE:	-

**CUSTOMER DRAWING** FOR REFERENCE ONLY  
WILL NOT BE UPDATED

© COPYRIGHT 19 - BY AMP HOLLAND B.V.  
ALL INTERNATIONAL RIGHTS RESERVED. AMP PRODUCTS MAY BE  
COVERED BY U.S. AND FOREIGN AND/OR PATENTS PENDING.  
THIS DRAWING IS UNPUBLISHED  
RELEASED FOR PUBLICATION - ,19 -

**AMP** | AMP HOLLAND B.V.  
's-Hertogenbosch,  
The Netherlands.

NAME  
**TYPE\_III\_PIN\_CONTACT**  
SIZE\_16

DWG.No. **163085** REV.LTR. **AC** SHEET 1 OF 1 **A3**

- NOTES :
- △1 U.L.RECONIZED UNDER FILE E28476 VOL.VI SEC.I
  - 2 FOR CRIMPDETAILS SEE AMP-SPEC. 114-19.000 .
  - 3 MEETS PRODUCTSPECIFICATION 108-10042.
  - △4 0,40 MAX. GAP BETWEEN SPRING-NOSE AND CONTACT BODY.
  - △5 SPECIAL REEL WITH 200 PCS FOR REEL-FED HAND-TOOL