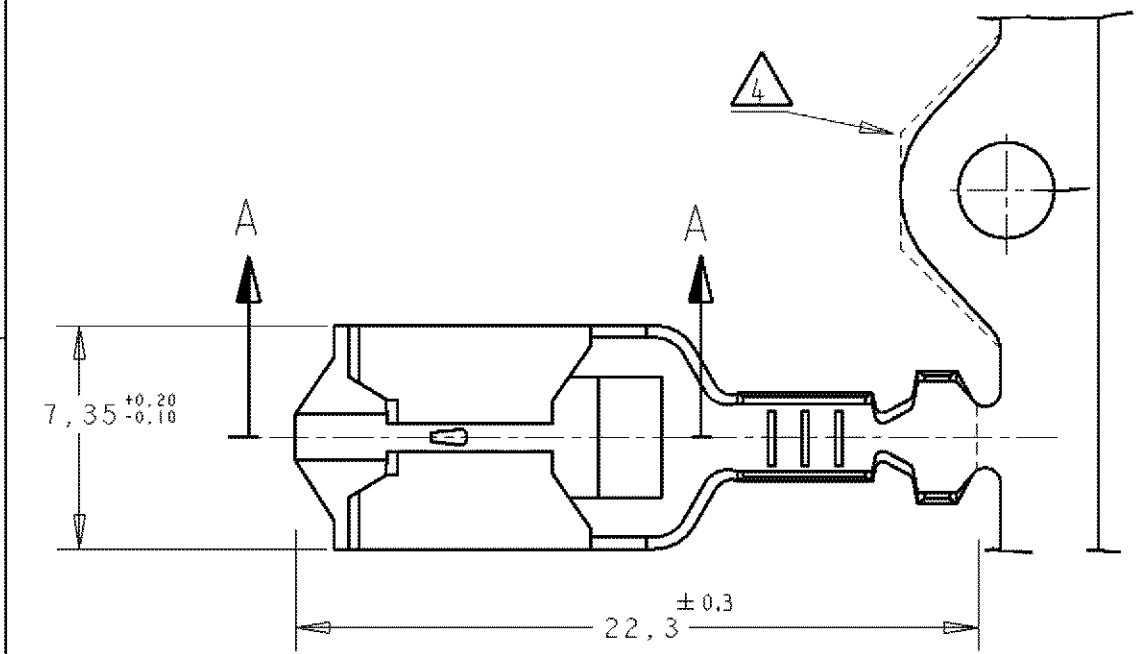
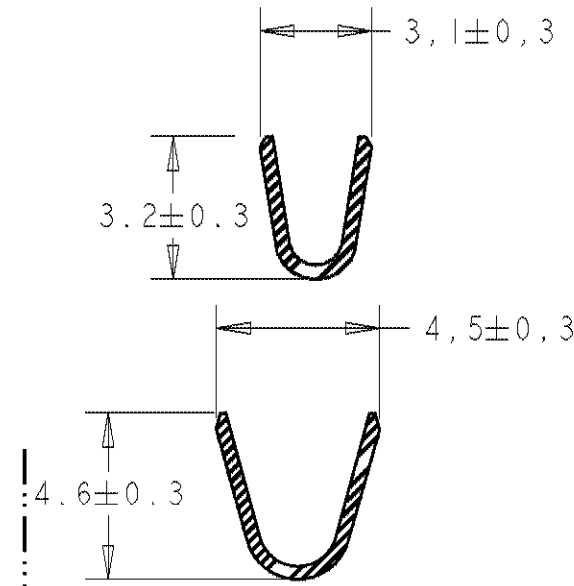
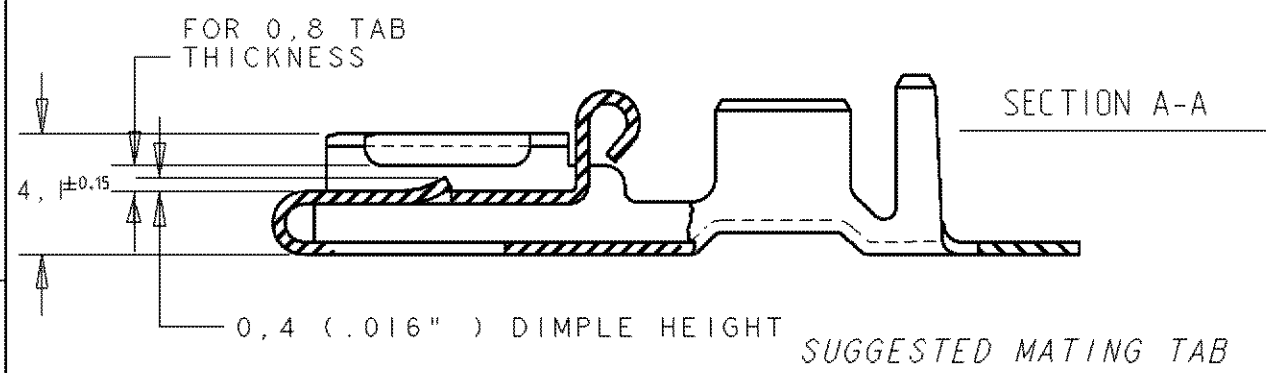
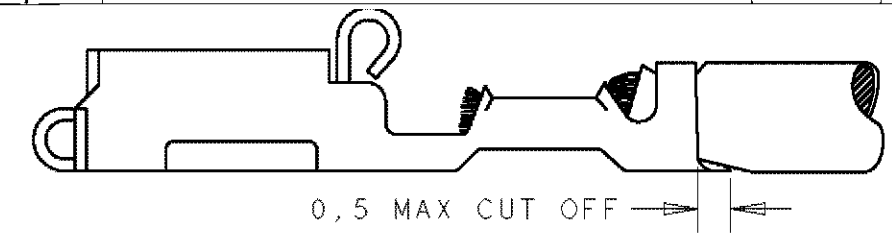


THIS DRAWING IS UNPUBLISHED. RELEASED FOR PUBLICATION 20
 © COPYRIGHT 20 BY TYCO ELECTRONICS CORPORATION. ALL RIGHTS RESERVED.

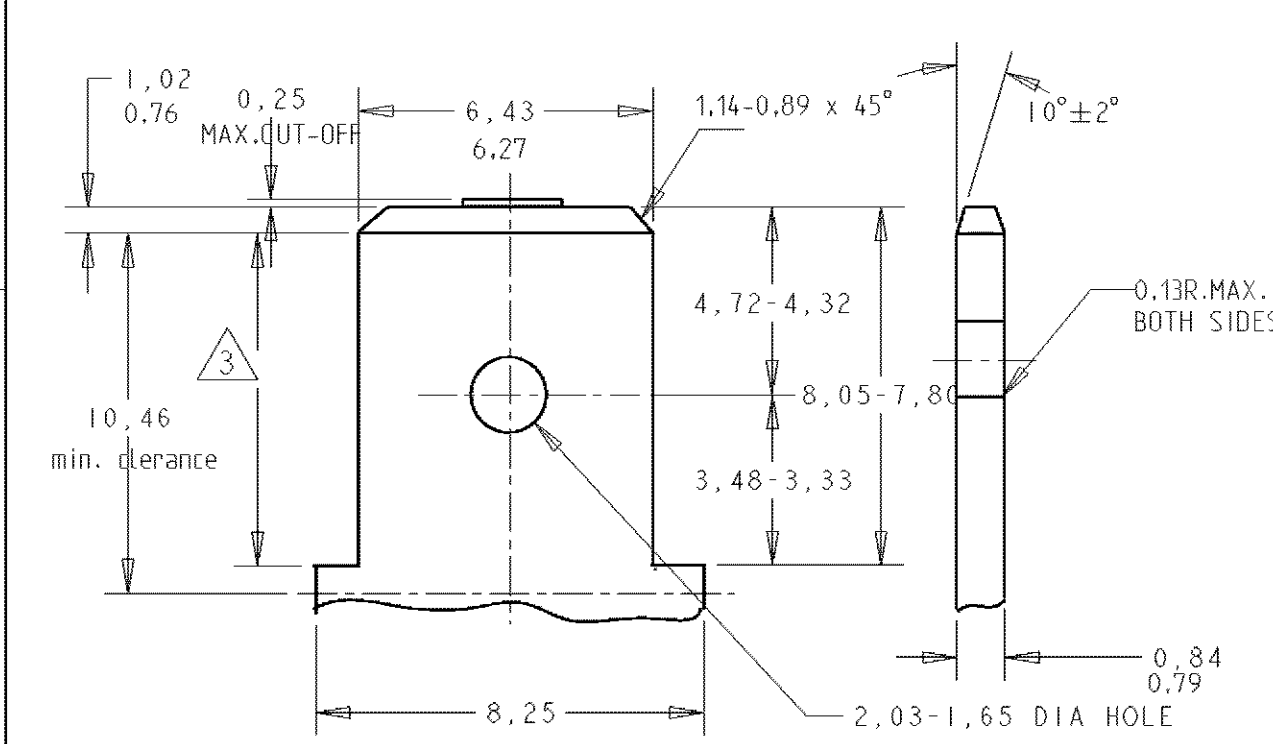
LOC	DIST	REVISIONS			
P	LTR	DESCRIPTION	DATE	DWN	APVD
AL	2	AC	REVISED BY ES00-0040-02	02APR02	J.L J.L
		AD	REVISED BY ES00-05-0095	14/DEC/05	J.L JL
		AD1	REVISED PER ECO-10-000444	09JAN10	KK AEG
		AD2	ECR-10-009742	29JUN10	RK SRE
		AD3	ADDED NEW DASH 3-160759-4	22MAR11	J.S. L.B.
		AD4	UPDATED TE CONNECTIVITY LOGO	04APR2011	J.S. L.B.



- NOTES:
- FOR USE ON STANDARD APPLICATOR (RIGHT-LEFT FEED)
 - FOR USE ON MINIATURE APPLICATOR (LEFT-RIGHT FEED)
 - FOR USE ON MINIATURE APPLICATOR (LEFT-RIGHT FEED) AMPOMATOR APPLICATION.
 - CONFIGURATION OF CARRIER-STRIP OPTIONAL
 - OBsolete PARTS: OBsolete CIS STREAMLINING PER D.RENAUD/D.SINISI



- SUGGESTED MATING TAB
- 1- MATL 1/2H BRASS OR NICKEL PL. STEEL.
 - 2- NO BURRS PERMISSIBLE AT HOLE
 - 3- MUST BE FLAT WITHIN 0.076 OVER THIS LENG.
 - 4- TIN PLATING IS REQUIRED ON BRASS WHEN TERMINAL TEM. IS OVER 225°F
 - 5- HOLE MUST BE SYMETRICAL ABOUT TAB ϕ WITHIN 0.076



FINISH	MATERIAL	PARTNUMBER
UNPLATED & DEGREASED	NICKEL SILVER	3-160759-4
UNPLATED	NICKEL SILVER	3-160759-3
OBsolete	NICKEL SILVER	3-160759-3
TIN PLATED	PH.BRONZE	3-160759-0
UNPLATED	NICKEL SILVER	2-160759-9
OBsolete	PH.BRONZE	2-160759-8
SUPERSEDED BY 160759-4	TIN-LEAD	2-160759-7
OBsolete	SILVERPLATED	2-160759-6
OBsolete	UNPLATED	2-160759-5
OBsolete	HOT DIP PRETIN.	2-160759-4
OBsolete	TIN PLATED	2-160759-3
OBsolete	NICKEL PLATED	2-160759-2
OBsolete	NICKEL PLATED	2-160759-1
OBsolete	SILVERPLATED	2-160759-0
OBsolete	SILVERPLATED	1-160759-9
OBsolete	HOT DIP PRETIN.	1-160759-4
OBsolete	HOT DIP PRETIN.	1-160759-3
OBsolete	HOT DIP PRETIN.	1-160759-2
OBsolete	HOT DIP PRETIN.	1-160759-1
OBsolete	PRETINNED	1-160759-0
OBsolete	TIN PLATED	0-160759-9
OBsolete	TIN PLATED	0-160759-8
OBsolete	UNPLATED	0-160759-7
OBsolete	UNPLATED	0-160759-6
OBsolete	PRETINNED	0-160759-5
OBsolete	TIN PLATED	0-160759-4
OBsolete	TIN PLATED	0-160759-3
OBsolete	UNPLATED	0-160759-2
OBsolete	UNPLATED	0-160759-1

THIS DRAWING IS A CONTROLLED DOCUMENT FOR TYCO ELECTRONICS CORPORATION IT IS SUBJECT TO CHANGE AND THE CONTROLLING ENGINEERING ORGANIZATION SHOULD BE CONTACTED FOR THE LATEST REVISION.

DIMENSIONS:	TOLERANCES UNLESS OTHERWISE SPECIFIED:
mm	0 PLC ±
	1 PLC ±
	2 PLC ±0.3 GENERAL
	3 PLC ±
	4 PLC ±
	ANGLES ±
MATERIAL	FINISH
SEE TABLE	SEE TABLE

DWN	J.Z	16-11-95	
CHR	A. BIJNEN	17-11-95	
APVD	-	-	NAME
PRODUCT SPEC	108-3017	-	POSITIVE LOCK REC. .250 (6,35) SERIES
APPLICATION SPEC	-	-	RESTRICTED TO
WEIGHT	-	-	SIZE
CUSTOMER DRAWING	A3	00779	CAGE CODE
SCALE	-	-	DRAWING NO
SHEET	-	-	160759
OF	-	-	REV
AD4	-	-	