

# μPD166017T1F

## INTELLIGENT POWER DEVICE

 R07DS0704EJ0100  
 Rev.1.00  
 Apr 26, 2012

## 1. Overview

### 1.1 Description

μPD166017 is a Single 6 mΩ N-channel high-side driver in space saving TO-252 package. The device has many integrated features to enable the successful design of high side load control circuits.

### 1.2 Features

- Low on-state resistance: 6 mΩ (MAX. at 25°C)
- Small package: JEDEC 5-pin TO-252
- Built-in charge pump
- Short circuit protection
  - Shutdown by over current detection and over load detection
- Over temperature protection
  - Shutdown with auto-restart on cooling
- Built-in diagnostic function
  - Proportional load current sensing
  - Defined fault signal in case of abnormal load condition
- Under voltage lock out
- Reverse battery protection by self turn on of N-ch MOSFET
- AEC-Q100 Qualified
- RoHS compliant with pure tin plating

### 1.3 Application

- Incandescent light bulb (55 W to 65 W) switching with PWM control
- Switching of all types of 14 V DC grounded loads, such as LED lighting, resistive heating elements, inductive and capacitive loads.
- Replacement of fuse and relay

## 2. Ordering Information

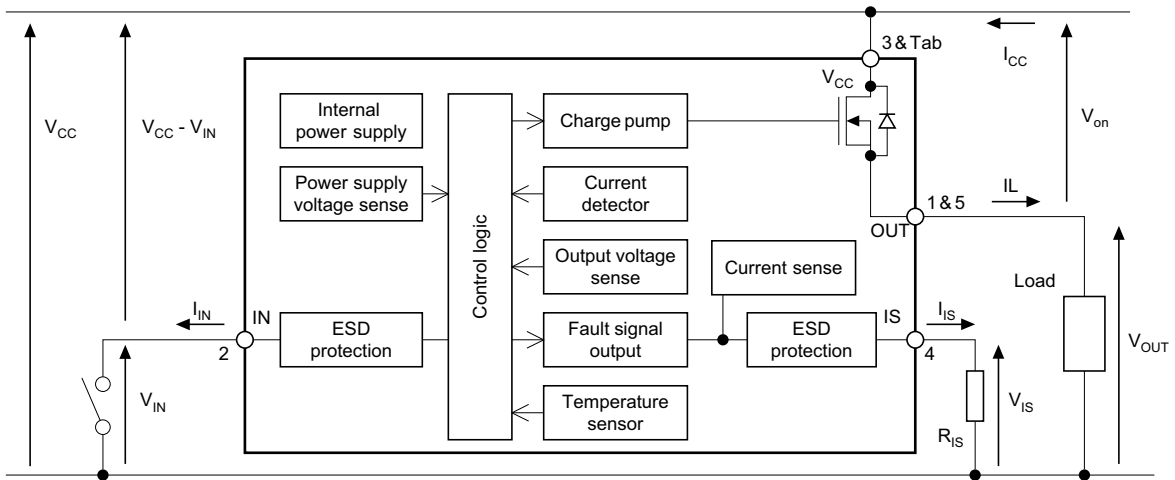
Part No.	Lead Plating	Packing	Package
μPD166017T1F-E1-AY *1	Pure Mate Sn	Tape 2500 p/reel	5-pin TO-252 (MP-3ZK)

Note: \*1 Pb-free (This product does not contain Pb in the external electrode.). MSL: 3, profile acc. J-STD-20C

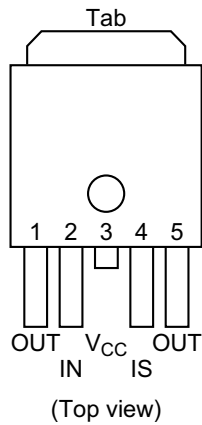
Note: The information contained in this document is the one that was obtained when the document was issued, and may be subject to change.

### 3. Specification

#### 3.1 Block Diagram



#### 3.2 Pin Arrangement



##### 3.2.1 Pin Function

Pin No.	Pin Name	Pin Function	Recommended Connection
1	OUT	Output to load	Pin 1 and Pin 5 must be externally shorted
2	IN	Activates the output, if it shorted to ground	If reverse battery protection feature is used, refer to "Power Dissipation under Reverse Battery Condition"
3/Tab	V <sub>CC</sub>	Supply voltage: tab and pin 3 are internally shorted	Connected to battery voltage with small 100 nF capacitor in parallel
4	IS	Sense output, diagnostic feedback	If current sense and diagnostic feature are not used, connected to GND via resistor
5	OUT	Output to load	Pin 1 and Pin 5 must be externally shorted

### 3.3 Absolute Maximum Ratings

( $T_A = 25^\circ\text{C}$ , unless otherwise specified)

Parameter	Symbol	Rating	Unit	Test Conditions	
$V_{CC}$ voltage	$V_{CC1}$	28	V		
$V_{CC}$ voltage under load dump condition	$V_{CC2}$	42	V	$R_I = 1 \Omega$ , $R_L = 1.5 \Omega$ , $R_{IS} = 1 \text{ k}\Omega$ , $t_d = 400 \text{ ms}$	
$V_{CC}$ voltage at reverse battery condition	$-V_{CC}$	-16	V	$R_L = 1.5 \Omega$ , 1 min.	
Load current (short circuit current)	$I_{L(SC)}$	Self limited	A		
Total power dissipation for whole device (DC)	$P_D$	1.2	W	$T_A = 85^\circ\text{C}$ , Device on 50 mm × 50 mm × 1.5 mm epoxy PCB FR4 with 6 cm <sup>2</sup> of 70 μm copper area	
Voltage of IN pin	$V_{IN}$	$V_{CC} - 28$	V	DC	
		$V_{CC} + 14$		At reverse battery condition, $t < 1 \text{ min.}$	
Voltage of IS pin	$V_{IS}$	$V_{CC} - 28$	V	DC	
		$V_{CC} + 14$		At reverse battery condition, $t < 1 \text{ min.}$	
Inductive load switch-off energy dissipation single pulse	$E_{AS1}$	50	mJ	$V_{CC} = 12 \text{ V}$ , $I_L = 10 \text{ A}$ , $T_{ch,start} < 150^\circ\text{C}$	
Maximum allowable energy dissipation at shutdown operation	$E_{AS2}$	105	mJ	$V_{CC} = 18 \text{ V}$ , $T_{ch,start} < 150^\circ\text{C}$ , $L_{supply} = 5 \mu\text{H}$ , $L_{short} = 15 \mu\text{H}$	
Channel temperature	$T_{ch}$	-40 to +150	°C		
Dynamic temperature increase while switching	$\Delta T_{ch}$	60	°C		
Storage temperature	$T_{stg}$	-55 to +150	°C		
ESD susceptibility	$V_{ESD}$	2000	V	HBM	AEC-Q100-002 std. $R = 1.5 \text{ k}\Omega$ , $C = 100 \text{ pF}$
		200	V	MM	AEC-Q100-003 std. $R = 0 \Omega$ , $C = 200 \text{ pF}$

Note: All voltages refer to ground pin of the device.

### 3.4 Thermal Characteristics

Parameter	Symbol	MIN.	TYP.	MAX.	Unit	Test Conditions
Thermal characteristics	$R_{th(ch-a)}$	—	45	—	°C/W	Device on 50 mm × 50 mm × 1.5 mm epoxy PCB FR4 with 6 cm <sup>2</sup> of 70 μm copper area
	$R_{th(ch-c)}$	—	1.7	—	°C/W	

### 3.5 Electrical Characteristics

#### 3.5.1 Operation Function

( $T_{ch} = 25^{\circ}\text{C}$ ,  $V_{CC} = 12\text{ V}$ , unless otherwise specified)

Parameter	Symbol	MIN.	TYP.	MAX.	Unit	Test Conditions
Required current capability of Input switch	$I_{IH}$	—	1.4	3.0	mA	$T_{ch} = -40$ to $150^{\circ}\text{C}$
Input current for turn-off	$I_{IL}$	—	—	50	μA	
Standby current	$I_{CC(off)}$	—	—	0.5	μA	$R_L = 1.0\ \Omega$ , $I_{in} = 0\text{ A}$ , $T_{ch} = 25^{\circ}\text{C}$
		—	—	15		$R_L = 1.0\ \Omega$ , $I_{in} = 0\text{ A}$ , $T_{ch} = 125^{\circ}\text{C}$
		—	—	50		$R_L = 1.0\ \Omega$ , $I_{in} = 0\text{ A}$ , $T_{ch} = -40$ to $150^{\circ}\text{C}$
On state resistance	$R_{on}$	—	4.7	6.0	mΩ	$I_L = 15\text{ A}$ , $T_{ch} = 25^{\circ}\text{C}$
		—	7.9	10.5		$I_L = 15\text{ A}$ , $T_{ch} = 150^{\circ}\text{C}$
Turn on time	$t_{on}$	—	170	500	μs	$R_L = 1.0\ \Omega$ , $T_{ch} = -40$ to $150^{\circ}\text{C}$ , refer to "Measurement Condition"
Turn off time	$t_{off}$	—	220	600	μs	
Slew rate on <sup>*1</sup>	$dv/dton$	—	0.2	0.6	V/μs	25 to 50% $V_{OUT}$ , $R_L = 1.0\ \Omega$ , $T_{ch} = -40$ to $150^{\circ}\text{C}$ , refer to "Measurement Condition"
Slew rate off <sup>*1</sup>	$-dv/dtoff$	—	0.2	0.5	V/μs	50 to 25% $V_{OUT}$ , $R_L = 1.0\ \Omega$ , $T_{ch} = -40$ to $150^{\circ}\text{C}$ , refer to "Measurement Condition"

Note: \*1 Not tested, specified by design

3.5.2 Protection Function

(T<sub>ch</sub> = 25°C, V<sub>CC</sub> = 12 V, unless otherwise specified)

Parameter	Symbol	MIN.	TYP.	MAX.	Unit	Test Conditions	
On-state resistance at reverse battery condition *1	R <sub>on(rev)</sub>	—	5.4	7.0	mΩ	T <sub>ch</sub> = 25°C	V <sub>CC</sub> = -12 V, I <sub>L</sub> = -7.5 A, R <sub>IS</sub> = 1 kΩ
		—	8.9	12.3		T <sub>ch</sub> = 150°C	
Short circuit detection current	I <sub>L6,3(SC)</sub>	—	40	130	A	T <sub>ch</sub> = -40°C	V <sub>CC</sub> = 6 V, V <sub>on</sub> = 3 V
		20	35	—		T <sub>ch</sub> = 25°C	
		10	25	—		T <sub>ch</sub> = 150°C	
	I <sub>L6,6(SC)</sub> *1	—	30	100		T <sub>ch</sub> = -40°C	V <sub>CC</sub> = 6 V, V <sub>on</sub> = 6 V
		—	25	—		T <sub>ch</sub> = 25°C	
		5	20	—		T <sub>ch</sub> = 150°C	
	I <sub>L12,3(SC)</sub> *1	—	155	240		T <sub>ch</sub> = -40°C	V <sub>CC</sub> = 12 V, V <sub>on</sub> = 3 V
		76	135	—		T <sub>ch</sub> = 25°C	
		40	95	—		T <sub>ch</sub> = 150°C	
	I <sub>L12,6(SC)</sub> *1	—	130	230		T <sub>ch</sub> = -40°C	V <sub>CC</sub> = 12 V, V <sub>on</sub> = 6 V
		—	110	—		T <sub>ch</sub> = 25°C	
		30	80	—		T <sub>ch</sub> = 150°C	
	I <sub>L12,12(SC)</sub> *1	—	109	180		T <sub>ch</sub> = -40°C	V <sub>CC</sub> = 12 V, V <sub>on</sub> = 12 V
		—	95	—		T <sub>ch</sub> = 25°C	
		10	76	—		T <sub>ch</sub> = 150°C	
	I <sub>L18,3(SC)</sub> *1	—	185	250		T <sub>ch</sub> = -40°C	V <sub>CC</sub> = 18 V, V <sub>on</sub> = 3 V
		—	160	—		T <sub>ch</sub> = 25°C	
		50	120	—		T <sub>ch</sub> = 150°C	
	I <sub>L18,6(SC)</sub> *1	—	153	220		T <sub>ch</sub> = -40°C	V <sub>CC</sub> = 18 V, V <sub>on</sub> = 6 V
		—	133	—		T <sub>ch</sub> = 25°C	
		50	100	—		T <sub>ch</sub> = 150°C	
	I <sub>L18,12(SC)</sub> *1	—	112	170		T <sub>ch</sub> = -40°C	V <sub>CC</sub> = 18 V, V <sub>on</sub> = 12 V
		—	98	—		T <sub>ch</sub> = 25°C	
		30	73	—		T <sub>ch</sub> = 150°C	
I <sub>L18,18(SC)</sub> *1	—	92	140	T <sub>ch</sub> = -40°C	V <sub>CC</sub> = 18 V, V <sub>on</sub> = 18 V		
	—	80	—	T <sub>ch</sub> = 25°C			
	5	64	—	T <sub>ch</sub> = 150°C			
Turn-on check delay after input current positive slope	t <sub>d(OC)</sub>	0.9	2.1	3.8	ms	T <sub>ch</sub> = -40 to 150°C	
Remaining Turn-on check delay after turn-on time	t <sub>d(OC)</sub> -t <sub>on</sub>	0.65	1.9	—	ms	R <sub>L</sub> = 1.0 Ω, T <sub>ch</sub> = -40 to 150°C	
Over load detection voltage 1	V <sub>on(OvL)1</sub>	0.45	0.65	0.90	V	T <sub>ch</sub> = -40 to 150°C	
Over load detection voltage 2	V <sub>on(OvL)2</sub>	0.20	0.30	0.50	V	T <sub>ch</sub> = -40 to 150°C	
Under voltage shutdown	V <sub>CIN(Uv)</sub>	—	—	5.8	V	T <sub>ch</sub> = -40°C	
		3.6	4.5	5.4		T <sub>ch</sub> = 25°C	
		3.2	—	—		T <sub>ch</sub> = 150°C	
Under voltage restart of charge pump	V <sub>CIN(CPr)</sub>	—	—	6.5	V	T <sub>ch</sub> = -40°C	
		4.1	5.1	6.0		T <sub>ch</sub> = 25°C	
		3.7	—	—		T <sub>ch</sub> = 150°C	
Output clamp voltage (inductive load switch off)	V <sub>on(CL)</sub>	37	48	62	V	I <sub>L</sub> = 40 mA, T <sub>ch</sub> = -40 to 150°C	
Thermal shutdown temperature *1	T <sub>th</sub>	150	175	—	°C		
Thermal hysteresis *1	ΔT <sub>th</sub>	—	10	—	°C		

Note: \*1 Not tested, specified by design

3.5.3 Diagnosis Function

(T<sub>ch</sub> = 25°C, V<sub>CC</sub> = 12 V, unless otherwise specified)

Parameter	Symbol	MIN.	TYP.	MAX.	Unit	Test Conditions		
Current sense ratio	K <sub>ILIS</sub>					K <sub>ILIS</sub> = I <sub>L</sub> /I <sub>IS</sub> , I <sub>IS</sub> < I <sub>IS,lim</sub>		
		15600	19000	22500		T <sub>ch</sub> = -40°C	I <sub>L</sub> = 20 A	
		16100	19100	22300		T <sub>ch</sub> = 25°C		
		16500	19200	22000		T <sub>ch</sub> = 150°C		
								I <sub>L</sub> = 10 A
		14200	18800	24100		T <sub>ch</sub> = -40°C		
		15100	18800	22900		T <sub>ch</sub> = 25°C		
								I <sub>L</sub> = 4.0 A
		16300	19000	22500		T <sub>ch</sub> = 150°C		
10100	19000	34400		T <sub>ch</sub> = -40°C				
Sense current offset current	I <sub>IS,offset</sub>	—	—	60	μA	V <sub>IN</sub> = 0 V, I <sub>L</sub> = 0 A		
Sense current under fault condition	I <sub>IS,fault</sub>	3.5	6.0	12.0	mA	Under fault conditions, 8 V < V <sub>CC</sub> - V <sub>IS</sub> < 12 V, T <sub>ch</sub> = -40 to 150°C		
Sense current saturation current	I <sub>IS,lim</sub>	2.5	5.0	8.4	mA	V <sub>IS</sub> < V <sub>OUT</sub> - 6 V, T <sub>ch</sub> = -40 to 150°C		
Fault sense signal delay after short circuit detection *1	t <sub>sdelay(fault)</sub>	—	2	6	μs	T <sub>ch</sub> = -40 to 150°C		
Sense current leakage current	I <sub>IS(LL)</sub>	—	—	0.5	μA	I <sub>IN</sub> = 0 A, T <sub>ch</sub> = -40 to 150°C		
Current sense settling time to I <sub>IS</sub> (static) after input current positive slope *1	t <sub>son(IS)</sub>	—	—	700	μs	T <sub>ch</sub> = -40 to 150°C, R <sub>L</sub> = 1.0 Ω, I <sub>IS</sub> = 85% K <sub>ILIS</sub>		
Current sense settling time during on condition *1	T <sub>sic(IS)</sub>	—	50	100	μs	T <sub>ch</sub> = -40 to 150°C, I <sub>L</sub> = 10 A □ 20 A		

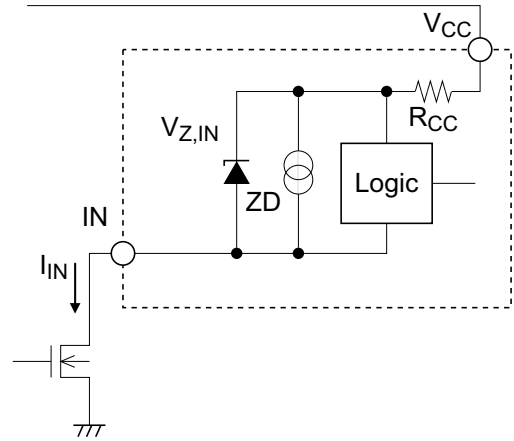
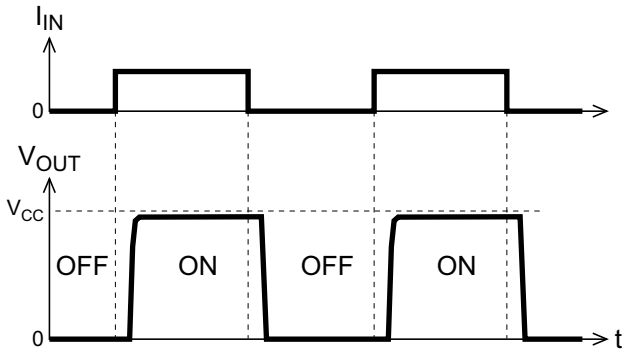
Note: \*1 Not tested, specified by design

### 3.6 Function Description

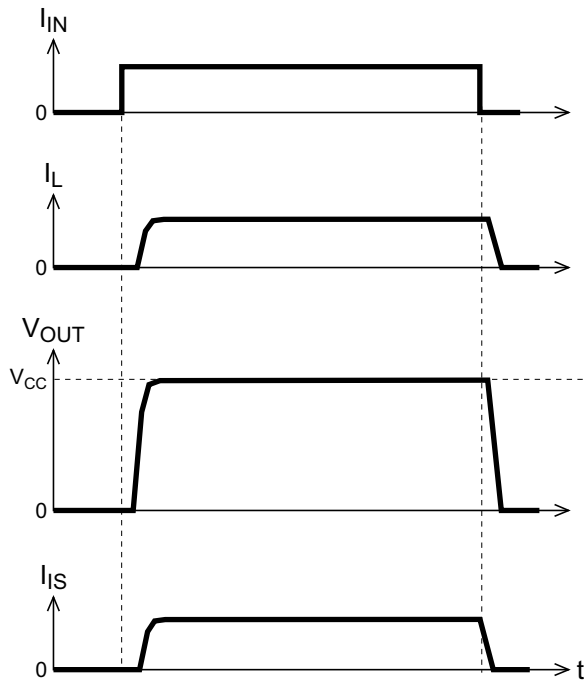
#### 3.6.1 Driving Circuit

The driver output turns on, when the input pin is connected to ground through a low impedance path allowing a current of  $I_{IH}$ . The driver output turns off, when the input current gets below  $I_{IL}$ . For Input pin control circuit design when active reverse battery connection is needed, refer to paragraph 3.6.3.

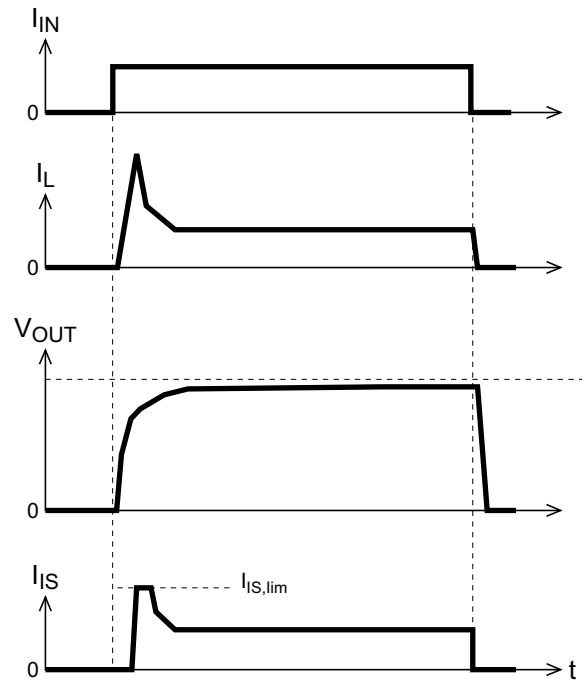
$R_{CC}$  is 100 Ω TYP. ESD protection diode: 46 V TYP.



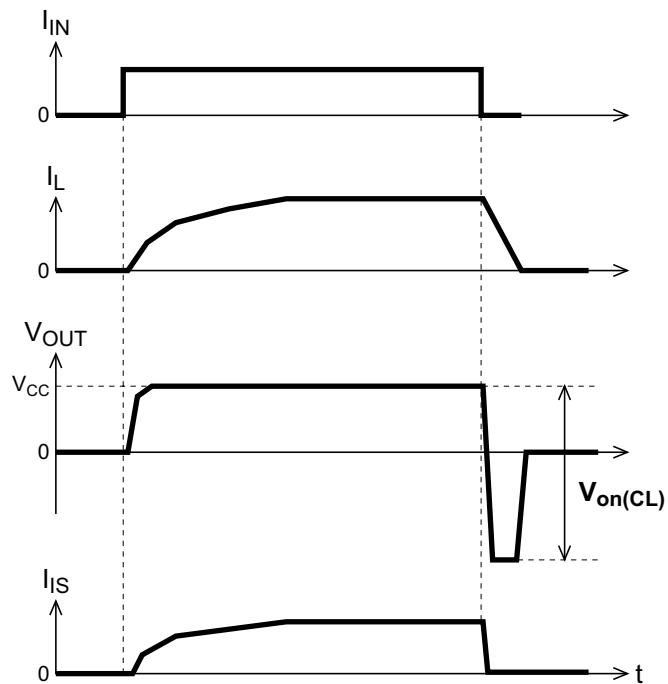
Switching a resistive load



Switching lamps



### Switching an inductive load



#### Avalanche behavior at inductive load switch off

When an inductive load is switched off, the power MOS portion goes into avalanche behavior. Maximum allowable energy in avalanche behavior is specified in "Absolute Maximum Ratings" as  $E_{AS1}$ .

The energy dissipation for an inductive load switch-off single pulse in device ( $E_{AS1}$ ) is estimated by the following formula as  $R_L = 0 \Omega$ .

$$E_{AS1} = \frac{1}{2} \cdot I^2 \cdot L \left( \frac{V_{on(CL)}}{V_{on(CL)} - V_{CC}} \right)$$



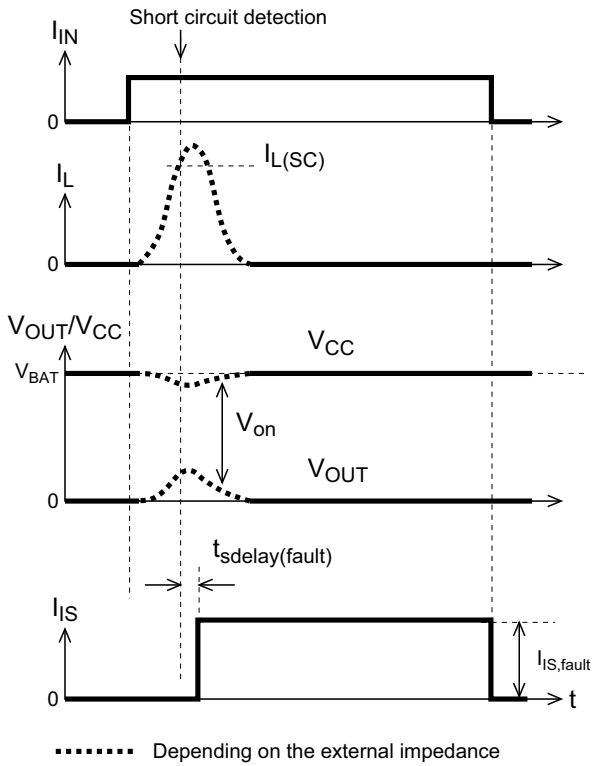
### 3.6.2 Short Circuit Protection

Case 1:  $I_{IN}$  pin is shorted to ground in an overload condition, which includes a short circuit condition.

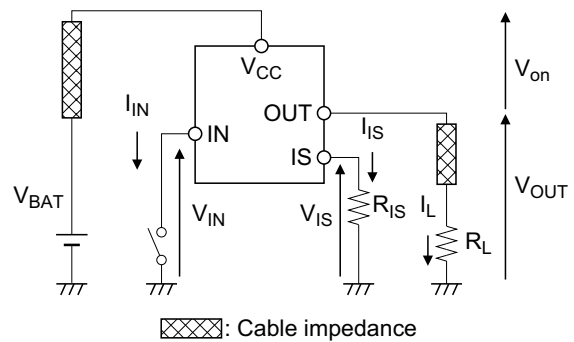
The device shuts down automatically when either or both of following conditions (a, b) are detected. The sense current is fixed at  $I_{IS, fault}$ . Shutdown is latched until the next reset via input.

- (a)  $I_L > I_{L(SC)}$
- (b)  $V_{on} > V_{on(OvL)1}$  after  $t_{d(OC)}$

Case 1-(a)  $I_L > I_{L(SC)}$



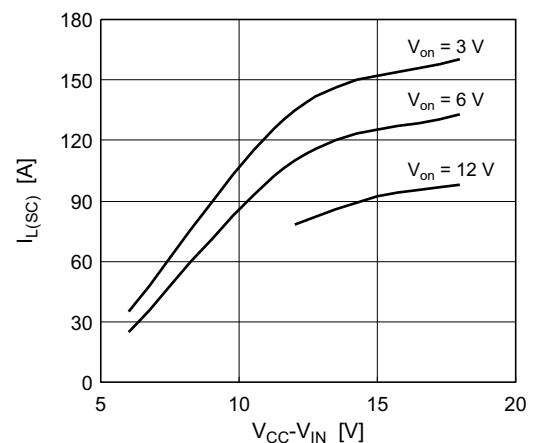
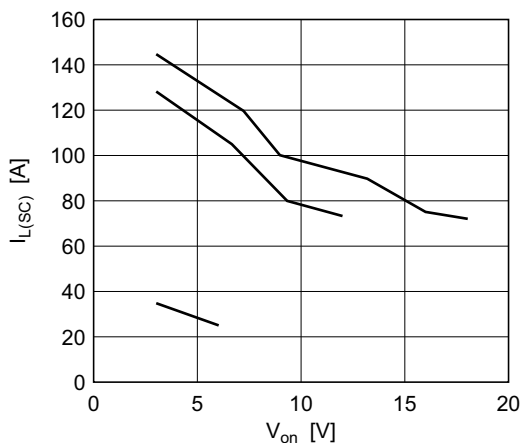
(Evaluation circuit)



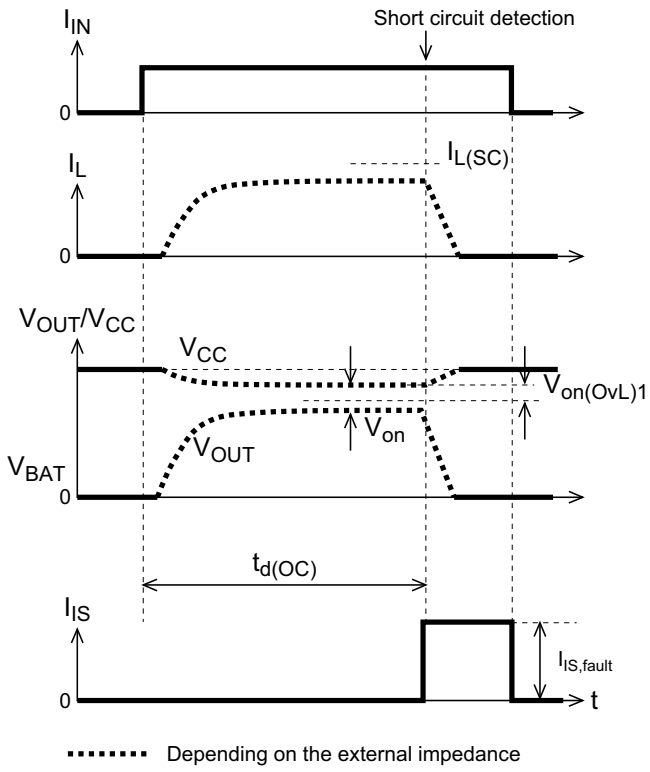
$t_{sdelay(fault)}$ : Fault sense signal delay after short circuit detection  
 $I_{L(SC)}$ : Short circuit detection current

#### Typical short circuit detection current characteristics

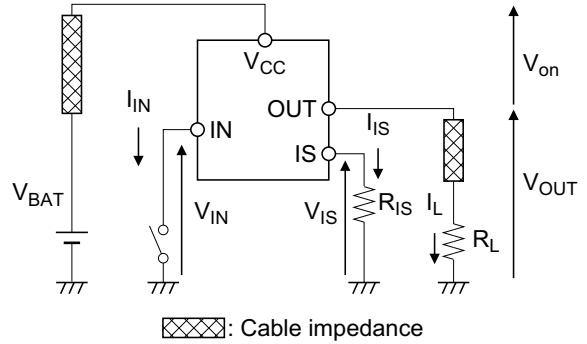
The short circuit detection current  $I_{L(SC)}$  changes according to  $V_{CC}$  voltage and  $V_{on}$  voltage for the purpose of strengthening the robustness under short circuit conditions.



Case 1-(b)  $V_{on} > V_{on(OvL)1}$  after  $t_{d(OC)}$



(Evaluation circuit)



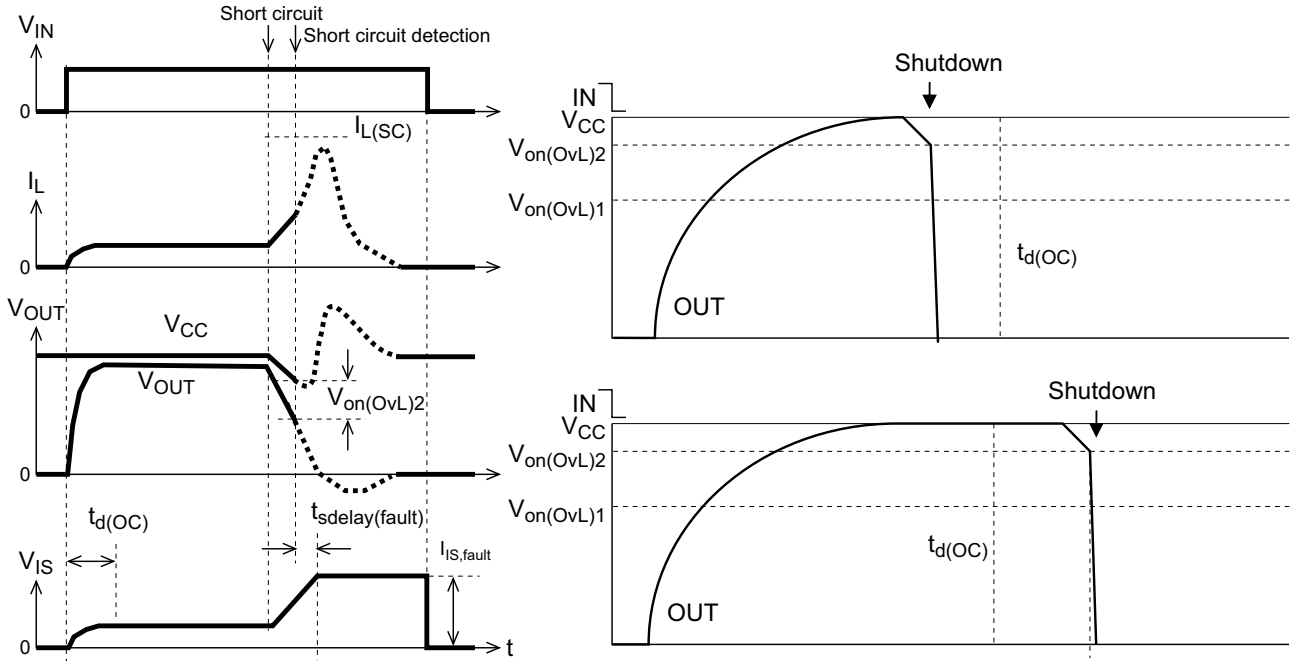
$t_{d(oc)}$ : Turn-on check delay after input current positive slope

Case 2: Short circuit during on-condition

The device shuts down automatically when the following condition (a) is detected. Detection of value (a) is activated after  $V_{on} < V_{on(OvL)2}$  with hysteresis between detection (a) value and activation of (a) value. The sense current is fixed at  $I_{IS, fault}$ . Shutdown is latched until the next reset via input.

(a)  $V_{on} > V_{on(OvL)2}$  after  $V_{on} < V_{on(OvL)2}$

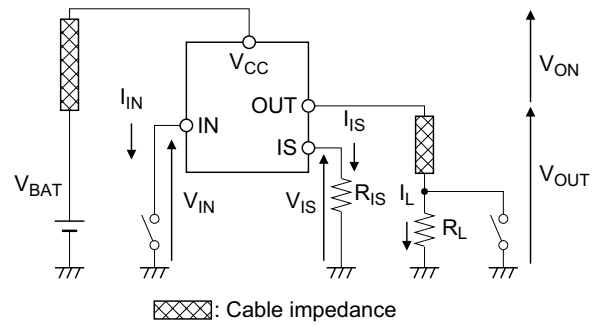
Case 2-(a)  $V_{on} > V_{on(OvL)2}$  after  $V_{on} < V_{on(OvL)2}$



..... Depending on the external impedance

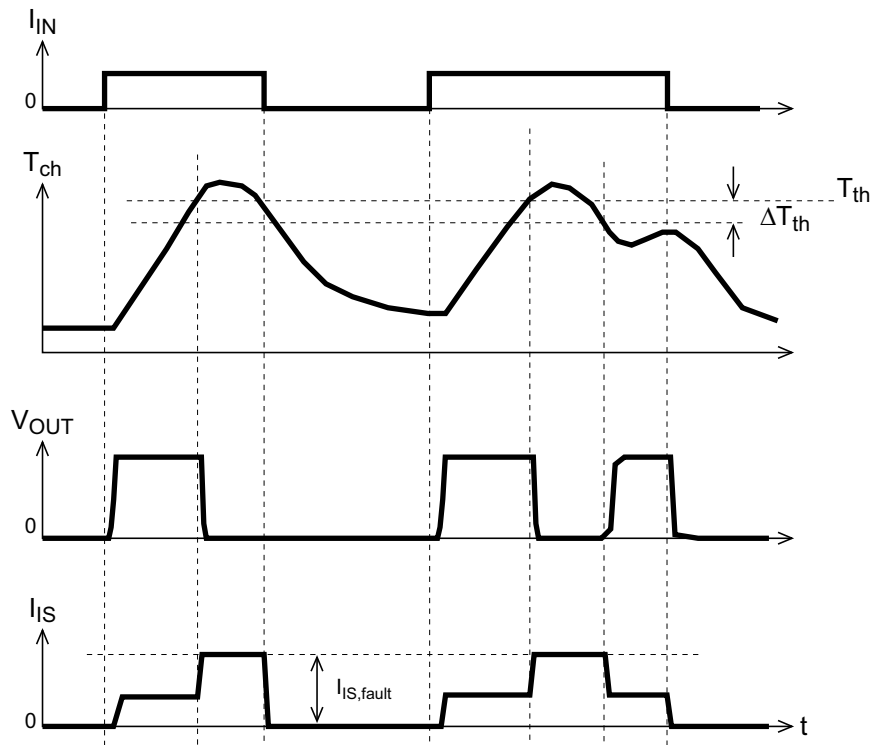
(Evaluation circuit)

- $t_{d(oc)}$ : Turn-on check delay after input current positive slope
- $t_{sdelay(fault)}$ : Fault sense signal delay after short circuit detection
- $I_{L(SC)}$ : Short circuit detection current



### Over-temperature protection

The output is switched off if over-temperature is detected. The device switches on again automatically after it cools down.

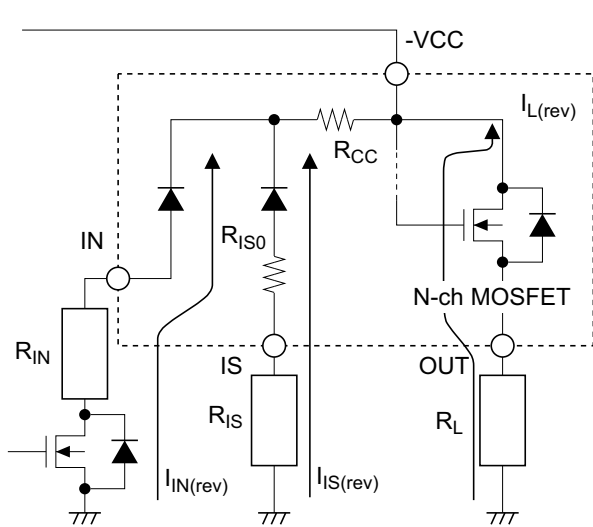


### 3.6.3 Power Dissipation under Reverse Battery Condition

In case of a reverse voltage is applied to the device, the N-Ch MOSFET will turn on only if a reverse current can flow from IN pin through R<sub>CC</sub> and if |V<sub>CC</sub> - V<sub>IN</sub>| voltage is in range of 8 V (TYP).

In above conditions, power dissipation in the driver is generated by N-Ch Mosfet as well as R<sub>CC</sub> and R<sub>IS0</sub>. The power dissipation in the N-Ch MOSFET depends on the load condition.

Overall power dissipation P<sub>d(rev)</sub> can be calculated as follow.



$$P_{d(rev)} = R_{on(rev)} \times I_{L(rev)}^2 + (V_{CC} - V_f - I_{IN(rev)} \times R_{IN}) \times I_{IN(rev)} + (V_{CC} - I_{IS(rev)} \times R_{IS}) \times I_{IS(rev)}$$

$$I_{IN(rev)} = (V_{CC} - 2 \times V_f) / (R_{CC} + R_{IN})$$

$$I_{IS(rev)} = (V_{CC} - V_f) / (R_{CC} + R_{IS0} + R_{IS})$$

The reverse current through the N-ch MOSFET has to be limited by the connected load.

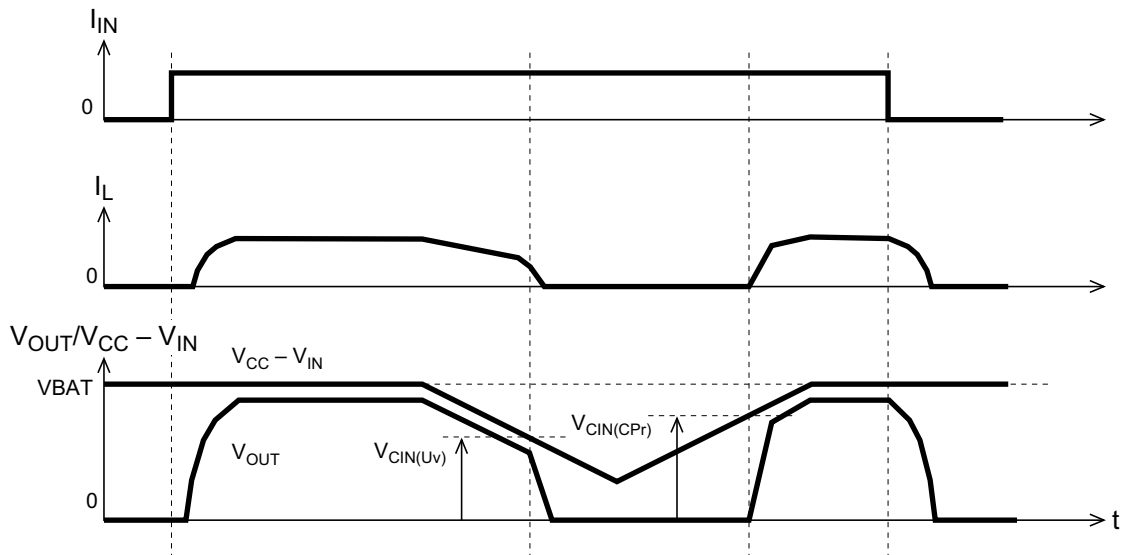
In order to turn on the N-ch MOSFET at reverse polarity condition, the voltage at IN should be around 8V by using a MOSFET or small diode in parallel to the input switch. R<sub>IN</sub> should be estimated using the following formula.

$$R_{IN} < (|V_{CC} - 8V|) / 0.08A$$

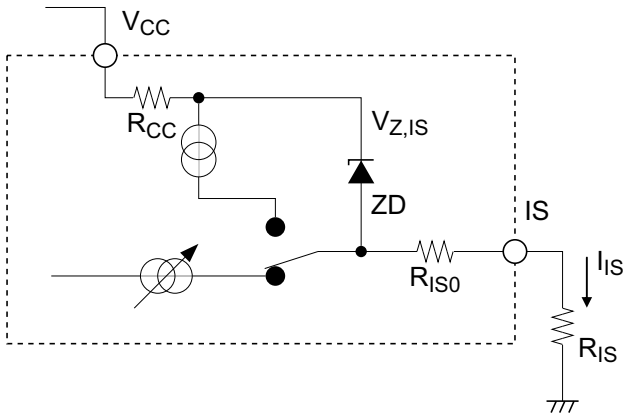
In case no current would flow from IN pin through R<sub>CC</sub>, the N-Ch MOSFET will not turn-on. Then power dissipation mainly result from the body diode of the N-Ch MOSFET.

### 3.6.4 Device Behavior at Low Voltage Condition

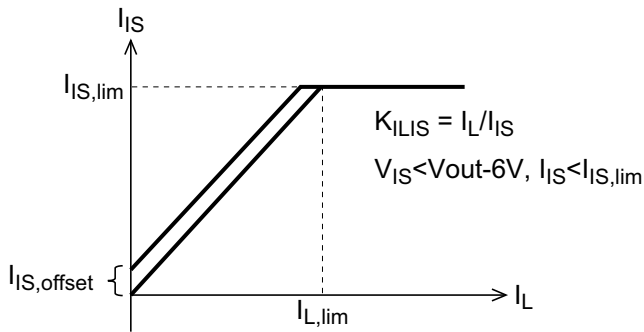
If the supply voltage (V<sub>CC</sub> - V<sub>IN</sub>) drops below V<sub>CIN(UV)</sub>, the device will shut off and will remain off until the supply voltage (V<sub>CC</sub> - V<sub>IN</sub>) recovers above V<sub>CIN(CPT)</sub>.



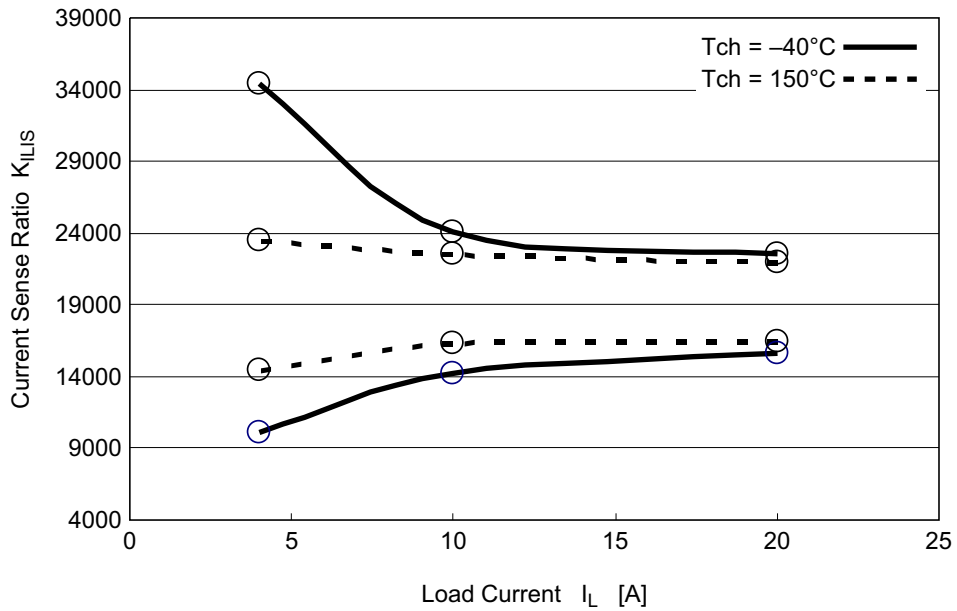
### 3.6.5 Current Sense Output



$R_{CC}$  is 100  $\Omega$  (typ.),  $V_{Z,IS}$  = 46 V (typ.),  $R_{IS}$  = 1 k $\Omega$  nominal.

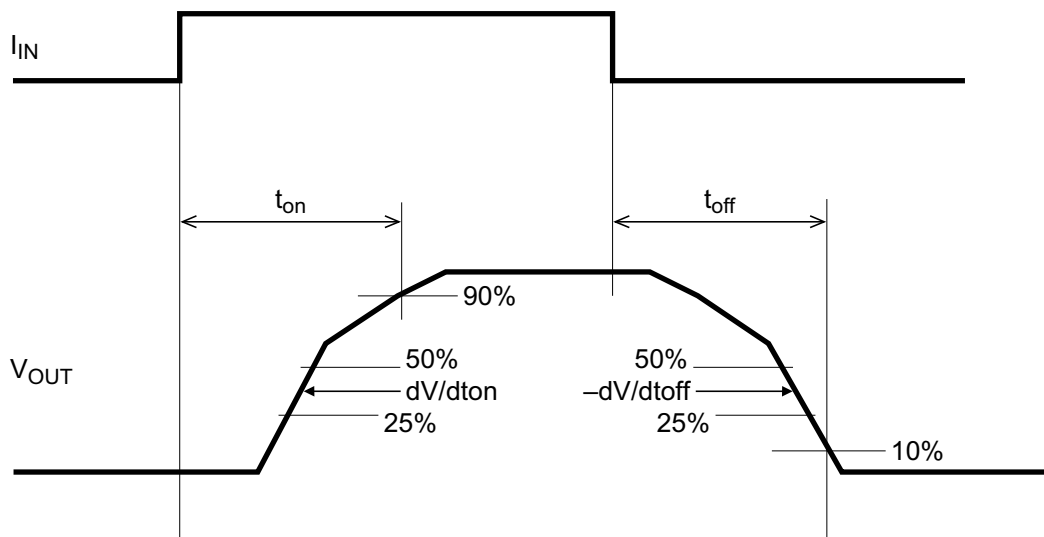


Current Sense Ratio

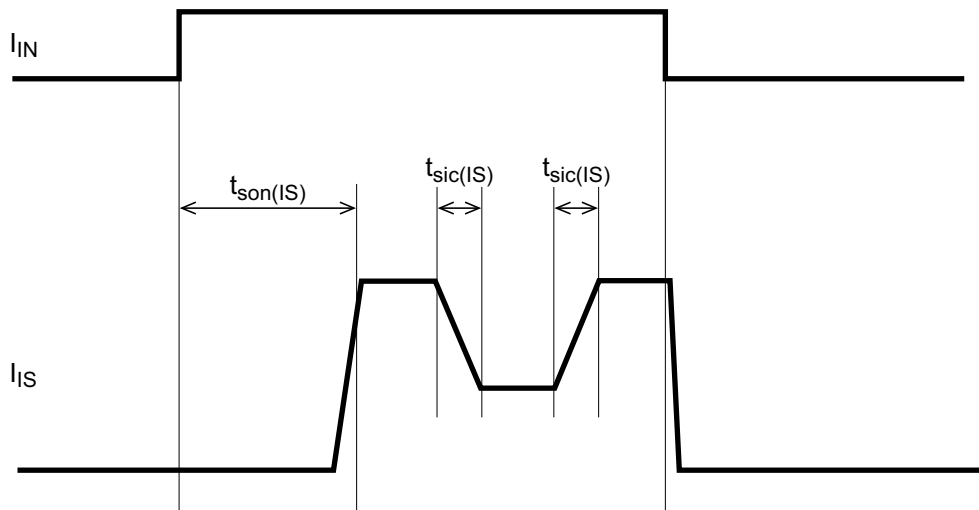


### 3.6.6 Measurement Condition

Switching waveform of OUT pin



Switching waveform of IS pin

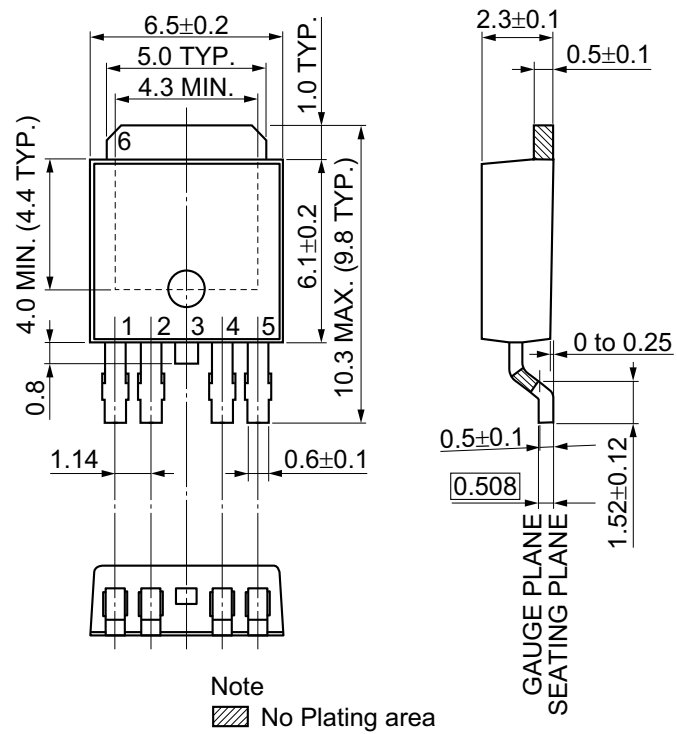


### 3.6.7 Truth Table

Input Current	State	Output	Sense Current
L	—	OFF	0 mA ( $I_{IS(LL)}$ )
H	Normal operation	ON	Nominal
	Over-temperature or Short circuit	OFF	$I_{IS, fault}$
	Open load	ON	$I_{IS, offset}$

### 3.7 Package Drawings (Unit: mm)

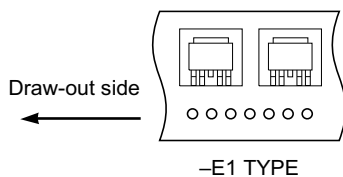
#### 3.7.1 5-pin TO-252 (MP-3ZK)





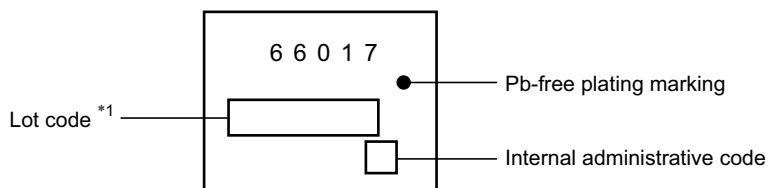
### 3.8 Taping Information

This is one type (E1) of direction of the device in the carrier tape.

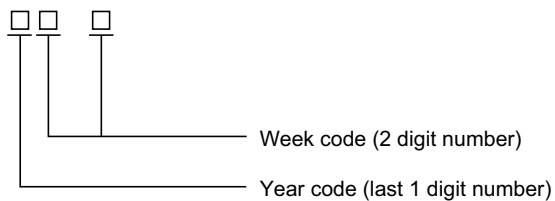


### 3.9 Marking Information

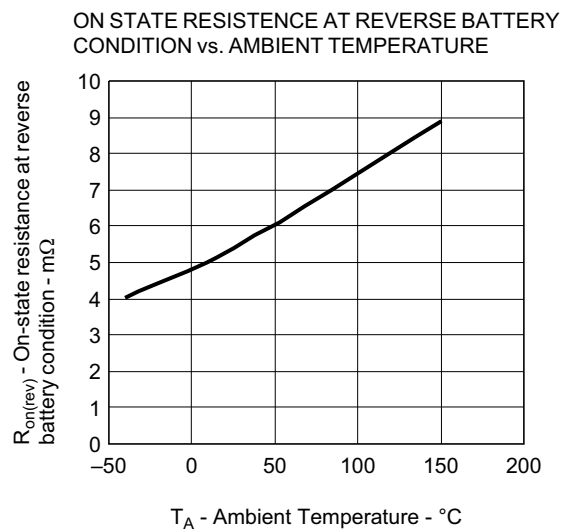
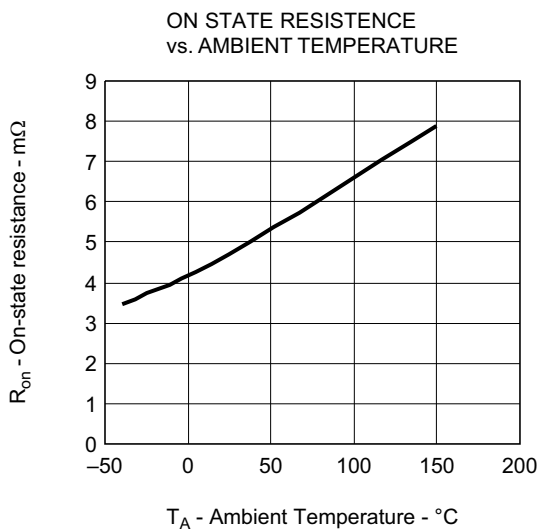
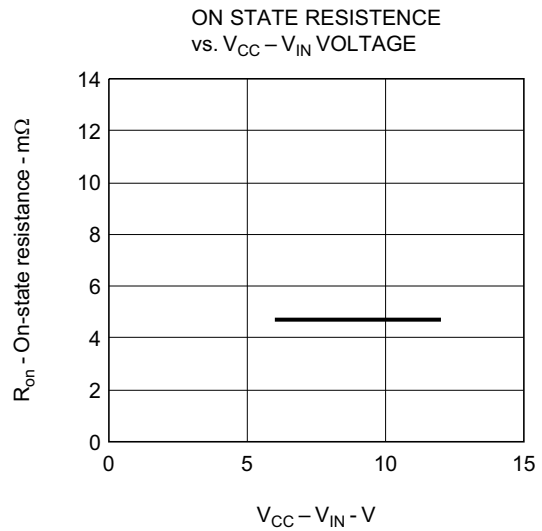
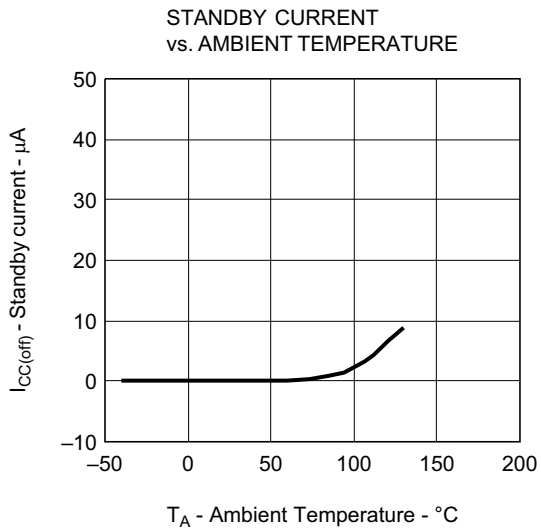
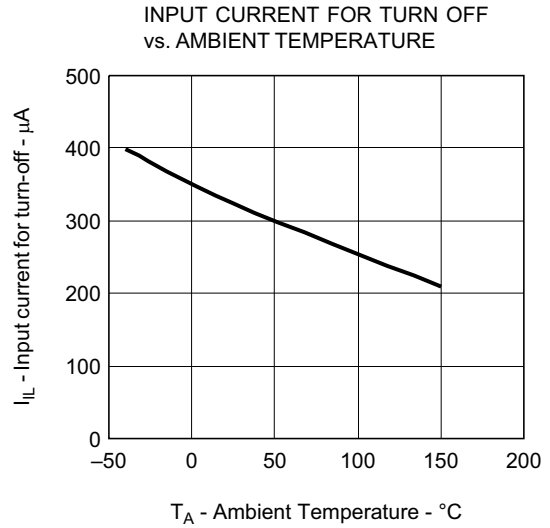
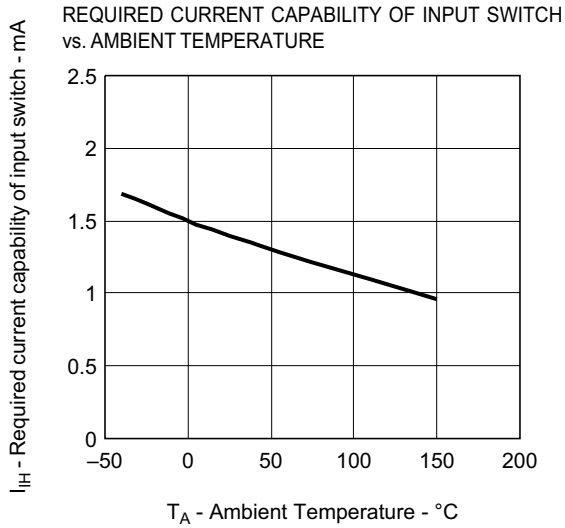
This figure indicates the marking items and arrangement. However, details of the letterform, the size and the position aren't indicated.

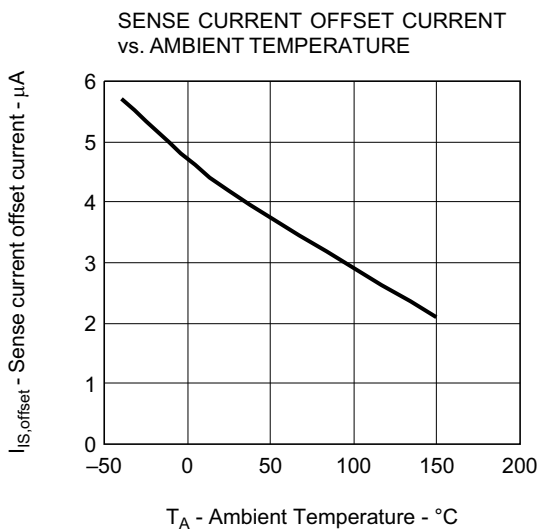
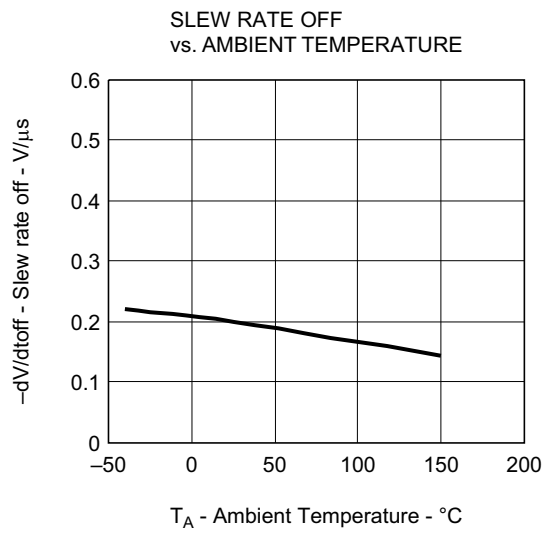
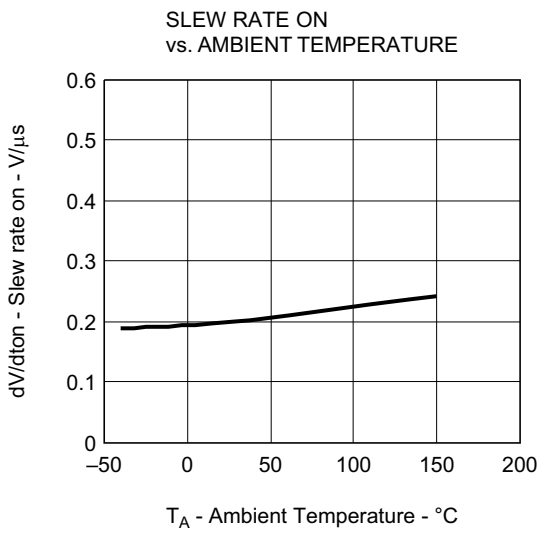
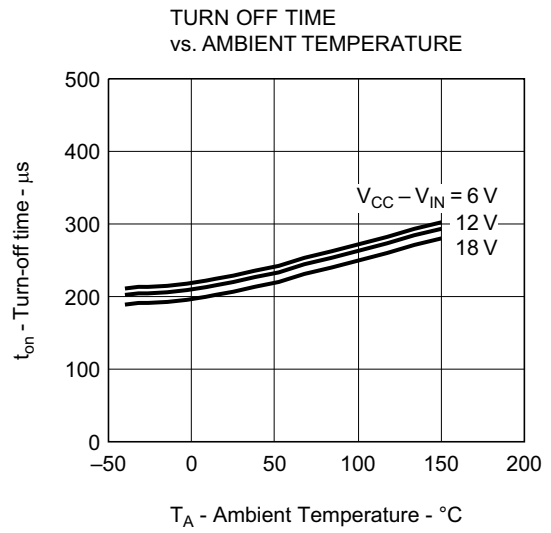
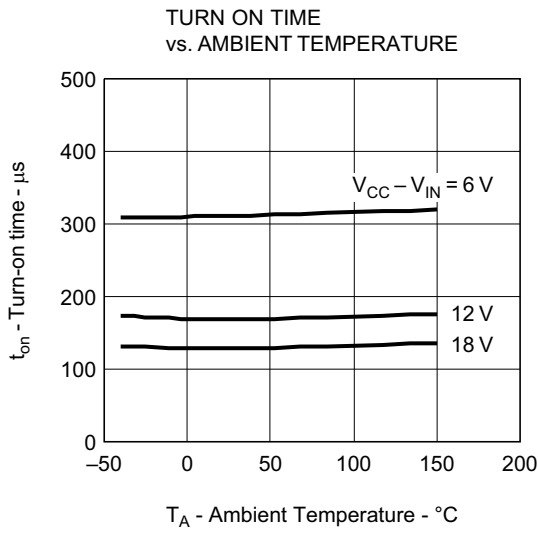


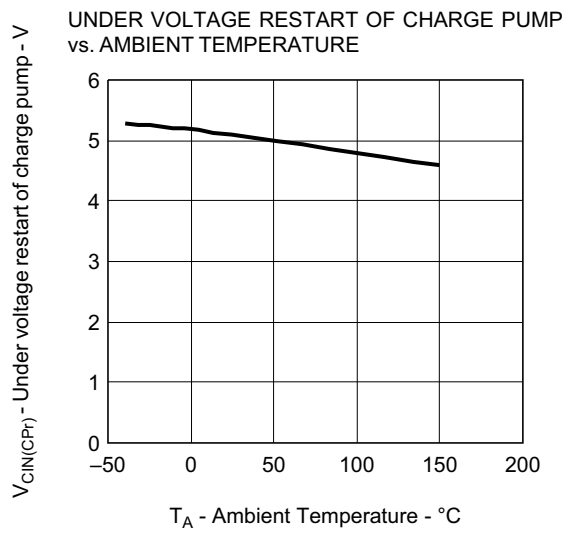
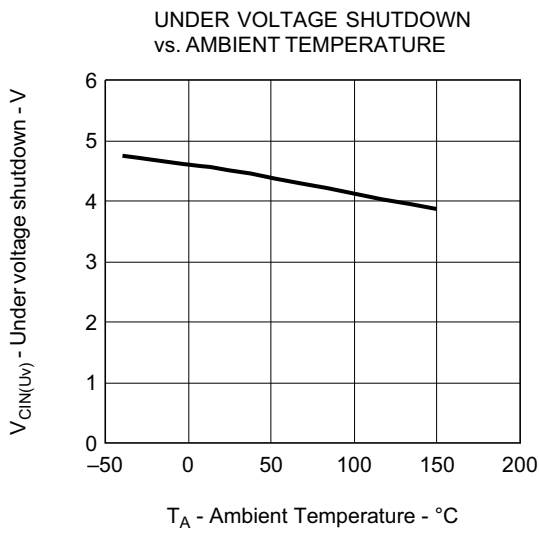
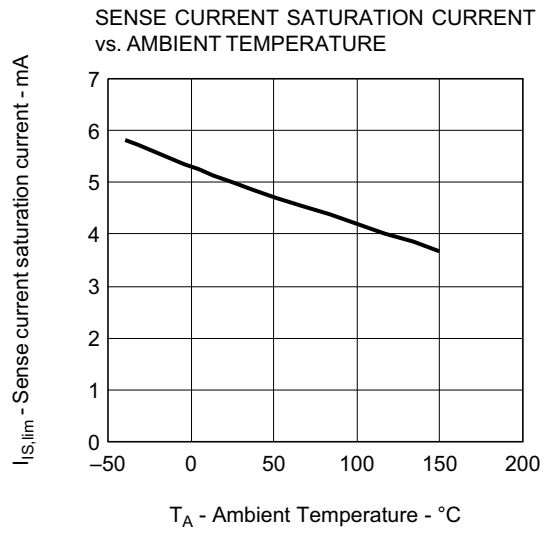
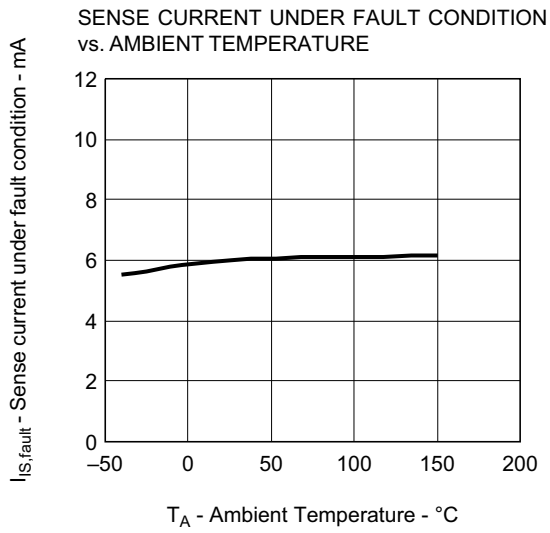
Note: \*1. Composition of the lot code



### 4. Typical Characteristics

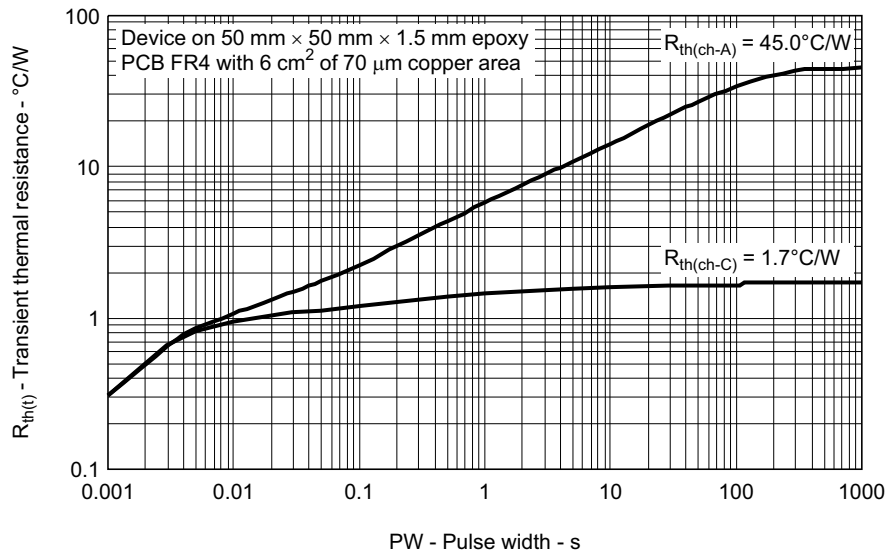




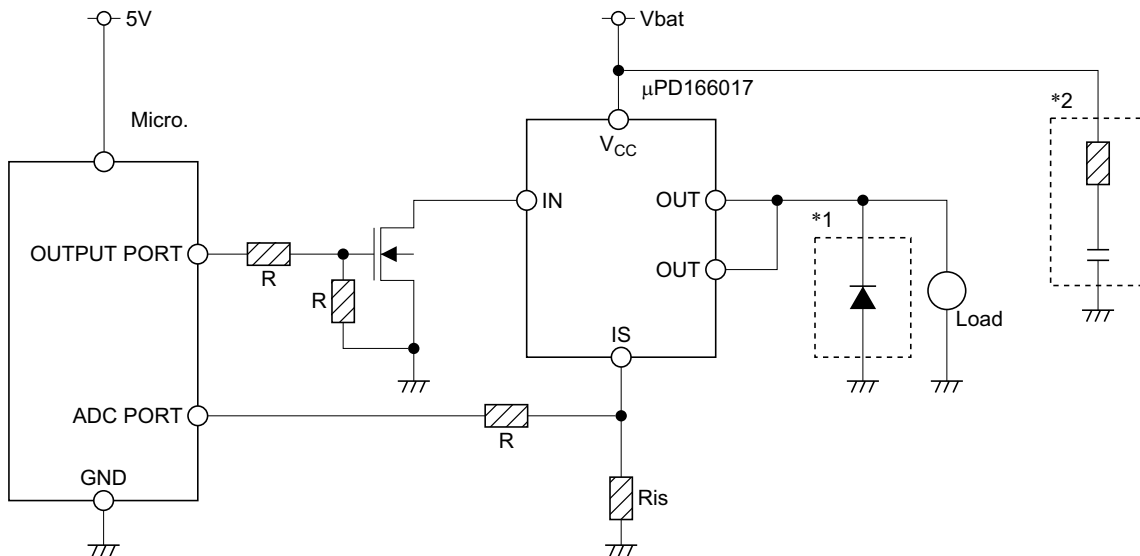


### 5. Thermal Characteristics

TRANSIENT THERMAL RESISTANCE vs. PULSE WIDTH



## 6. Application Example in Principle



Notes: \*1 A free wheel diode is necessary if one of below conditions is fulfilled:

- a. μPD166017 is driving an inductive load and the energy dissipated in the driver during avalanche mode may exceed  $E_{AS1}$ .
- b. The energy that may be dissipated at device turn-off in any type of load condition (i.e: nominal or overload) exceed  $E_{AS2}$ . It is recommended that user carefully consider the harness conditions in the target application.

\*2 When no freewheel diode is used in parallel to the driver load and to prevent oscillation of the  $V_{CC}$  voltage during turn-off at high load current, a snubber [R,C] circuit must be connected between  $V_{CC}$  and GND as shown on application schematic.

Recommended value of R: 10 Ω / 5% 0, 125 W

Recommended value of C: 0.25 μF / 50 V Ceramic capacitor

<b>Revision History</b>	<b>μPD166017T1F Data Sheet</b>
-------------------------	--------------------------------

Rev.	Date	Description	
		Page	Summary
1.00	Apr 26, 2012	—	First Edition Issued

All trademarks and registered trademarks are the property of their respective owners.

## Notice

- All information included in this document is current as of the date this document is issued. Such information, however, is subject to change without any prior notice. Before purchasing or using any Renesas Electronics products listed herein, please confirm the latest product information with a Renesas Electronics sales office. Also, please pay regular and careful attention to additional and different information to be disclosed by Renesas Electronics such as that disclosed through our website.
- Renesas Electronics does not assume any liability for infringement of patents, copyrights, or other intellectual property rights of third parties by or arising from the use of Renesas Electronics products or technical information described in this document. No license, express, implied or otherwise, is granted hereby under any patents, copyrights or other intellectual property rights of Renesas Electronics or others.
- You should not alter, modify, copy, or otherwise misappropriate any Renesas Electronics product, whether in whole or in part.
- Descriptions of circuits, software and other related information in this document are provided only to illustrate the operation of semiconductor products and application examples. You are fully responsible for the incorporation of these circuits, software, and information in the design of your equipment. Renesas Electronics assumes no responsibility for any losses incurred by you or third parties arising from the use of these circuits, software, or information.
- When exporting the products or technology described in this document, you should comply with the applicable export control laws and regulations and follow the procedures required by such laws and regulations. You should not use Renesas Electronics products or the technology described in this document for any purpose relating to military applications or use by the military, including but not limited to the development of weapons of mass destruction. Renesas Electronics products and technology may not be used for or incorporated into any products or systems whose manufacture, use, or sale is prohibited under any applicable domestic or foreign laws or regulations.
- Renesas Electronics has used reasonable care in preparing the information included in this document, but Renesas Electronics does not warrant that such information is error free. Renesas Electronics assumes no liability whatsoever for any damages incurred by you resulting from errors in or omissions from the information included herein.
- Renesas Electronics products are classified according to the following three quality grades: "Standard", "High Quality", and "Specific". The recommended applications for each Renesas Electronics product depends on the product's quality grade, as indicated below. You must check the quality grade of each Renesas Electronics product before using it in a particular application. You may not use any Renesas Electronics product for any application categorized as "Specific" without the prior written consent of Renesas Electronics. Further, you may not use any Renesas Electronics product for any application for which it is not intended without the prior written consent of Renesas Electronics. Renesas Electronics shall not be in any way liable for any damages or losses incurred by you or third parties arising from the use of any Renesas Electronics product for an application categorized as "Specific" or for which the product is not intended where you have failed to obtain the prior written consent of Renesas Electronics. The quality grade of each Renesas Electronics product is "Standard" unless otherwise expressly specified in a Renesas Electronics data sheets or data books, etc.  
"Standard": Computers; office equipment; communications equipment; test and measurement equipment; audio and visual equipment; home electronic appliances; machine tools; personal electronic equipment; and industrial robots.  
"High Quality": Transportation equipment (automobiles, trains, ships, etc.); traffic control systems; anti-disaster systems; anti-crime systems; safety equipment; and medical equipment not specifically designed for life support.  
"Specific": Aircraft; aerospace equipment; submersible repeaters; nuclear reactor control systems; medical equipment or systems for life support (e.g. artificial life support devices or systems), surgical implantations, or healthcare intervention (e.g. excision, etc.), and any other applications or purposes that pose a direct threat to human life.
- You should use the Renesas Electronics products described in this document within the range specified by Renesas Electronics, especially with respect to the maximum rating, operating supply voltage range, movement power voltage range, heat radiation characteristics, installation and other product characteristics. Renesas Electronics shall have no liability for malfunctions or damages arising out of the use of Renesas Electronics products beyond such specified ranges.
- Although Renesas Electronics endeavors to improve the quality and reliability of its products, semiconductor products have specific characteristics such as the occurrence of failure at a certain rate and malfunctions under certain use conditions. Further, Renesas Electronics products are not subject to radiation resistance design. Please be sure to implement safety measures to guard them against the possibility of physical injury, and injury or damage caused by fire in the event of the failure of a Renesas Electronics product, such as safety design for hardware and software including but not limited to redundancy, fire control and malfunction prevention, appropriate treatment for aging degradation or any other appropriate measures. Because the evaluation of microcomputer software alone is very difficult, please evaluate the safety of the final products or system manufactured by you.
- Please contact a Renesas Electronics sales office for details as to environmental matters such as the environmental compatibility of each Renesas Electronics product. Please use Renesas Electronics products in compliance with all applicable laws and regulations that regulate the inclusion or use of controlled substances, including without limitation, the EU RoHS Directive. Renesas Electronics assumes no liability for damages or losses occurring as a result of your noncompliance with applicable laws and regulations.
- This document may not be reproduced or duplicated, in any form, in whole or in part, without prior written consent of Renesas Electronics.
- Please contact a Renesas Electronics sales office if you have any questions regarding the information contained in this document or Renesas Electronics products, or if you have any other inquiries.  
(Note 1) "Renesas Electronics" as used in this document means Renesas Electronics Corporation and also includes its majority-owned subsidiaries.  
(Note 2) "Renesas Electronics product(s)" means any product developed or manufactured by or for Renesas Electronics.



### SALES OFFICES

Renesas Electronics Corporation

<http://www.renesas.com>

Refer to "<http://www.renesas.com/>" for the latest and detailed information.

**Renesas Electronics America Inc.**  
2880 Scott Boulevard Santa Clara, CA 95050-2554, U.S.A.  
Tel: +1-408-586-6000, Fax: +1-408-586-6130

**Renesas Electronics Canada Limited**  
1101 Nicholson Road, Newmarket, Ontario L3Y 9C3, Canada  
Tel: +1-905-898-5441, Fax: +1-905-898-3220

**Renesas Electronics Europe Limited**  
Dukes Meadow, Millboard Road, Bourne End, Buckinghamshire, SL8 5FH, U.K.  
Tel: +44-1628-585-100, Fax: +44-1628-585-900

**Renesas Electronics Europe GmbH**  
Arcadiastrasse 10, 40472 Düsseldorf, Germany  
Tel: +49-211-65030, Fax: +49-211-6503-1327

**Renesas Electronics (China) Co., Ltd.**  
7th Floor, Quantum Plaza, No.27 ZhiChunLu Haidian District, Beijing 100083, P.R.China  
Tel: +86-10-8235-1155, Fax: +86-10-8235-7679

**Renesas Electronics (Shanghai) Co., Ltd.**  
Unit 204, 205, AZIA Center, No.1233 Lujiazui Ring Rd., Pudong District, Shanghai 200120, China  
Tel: +86-21-5877-1818, Fax: +86-21-6887-7858 / -7898

**Renesas Electronics Hong Kong Limited**  
Unit 1601-1613, 16/F., Tower 2, Grand Century Place, 193 Prince Edward Road West, Mongkok, Kowloon, Hong Kong  
Tel: +852-2886-9318, Fax: +852 2886-9022/9044

**Renesas Electronics Taiwan Co., Ltd.**  
13F, No. 363, Fu Shing North Road, Taipei, Taiwan  
Tel: +886-2-8175-9600, Fax: +886 2-8175-9670

**Renesas Electronics Singapore Pte. Ltd.**  
1 HarbourFront Avenue, #06-10, Keppel Bay Tower, Singapore 098632  
Tel: +65-6213-0200, Fax: +65-6276-8001

**Renesas Electronics Malaysia Sdn.Bhd.**  
Unit 906, Block B, Menara Amcorp, Amcorp Trade Centre, No. 18, Jln Persiaran Barat, 46050 Petaling Jaya, Selangor Darul Ehsan, Malaysia  
Tel: +60-3-7955-9390, Fax: +60-3-7955-9510

**Renesas Electronics Korea Co., Ltd.**  
11F., Samik Lavied' or Bldg., 720-2 Yeoksam-Dong, Kangnam-Ku, Seoul 135-080, Korea  
Tel: +82-2-558-3737, Fax: +82-2-558-5141