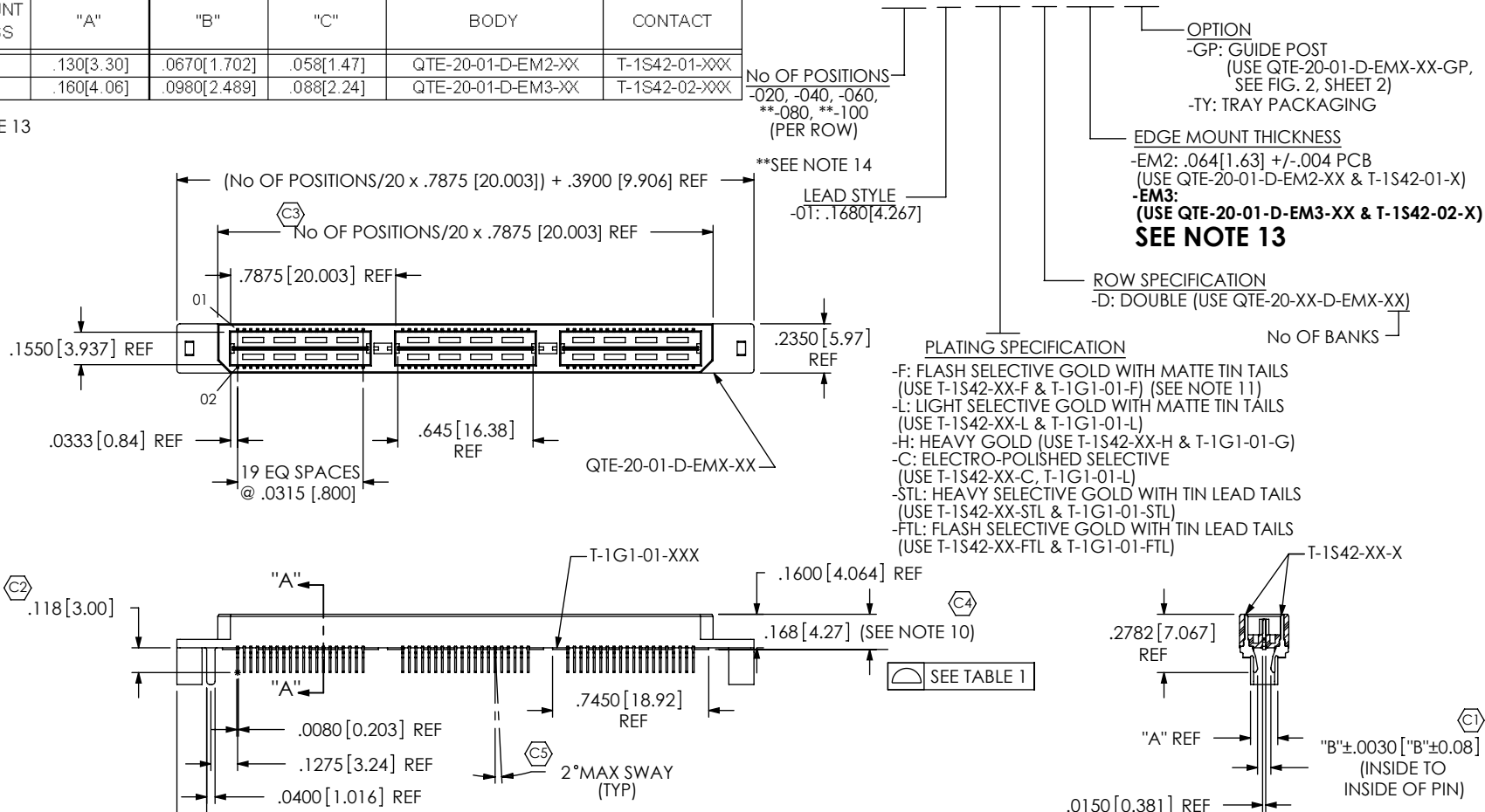


TABLE 2					
EDGE MOUNT THICKNESS	"A"	"B"	"C"	BODY	CONTACT
-EM2	.130[3.30]	.0670[1.702]	.058[1.47]	QTE-20-01-D-EM2-XX	T-1S42-01-XXX
*-EM3	.160[4.06]	.0980[2.489]	.088[2.24]	QTE-20-01-D-EM3-XX	T-1S42-02-XXX

* = SEE NOTE 13

QTE-XXX-01-XXX-D-EMX-XX

DO NOT SCALE FROM THIS PRINT



No OF POSITIONS
-020, -040, -060,
**-080, **-100
(PER ROW)

**SEE NOTE 14
LEAD STYLE
-01: .1680[4.267]

OPTION
-GP: GUIDE POST
(USE QTE-20-01-D-EMX-XX-GP,
SEE FIG. 2, SHEET 2)
-TY: TRAY PACKAGING

EDGE MOUNT THICKNESS
-EM2: .064[1.63] +/- .004 PCB
(USE QTE-20-01-D-EM2-XX & T-1S42-01-X)
-EM3:
(USE QTE-20-01-D-EM3-XX & T-1S42-02-X)
SEE NOTE 13

ROW SPECIFICATION
-D: DOUBLE (USE QTE-20-XX-D-EMX-XX)

PLATING SPECIFICATION
-F: FLASH SELECTIVE GOLD WITH MATTE TIN TAILS
(USE T-1S42-XX-F & T-1G1-01-F) (SEE NOTE 11)
-L: LIGHT SELECTIVE GOLD WITH MATTE TIN TAILS
(USE T-1S42-XX-L & T-1G1-01-L)
-H: HEAVY GOLD (USE T-1S42-XX-H & T-1G1-01-G)
-C: ELECTRO-POLISHED SELECTIVE
(USE T-1S42-XX-C, T-1G1-01-L)
-STL: HEAVY SELECTIVE GOLD WITH TIN LEAD TAILS
(USE T-1S42-XX-STL & T-1G1-01-STL)
-FTL: FLASH SELECTIVE GOLD WITH TIN LEAD TAILS
(USE T-1S42-XX-FTL & T-1G1-01-FTL)

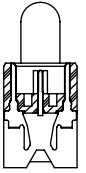
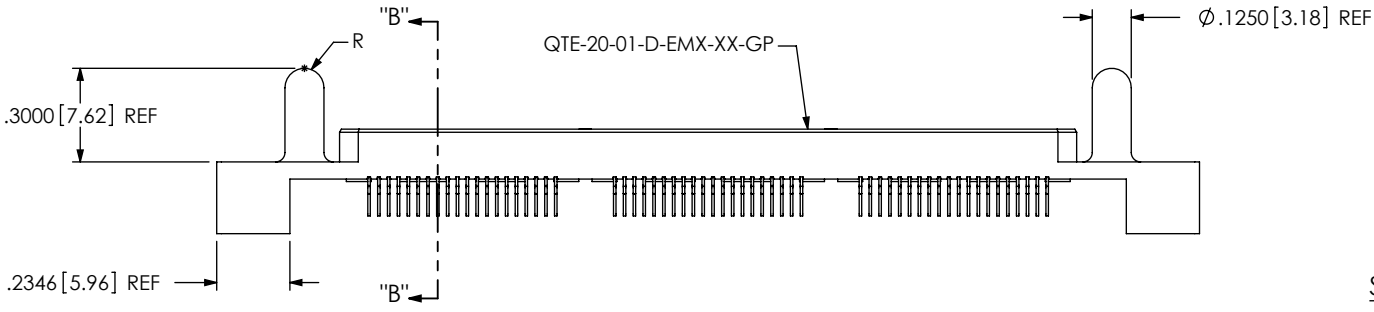
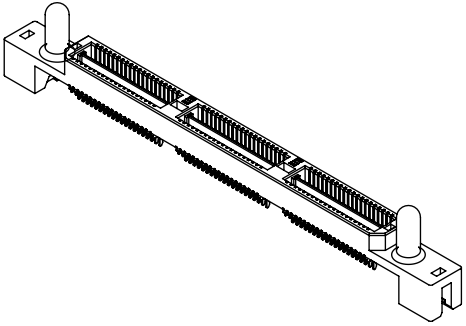
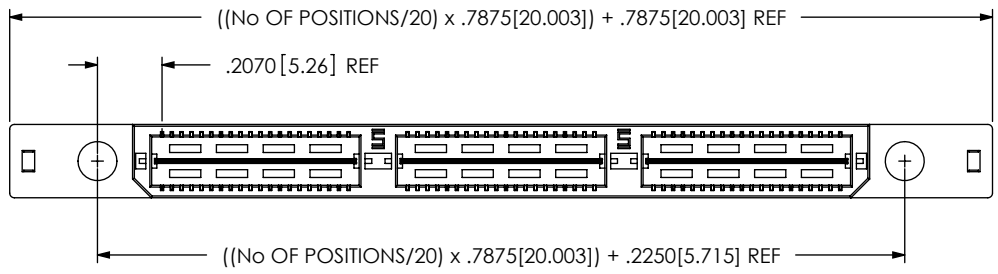
FIG. 1
QTE-060-01-XXX-D-EM2 SHOWN

SECTION "A"- "A"

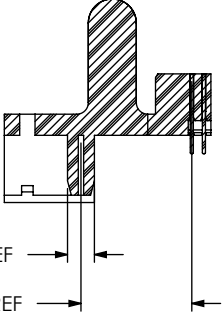
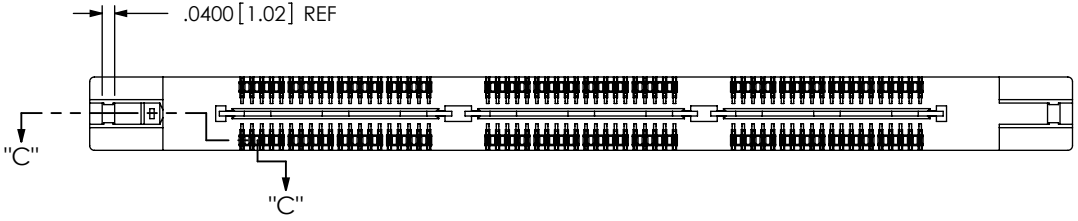
- NOTES:
1. © REPRESENTS A CRITICAL DIMENSION.
 2. NOTE DELETED.
 3. BURR ALLOWANCE: .0015 [.03] MAX.
 4. MINIMUM TERMINAL RETENTION: 6 OZ.
 5. MINIMUM GROUND PLANE RETENTION: 1 LB.
 6. PARTS TO BE MOLD-TO-POSITION.
 7. NOTE DELETED.
 8. NOTE DELETED.
 9. NOTE DELETED.
 10. MAX VARIANCE: .002 [.05].
 11. -L PLATING CAN BE SUBSTITUTED FOR -F PLATING.
 12. SEE http://www.samtec.com/processing/edgemt_tectalk/index.htm FOR INFORMATION ON PROCESSING EDGE MOUNT PARTS TO BOARDS.
 13. -EM3 IS NOT A STANDARD OFFERING; AVAILABLE AS AN ASP ONLY. PLEASE CONTACT SAMTEC INTERCONNECT PROCESSING GROUP WITH ORDER INQUIRIES
 14. FOR NEW APPLICATIONS REQUIRING THESE POSITIONS, PLEASE CONTACT SAMTEC INTERCONNECT PROCESSING GROUP.
 15. PARTS WITHOUT -TY OPTION SHALL BE PACKAGED IN TRAYS.

TABLE 1		
No OF POSITIONS	GND PLANE COPLANARITY	ASSEMBLY BOW
-020 THRU -060	.004 [.10]	.004 [.10]
-080 THRU -100	.005[1.27]	.005[1.27]

UNLESS OTHERWISE SPECIFIED, DIMENSIONS ARE IN INCHES. TOLERANCES ARE: DECIMALS ANGLES .XX: ±.01 [.3] 2° .XXX: ±.005 [.13] .XXXX: ±.0020 [.051]	PROPRIETARY NOTE THIS DOCUMENT CONTAINS INFORMATION CONFIDENTIAL AND PROPRIETARY TO SAMTEC, INC. AND SHALL NOT BE REPRODUCED OR TRANSFERRED TO OTHER DOCUMENTS OR DISCLOSED TO OTHERS OR USED FOR ANY PURPOSE OTHER THAN THAT WHICH IT WAS OBTAINED WITHOUT THE EXPRESSED WRITTEN CONSENT OF SAMTEC, INC.	520 PARK EAST BLVD, NEW ALBANY, IN 47150 PHONE: 812-944-6733 FAX: 812-948-5047 e-Mail: info@SAMTEC.com code: 55322



SECTION "B"- "B"



.0700[1.78] REF

.2887[7.33] REF

SECTION "C"- "C"
SCALE 2 : 1

FIG. 2
-GP OPTION
(SAME AS FIG. 1, UNLESS OTHERWISE STATED)

PROPRIETARY NOTE
THIS DOCUMENT CONTAINS INFORMATION CONFIDENTIAL AND PROPRIETARY TO SAMTEC, INC. AND SHALL NOT BE REPRODUCED OR TRANSFERRED TO OTHER DOCUMENTS OR DISCLOSED TO OTHERS OR USED FOR ANY PURPOSE OTHER THAN THAT WHICH IT WAS OBTAINED WITHOUT THE EXPRESSED WRITTEN CONSENT OF SAMTEC, INC.

DO NOT SCALE DRAWING

SHEET SCALE: 1.625:1



520 PARK EAST BLVD, NEW ALBANY, IN 47150
PHONE: 812-944-6733 FAX: 812-948-5047
e-Mail: info@SAMTEC.com code: 55322

DESCRIPTION:
.8mm EDMOUNT HS TERMINAL ASSEMBLY

DWG. NO.
QTE-XXX-01-XXX-D-EMX-XX

BY: DEAN P 9/2/1999 SHEET 2 OF 2