



## Non-Shorting Dust Cap for BNC Male

### TECHNICAL DATA SHEET

PE6014

#### Non-Shorting Dust Cap for BNC Male

##### Configuration

Connector	BNC Male Non-Shorting
Chain Option	No Chain

##### Mechanical Specifications

###### Temperature

Operating Range, deg C	-20 to +80
------------------------	------------

###### Size

Length, in [mm]	0.587 [14.91]
Width, in [mm]	0.571 [15]

###### Connector

Type	BNC Male Non-Shorting
Body Material and Plating	Brass, Nickel
Body Plating Specification	100µ In. Minimum

##### Compliance Certifications (visit [www.Pasternack.com](http://www.Pasternack.com) for current document)

RoHS Compliant	Yes
----------------	-----

##### Plotted and Other Data

Notes:	Values at 25 °C, sea level
--------	----------------------------

Non-Shorting Dust Cap for BNC Male from Pasternack Enterprises has same day shipment for domestic and International orders. Our RF, microwave and fiber optic products maintain a 99% availability and are part of the broadest selection in the industry.

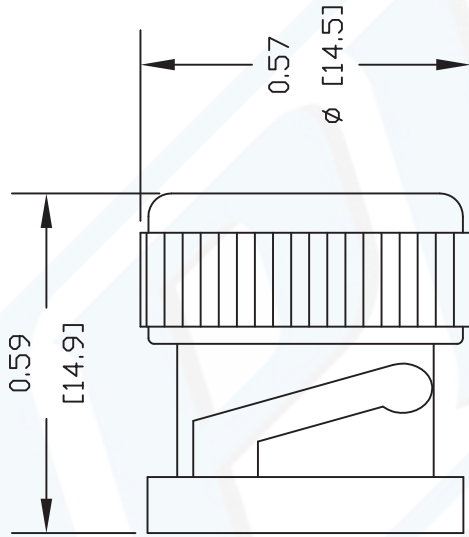
Click the following link (or enter part number in "SEARCH" on website) to obtain additional part information including price, inventory and certifications: [Non-Shorting Dust Cap for BNC Male PE6014](#)

URL: <http://www.pasternack.com/50-ohm-bnc-male-non-shorting-cap-pe6014-p.aspx>

The information contained in this document is accurate to the best of our knowledge and representative of the part described herein. It may be necessary to make modifications to the part and/or the documentation of the part, in order to implement improvements. Pasternack reserves the right to make such changes as required. Unless otherwise stated, all specifications are nominal.



**PE6014 CAD Drawing**  
 Non-Shorting Dust Cap for BNC Male



DWG TITLE

**PE6014**

NOTES:  
 1. UNLESS OTHERWISE SPECIFIED ALL DIMENSIONS ARE NOMINAL.  
 2. ALL SPECIFICATIONS ARE SUBJECT TO CHANGE WITHOUT NOTICE AT ANY TIME.  
 3. DIMENSIONS ARE IN INCHES [mm].

REV. A

FSCM NO. 53919

CAD FILE 072612

SCALE N/A

SIZE A

2231



**PASTERNAK®**  
 Pasternack Enterprises, Inc.  
 P.O. Box 16759 | Irvine | CA | 92623  
**Phone:** (949) 261-1920 | **Fax:** (949) 261-7451  
**Website:** [www.pasternack.com](http://www.pasternack.com) | **E-Mail:** [sales@pasternack.com](mailto:sales@pasternack.com)