



Shorting Dust Cap for SMA Female

TECHNICAL DATA SHEET

PE6007

Shorting Dust Cap for SMA Female

Configuration

Connector	SMA Female Shorting
Connector Specification	MIL-C-39012
Chain Option	No Chain

Mechanical Specifications

Size

Length, in [mm]	0.53 [13.46]
Width, in [mm]	0.25 [6]

Connector

Type	SMA Female Shorting
Contact Material and Plating	Beryllium Copper, Gold
Contact Plating Specification	3 μ -5 μ in. minimum
Body Material and Plating	Brass, Nickel
Body Plating Specification	70 μ in. minimum
Dielectric Type	Teflon

Compliance Certifications (visit www.Pasternack.com for current document)

RoHS Compliant	Yes
----------------	-----

Plotted and Other Data

Notes:	Values at 25 °C, sea level
--------	----------------------------

Shorting Dust Cap for SMA Female from Pasternack Enterprises has same day shipment for domestic and International orders. Our RF, microwave and fiber optic products maintain a 99% availability and are part of the broadest selection in the industry.

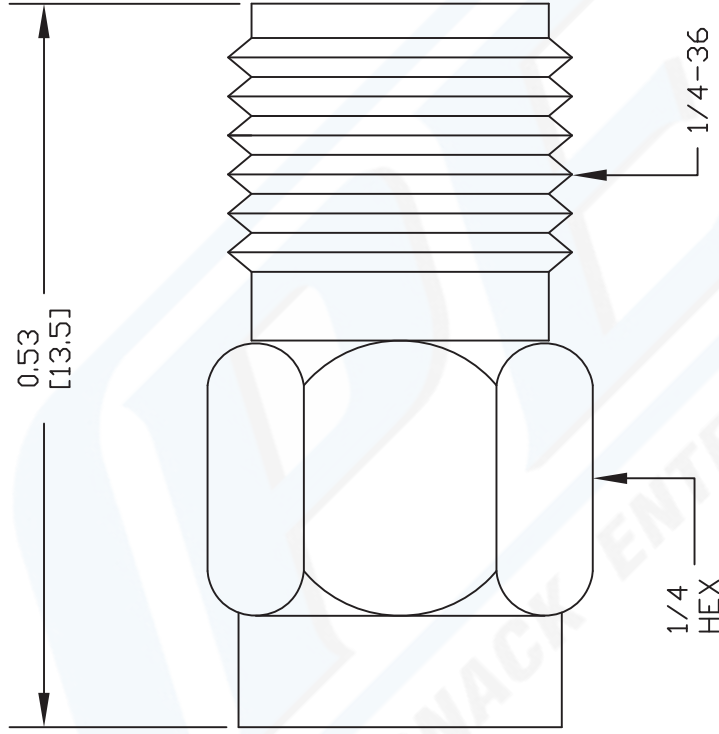
Click the following link (or enter part number in "SEARCH" on website) to obtain additional part information including price, inventory and certifications: [Shorting Dust Cap for SMA Female PE6007](http://www.pasternack.com/50-ohm-sma-female-short-cap-pe6007-p.aspx)

URL: <http://www.pasternack.com/50-ohm-sma-female-short-cap-pe6007-p.aspx>

The information contained in this document is accurate to the best of our knowledge and representative of the part described herein. It may be necessary to make modifications to the part and/or the documentation of the part, in order to implement improvements. Pasternack reserves the right to make such changes as required. Unless otherwise stated, all specifications are nominal.

PE6007 CAD Drawing

Shorting Dust Cap for SMA Female



SMA FEMALE

DWG TITLE

PE6007

NOTES:
 1. UNLESS OTHERWISE SPECIFIED ALL DIMENSIONS ARE NOMINAL.
 2. ALL SPECIFICATIONS ARE SUBJECT TO CHANGE WITHOUT NOTICE AT ANY TIME.
 3. DIMENSIONS ARE IN INCHES [mm].

FSCM NO. 53919

CAD FILE 071802

SCALE N/A

SIZE A

127



Pasternack Enterprises, Inc.
 P.O. Box 16759 | Irvine | CA | 92623
Phone: (949) 261-1920 | **Fax:** (949) 261-7451
Website: www.pasternack.com | **E-Mail:** sales@pasternack.com