



MODM-D-02-8P8C-U-S4-Y-G

MODM-E-04-8P8C-L-S4-Y-G

MODM-D, MODM-E SERIES

GANGED MODULAR JACKS WITH LEDS

SPECIFICATIONS

For complete specifications and recommended PCB layouts see www.samtec.com?MODM-D or www.samtec.com?MODM-E

Insulator Material:

MODM-D: PBT
Glass Filled
MODM-E: Nylon 46

Contact Material:

Phosphor Bronze

Shield Material:

Copper Alloy

Plating:

Gold on Contacts, Nickel on Shield, Gold on Tails

Operating Temp Range:

-25°C to +90°C

Current Rating:

1.5 A per contact

Voltage Rating:

120 VAC max

Contact Resistance:

20 mΩ max

Minimum Cycles:

500

System Applications:

CAT3
Packaged and shipped in Bulk Packaging Trays; Trays suitable for automation are available upon request.

RoHS Compliant:

Yes

Lead-Free Solderable:

Yes (Wave Solder only)



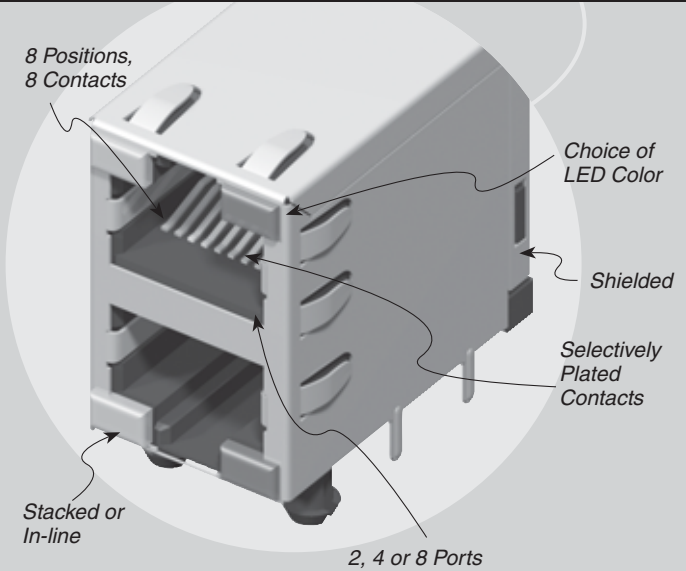
MODS-D & -E FEATURES

Category	CAT3
Orientation	Side Entry, Ganged
Shielding	Shielded, with or without Panel Grounds
Termination	Through-Hole
Tab Orientation	Top Up, Bottom Down (-D)
Tab Orientation	Tab Up (-E)
Profile (-D)	(25,40mm) 1.000" +pnl gnds
Profile (-E)	(13,70mm) .545" +pnl gnds
LEDs	Standard
RJ45 Stacked	MODM-D-XX-8P8C-X-XX-X-X
RJ45 In-line	MODM-E-XX-8P8C-X-XX-X-X

APPLICATION SPECIFIC OPTION

Other plating options available.
Call Samtec.

8 Positions,
8 Contacts



MODM	TYPE	NO. OF PORTS	8P8C	PLATING	SHIELD OPTION	LED 1	LED 2
------	------	--------------	------	---------	---------------	-------	-------

-D
= Stacked
-E
= In-line

-02,
-04,
-08

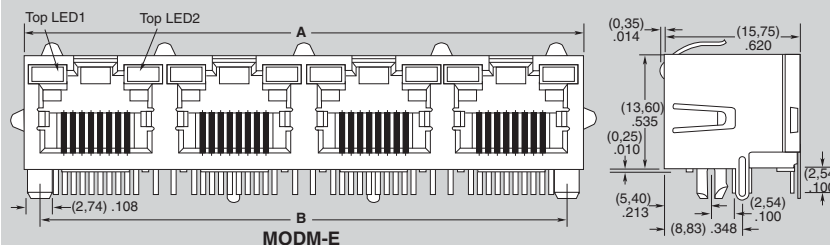
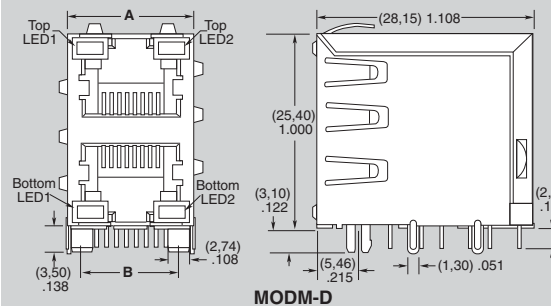
-8P8C
= 8 Positions
8 Contacts

-L
= 15µ" (0,38 µm)
Gold on Mating Area,
Gold Flash on Tails
-U
= 50µ" (1,27µm)
Gold on Mating Area,
Gold Flash on Tails

-S
= Shielded
(No Panel Grounds)
-S4
= Shielded
with Top,
Bottom and
Side Panel
Grounds

-G
= Green
-Y
= Yellow
-1*
= Green/Orange
-3*
= Green/Red
-4*
= Yellow/Red
-6*
= Yellow/Green
-N
= No LED
(-E only)
(LED1 -N
requires
LED2 -N)

*Voltage Forward/Reverse



NO. OF PORTS	-D		-E	
	A	B	A	B
-02	(16,51) .650	(12,70) .500	(32,26) 1.270	(28,45) 1.120
-04	(32,26) 1.270	(28,45) 1.120	(63,80) 2.512	(59,94) 2.359
-08	(63,65) 2.506	(59,95) 2.360	(126,75) 4.990	(122,94) 4.840

Due to technical progress, all designs, specifications and components are subject to change without notice.

WWW.SAMTEC.COM