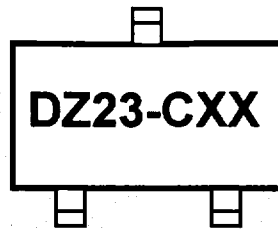


SOT-23 SMD Use Advantages



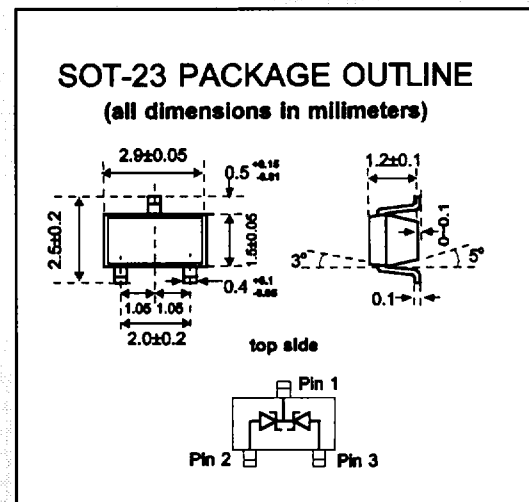
Dual Zener Diodes

DZ23-C2V7
thru
DZ23-C51

These Pro Electron zener diodes use lower zener test currents popular in so many of today's battery powered applications. For use in clipping and stabilizing circuits, where local protection is needed. The two zeners diodes in the same plastic package allow for higher density board design. Compatible with all major automatic assembly equipment.

Features

- Small size
- High quality
- Thermally matched system
- Few applications restrictions
- Thermo-compression bonding
- DO-35 axial leaded types available
- Also comes in a glass Mini Melf SMD



Absolute Maximum Ratings	Symbol	Value	Unit
Power Dissipation at $T_{Amb} = 25\text{ }^{\circ}\text{C}$	P_{tot}	300 ¹⁾	Milliwatts
Junction Temperature	T_j	150	$^{\circ}\text{C}$
Storage Temperature Range	T_s	-55 to +150	$^{\circ}\text{C}$

Characteristics at $T_{Amb} = 25\text{ }^{\circ}\text{C}$	Symbol	Max. Limit	Unit
Thermal Resistance Junction to Ambient Air	R_{thA}	420 ¹⁾	$^{\circ}\text{C/W}$

1) Mounted on Ceramic Substrate 10 mm x 8 mm x 0.7 mm

DETAILED SPECIFICATIONS ON REVERSE



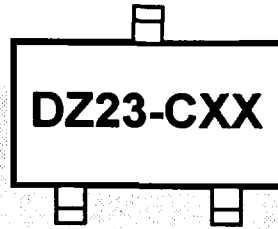
6 Lake Street
Lawrence, MA
USA 01841

Telephone (508) 681-0392 • FAX (508) 681-9135

BKCSS079

SOT-23 SMD

DZ23-C2V7
thru
DZ23-C51



Dual Zener Diodes

Detail Specifications

Type	Zener Voltage Range (V_Z) @ I_{ZT}		Maximum Zener Impedance		Maximum Reverse Leakage Current		Typical Temp. Coef. of Zener Voltage %/°C
	Volts	mA	Z_{zt} @ I_{ZT} Ohms	Z_{zk} @ 1.0mA Ohms	(I_R) μA	@ V_R Volts	
DZ23-C2V7	2.5...2.9	5.0	83	500	-	-	0.075
DZ23-C3	2.8 3.2	5.0	95	500	-	-	-0.07
DZ23-C3V3	3.1...3.5	5.0	95	500	-	-	-0.06
DZ23-C3V6	3.4...3.8	5.0	95	500	-	-	-0.055
DZ23-C3V9	3.7...4.1	5.0	95	500	-	-	-0.045
DZ23-C4V3	4.0...4.6	5.0	95	500	-	-	-0.01
DZ23-C4V7	4.4...5.0	5.0	78	500	-	-	+0.01
DZ23-C5V1	4.8...5.4	5.0	60	480	0.1	0.8	+0.025
DZ23-C5V6	5.2...6.0	5.0	40	400	0.1	1.0	+0.035
DZ23-C6V2	5.8...6.6	5.0	10	200	0.1	2.0	+0.04
DZ23-C6V8	6.4...7.2	5.0	8.0	150	0.1	3.0	+0.044
DZ23-C7V5	7.0...7.9	5.0	7.0	50	0.1	5.0	+0.051
DZ23-C8V2	7.7...8.7	5.0	7.0	50	0.1	6.0	+0.055
DZ23-C9V1	8.5...9.6	5.0	10	50	0.1	7.0	+0.061
DZ23-C10	9.4...10.6	5.0	15	70	0.1	7.5	+0.065
DZ23-C11	10.4...11.6	5.0	20	70	0.1	8.5	+0.068
DZ23-C12	11.4...12.7	5.0	20	90	0.1	9.0	+0.07
DZ23-C13	12.4...14.1	5.0	25	110	0.1	10	+0.075
DZ23-C15	13.8...15.8	5.0	30	110	0.1	11	+0.079
DZ23-C16	15.3...17.1	5.0	40	170	0.1	12	+0.080
DZ23-C18	16.8...19.1	5.0	50	170	0.1	14	+0.083
DZ23-C20	18.8...21.2	5.0	50	220	0.1	15	+0.085
DZ23-C22	20.8...23.3	5.0	55	220	0.1	17	+0.087
DZ23-C24	22.8...25.6	5.0	80	220	0.1	18	+0.090
DZ23-C27	25.1...28.9	5.0	80	250	0.1	20	+0.091
DZ23-C30	28...32	5.0	80	250	0.1	22.5	+0.093
DZ23-C33	31...35	5.0	80	250	0.1	25	+0.094
DZ23-C36	34...38	5.0	90	250	0.1	27	+0.094
DZ23-C39	37...41	5.0	90	300	0.1	29	+0.095
DZ23-C43	40...46	5.0	100	700	0.1	32	+0.095
DZ23-C47	44...50	5.0	100	750	0.1	35	+0.096
DZ23-C51	48...54	5.0	100	750	0.1	38	+0.096

For other voltage ranges, consult factory.
DO-35 axial leaded and MELF SMD Glass packages available.



6 Lake Street
Lawrence, MA
USA 01841

Telephone (508) 681-0392 • FAX (508) 681-9135