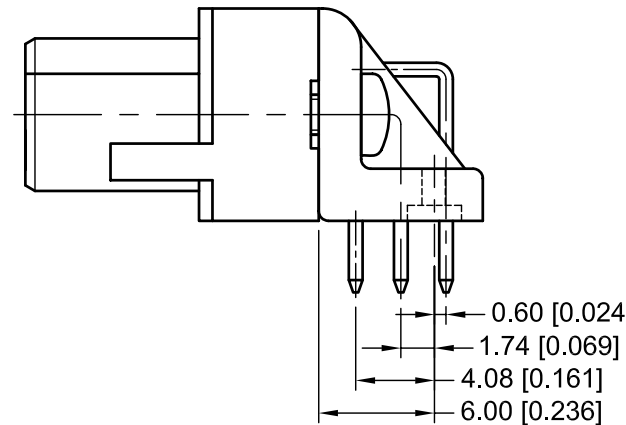
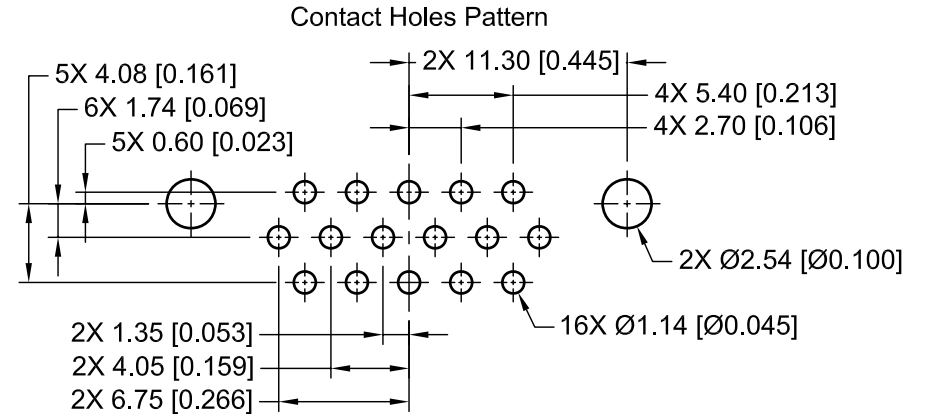
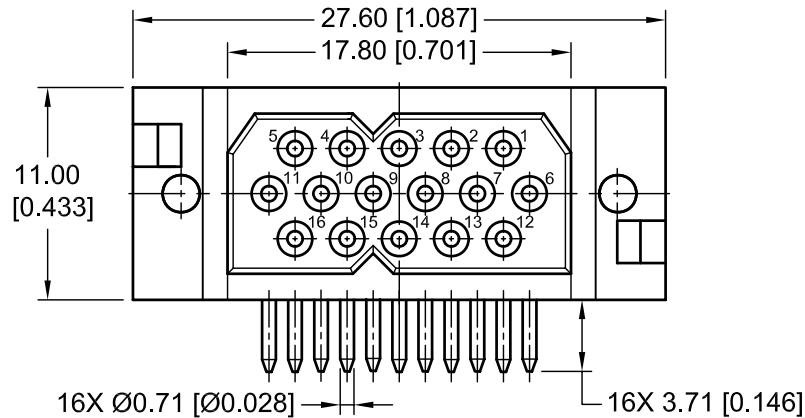
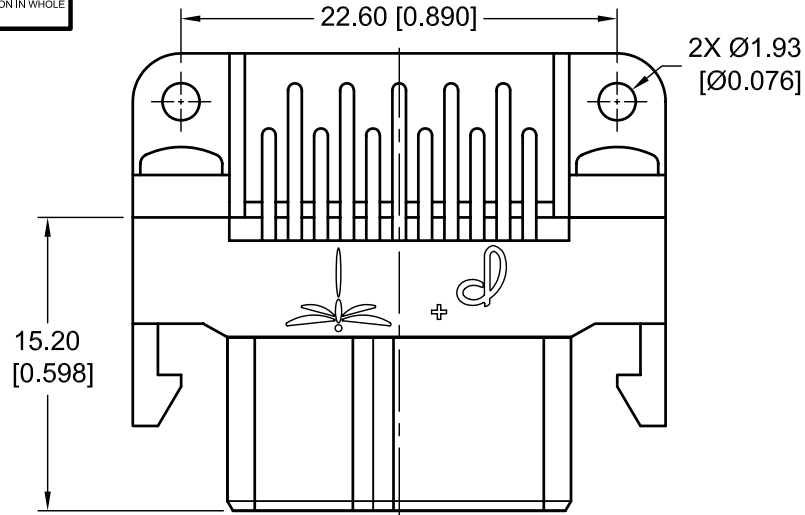


POSITRONIC ASIA PTE. LTD. BELIEVES THE DATA ON THE DRAWING TO BE RELIABLE. SINCE THE TECHNICAL INFORMATION IS GIVEN FREE OF CHARGE, THE USER EMPLOYS SUCH INFORMATION AT HIS OWN DISCRETION AND RISK. POSITRONIC ASIA PTE. LTD. ASSUMES NO RESPONSIBILITY FOR RESULTS OBTAINED OR DAMAGES INCURRED FROM USE OF SUCH INFORMATION IN WHOLE OR IN PART.

| DATE | REV | REVISION RECORD | DRN | CKD | APP |
|----------|-----|-----------------|-----|-----|-----|
| 1 MAR 06 | NC | PA ECO 05241 | EH | KS | EC |



NOTES:

1) MATERIALS AND FINISHES:

(A) INSULATOR: GLASS FILLED NYLON, UL 94V-0 OR EQUIVALENT. COLOR: GREEN.

(B) CONTACTS: PRECISION MACHINED COPPER ALLOY WITH GOLD FLASH OVER NICKEL.



POSITRONIC ASIA PTE. LTD.
 3014A UBI ROAD 1, #07-01. SINGAPORE 408703.
 Tel: (65) 6842-1419 / Fax: (65) 6842-1421 / Email: singapore@connectpositronic.com

| | | | | | |
|--|------------------|----------------------------|--------------|---------|------------|
| GENERAL TOL. LINEAR : ±0.38[0.015] ANGULAR : ±5° | SERIES DF | SCALE NTS | DRAWN EH | CHECKED | APPROVED |
| | TITLE DF16F4B | | | | |
| UNLESS OTHERWISE SPECIFIED, ALL DIMENSIONS ARE IN MILLIMETERS [INCHES] | DATE 1 MAR 06 | DRAWING NUMBER ASK20476 | SHEET 1 OF 1 | | REV. NC |