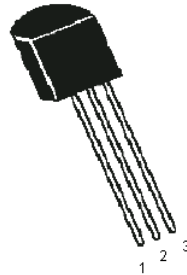


General Purpose Transistor



Pin Configuration:

1. Collector
2. Base
3. Emitter

Features:

- NPN general purpose transistors, especially suited for use in driver stages of audio amplifiers, low noise input stages of tape recorders, HI-FI amplifiers, signal processing circuits of television receivers

Absolute Maximum Ratings ($T_a = 25^\circ\text{C}$ unless otherwise specified)

Parameters	Symbol	Value	Unit
Collector Emitter Voltage	V_{CEO}	45	V
Collector Emitter Voltage	V_{CES}	50	
Collector Base Voltage	V_{CBO}		
Emitter Base Voltage	V_{EBO}	6	
Collector Current Continuous	I_C	100	mA
Peak	I_{CM}	200	
Base Current Peak	I_{BM}	200	
Emitter Current Peak	I_{EM}		
Power Dissipation at $T_a = 25^\circ\text{C}$ Derate above 25°C	P_{TA}	500 4	mW mW/ $^\circ\text{C}$
Storage Temperature	T_{stg}	-65 to +150	$^\circ\text{C}$
Junction Temperature	T_j	150	

Thermal Resistance

Junction to Ambient	$R_{th(j-a)}$	250	$^\circ\text{C}/\text{W}$
---------------------	---------------	-----	---------------------------

General Purpose Transistor

Electrical Characteristics ($T_a = 25^\circ\text{C}$ unless otherwise specified)

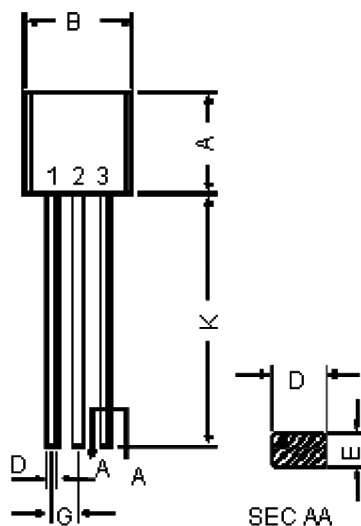
Parameters	Symbol	Test Condition	Value	Unit
Collector Emitter Voltage	V_{CEO}	$I_C = 1\text{mA}, I_B = 0$	>45	V
Collector Base Voltage	V_{CBO}	$I_C = 10\mu\text{A}, I_E = 0$	>50	
Emitter Base Voltage	V_{EBO}	$I_E = 10\mu\text{A}, I_C = 0$	>6	
Collector Cut off Current	I_{CBO}	$V_{CB} = 30\text{V}, I_E = 0$ $T_J = 150^\circ\text{C}$ $V_{CB} = 30\text{V}, I_E = 0$	<50 <5	nA μA
	I_{CES}	$V_{CE} = 50\text{V}, V_{BE} = 0$ $T_J = 125^\circ\text{C}$	<15	nA
Collector Cut off Current		$V_{CE} = 50\text{V}, V_{BE} = 0$	<4	μA
DC Current Gain	h_{FE}	$I_C = 2\text{mA}, V_{CE} = 5\text{V}$	200	-
Collector Emitter Saturation Voltage	$V_{CE(sat)}$	$I_C = 10\text{mA}, I_B = 0.5\text{mA}$ $I_C = 100\text{mA}, I_B = 5\text{mA}$	<0.25 <0.6	V
Base Emitter Saturation Voltage	$V_{BE(sat)}$	$I_C = 10\text{mA}, I_B = 0.5\text{mA}$ $I_C = 100\text{mA}, I_B = 5\text{mA}$	Typical 0.7 Typical 0.9	
Base Emitter On Voltage	$V_{BE(on)}$	$I_C = 2\text{mA}, V_{CE} = 5\text{V}$ $I_C = 10\text{mA}, V_{CE} = 5\text{V}$	0.55 - 0.7 <0.72	

Dynamic Characteristics

Transition Frequency	f_T	$I_C = 10\text{mA}, V_{CE} = 5\text{V}$ $f = 100\text{MHz}$	Typical 300	MHz
Collector Output Capacitance	C_{cbo}	$V_{CB} = 10\text{V}, f = 1\text{MHz}$	<4.5	pF
Emitter Input Capacitance	C_{ib}	$V_{EB} = 0.5\text{V}, f = 1\text{MHz}$	Typical 9	
Noise Figure	NF	$I_C = 0.2\text{mA}, V_{CE} = 5\text{V}$ $R_s = 1\text{k}\Omega, f = 200\text{Hz}$	<10	dB
Small Signal Current Gain	h_{fe}	$I_C = 2\text{mA}, V_{CE} = 5\text{V}$	Typical 330	-
Input Impedance	h_{ie}		3.2 - 8.5	k Ω
Voltage Feedback Ratio	h_{re}		Typical 2	$\times 10^{-4}$
Output Impedance	h_{oe}		<60	$\mu\Omega$

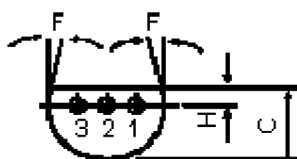
General Purpose Transistor

TO-92 Plastic Package



Dimensions	Minimum	Maximum
A	4.32	5.33
B	4.45	5.2
C	3.18	4.19
D	0.41	0.55
E	0.35	0.5
F	5°	
G	1.14	1.4
H		1.53
K	12.7	-

Dimensions : Millimetres



Part Number Table

Description	Part Number
Transistor, NPN, TO-92	BC547B

Important Notice : This data sheet and its contents (the "Information") belong to the members of the Premier Farnell group of companies (the "Group") or are licensed to it. No licence is granted for the use of it other than for information purposes in connection with the products to which it relates. No licence of any intellectual property rights is granted. The Information is subject to change without notice and replaces all data sheets previously supplied. The Information supplied is believed to be accurate but the Group assumes no responsibility for its accuracy or completeness, any error in or omission from it or for any use made of it. Users of this data sheet should check for themselves the Information and the suitability of the products for their purpose and not make any assumptions based on information included or omitted. Liability for loss or damage resulting from any reliance on the Information or use of it (including liability resulting from negligence or where the Group was aware of the possibility of such loss or damage arising) is excluded. This will not operate to limit or restrict the Group's liability for death or personal injury resulting from its negligence. Multicomp is the registered trademark of the Group. © Premier Farnell plc 2012.