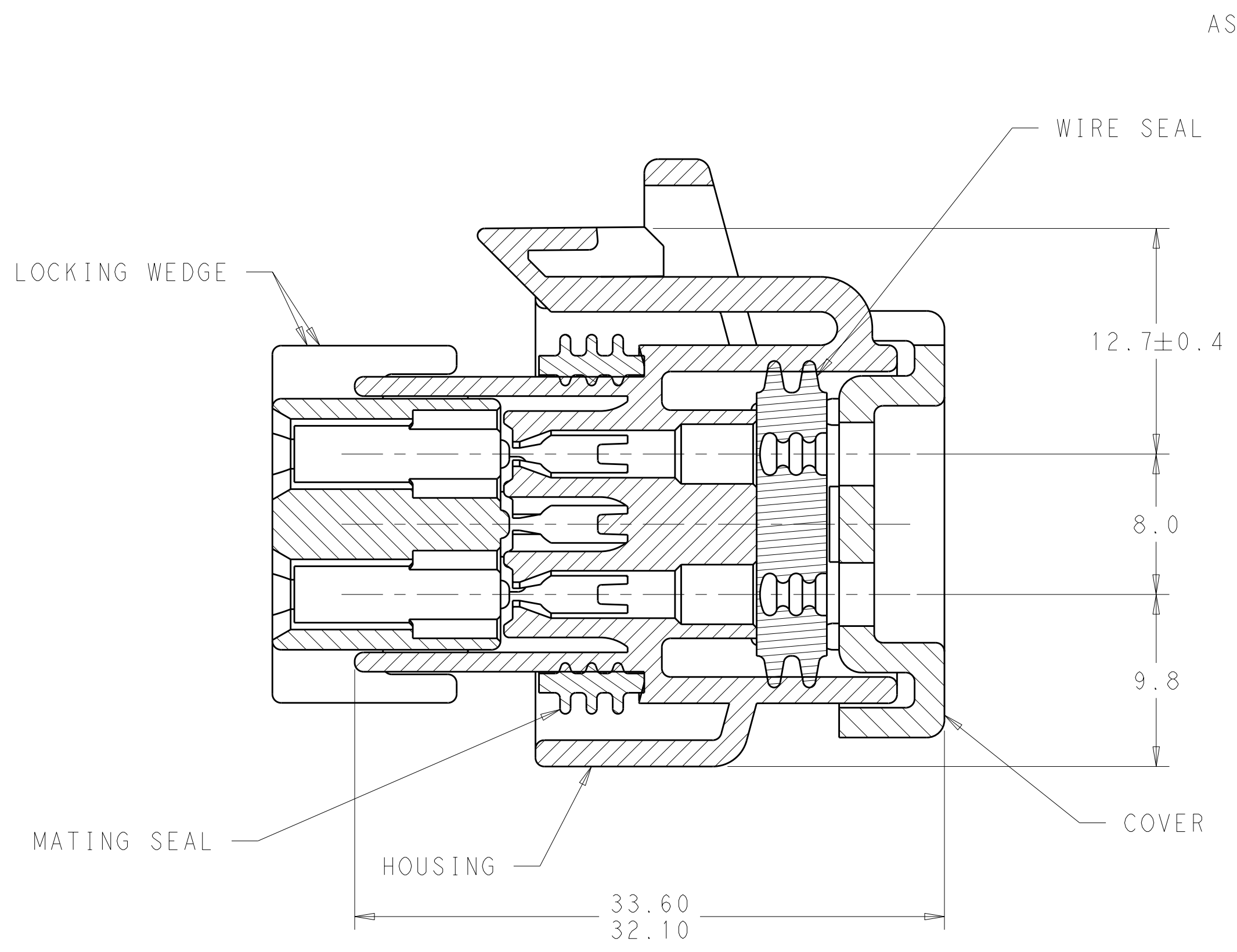
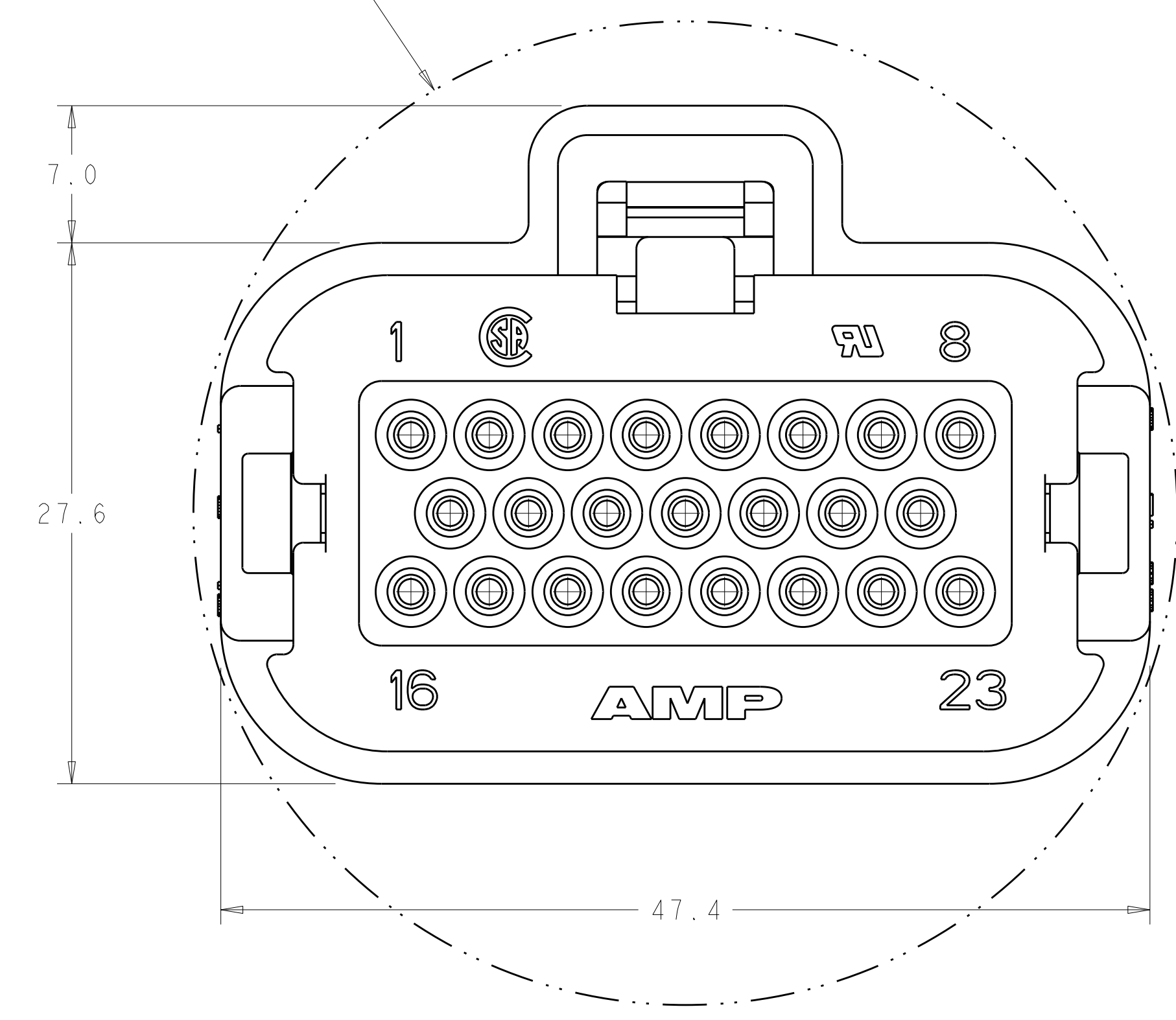


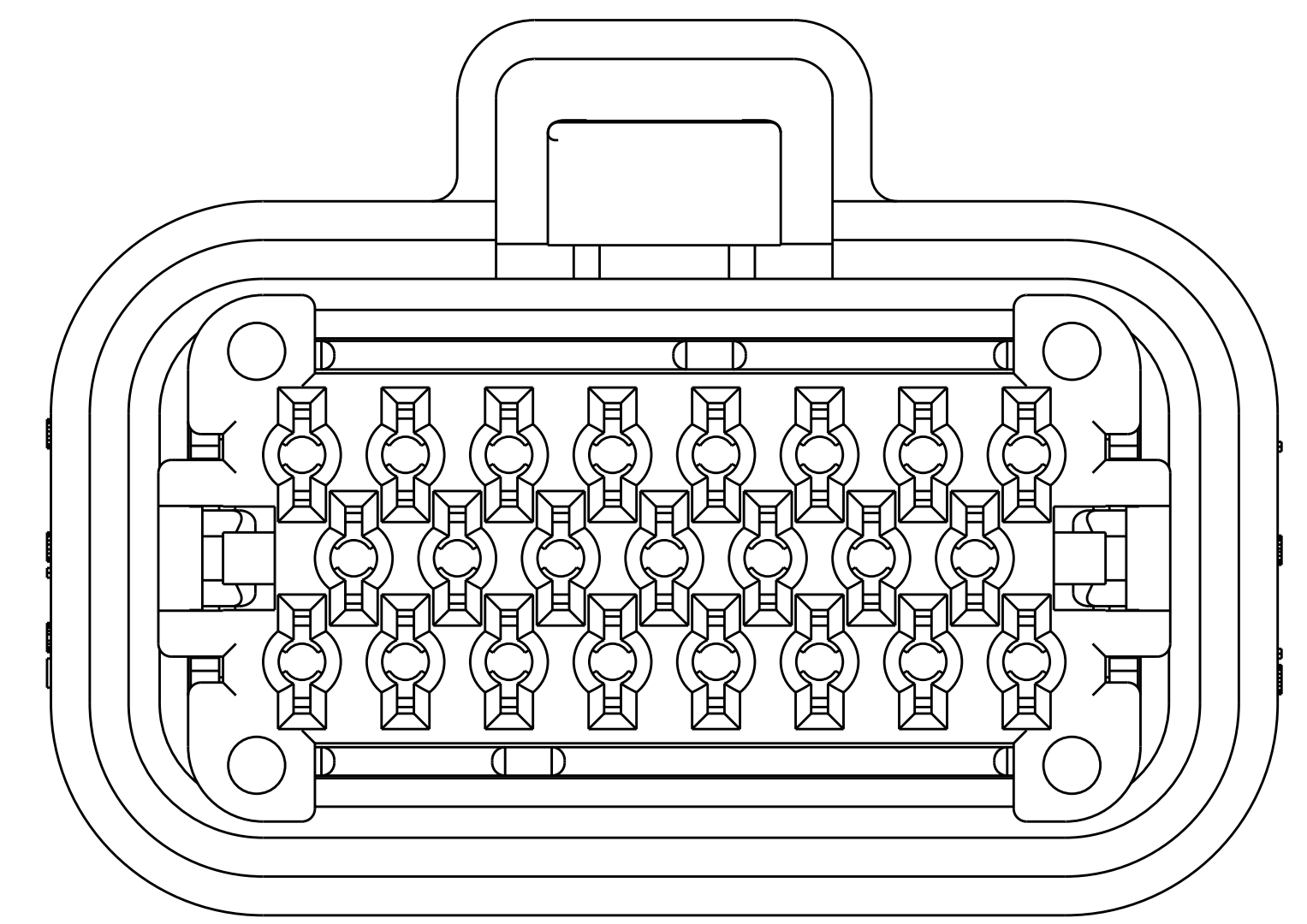
| LOC | DIST | REVISIONS                 |           |     |      |
|-----|------|---------------------------|-----------|-----|------|
| P   | LTR  | DESCRIPTION               | DATE      | DWN | APVD |
| J   |      | REVISED PER ECO-09-022386 | 03NOV2009 | RGV | DCS  |
| K   |      | REVISED PER ECO-10-005844 | 18MAR2010 | DLD | DCS  |



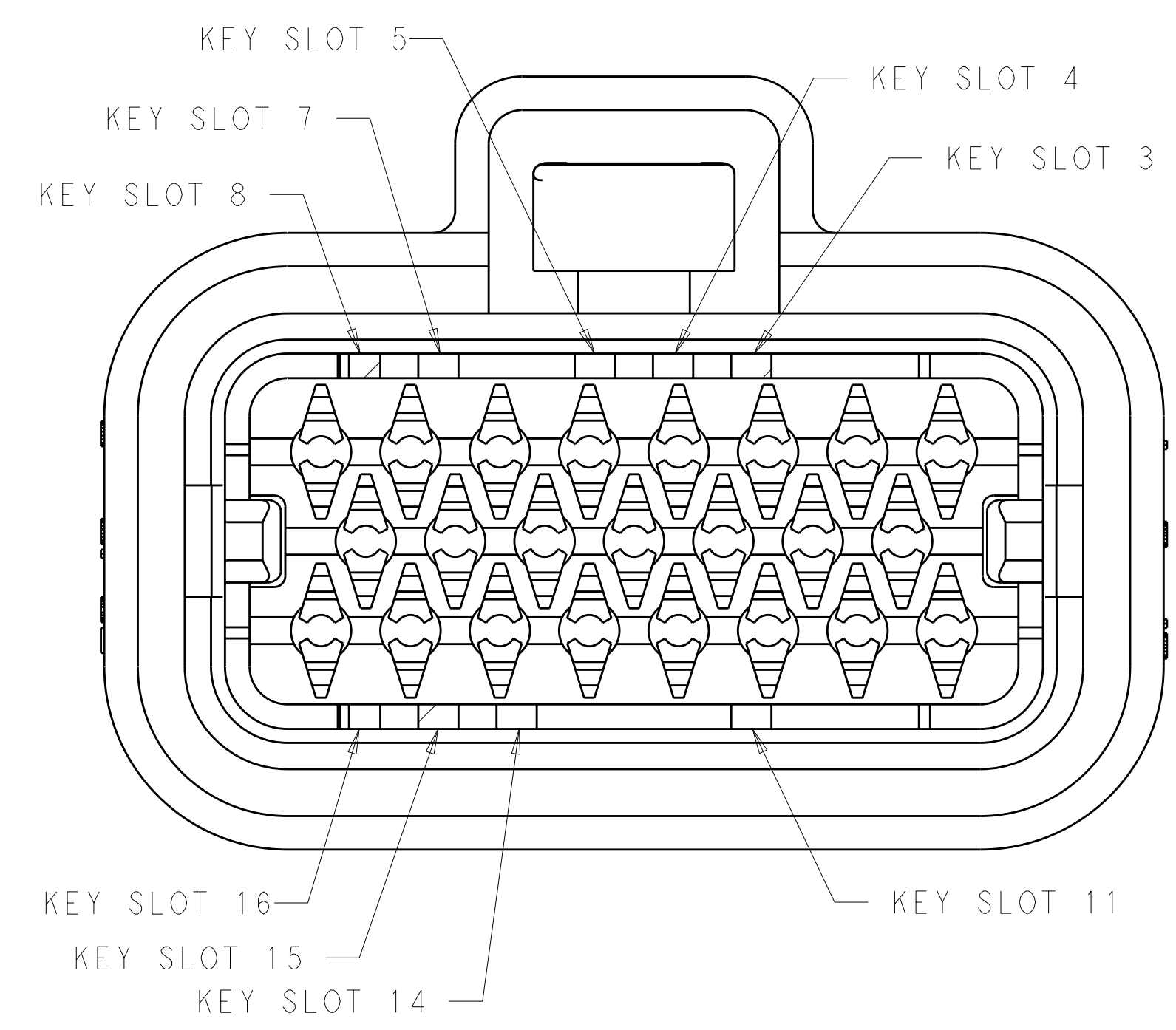
ASSEMBLY WILL PASS THRU Ø50 OPENING



△ HOUSING COLORS ARE MECHANICALLY KEYED TO MATE WITH IDENTICALLY COLORED HEADER ASSEMBLIES.  
 2. 770680-1 SHOWN



BOTTOM VIEW WITH LOCKING WEDGE



KEY SLOT LOCATIONS

|                                    |             |
|------------------------------------|-------------|
| 3, 8 & 16                          | 770680-5    |
| 7 & 15                             | 770680-4    |
| 4 & 14                             | 770680-3    |
| 5 & 11                             | 770680-2    |
| 4 & 14                             | 770680-1    |
| KEY SLOT LOCATION (SEE VIEW ABOVE) | PART NUMBER |

|                         |                      |                      |               |              |                        |             |
|-------------------------|----------------------|----------------------|---------------|--------------|------------------------|-------------|
| GLASS FILLED PBT, BLACK | SILICONE RUBBER, RED | SILICONE RUBBER, RED | PBT, RED      | PBT, BLUE    | NONE                   | 770680-5    |
|                         |                      |                      |               | PBT, GRAY    | NONE                   | 770680-4    |
|                         |                      |                      |               | PBT, BLACK   | 3, 7, 16, 17, 21, 22   | 770680-3    |
|                         |                      |                      |               | PBT, NATURAL | NONE                   | 770680-2    |
|                         |                      |                      |               | PBT, BLACK   | NONE                   | 770680-1    |
| COVER                   | WIRE SEAL            | MATING SEAL          | LOCKING WEDGE | △ HOUSING    | CIRCUITS MOLDED CLOSED | PART NUMBER |

|                    |  |  |  |   |  |  |  |
|--------------------|--|--|--|---|--|--|--|
| DIMENSIONS: mm<br> |  | TOLERANCES UNLESS OTHERWISE SPECIFIED:<br>9 PLC ±<br>1 PLC ±0.2<br>2 PLC ±<br>3 PLC ±<br>4 PLC ±<br>ANGLES ±<br>FINISH ± |  | DWN R. VESTAL 08SEP2009<br>CHK D. STRAUSSER 08SEP2009<br>APVD D. STRAUSSER 08SEP2009<br>PRODUCT SPEC 108-1329<br>APPLICATION SPEC 114-16016<br>WEIGHT -<br>CUSTOMER DRAWING |  | Tyco Electronics<br>Harrisburg, PA 17105-3608<br>NAME PLUG ASSEMBLY, 23 POSITION, AMPSEAL<br>SIZE CAGE CODE DRAWING NO RESTRICTED TO A 100779 C-770680<br>SCALE 4:1 SHEET 1 OF 1 REV K |  |
|--------------------|--|--|--|---|--|--|--|