

PRODUCT NUMBER

71918-YXXLF

WHEN REQUIRED, ADD SUFFIX LETTER "LF"
INDICATES THE PRODUCT IS RoHS
COMPATIBLE, SEE NOTE 10

TOTAL NB OF POSITIONS, SEE SHEET 2

LATCHING

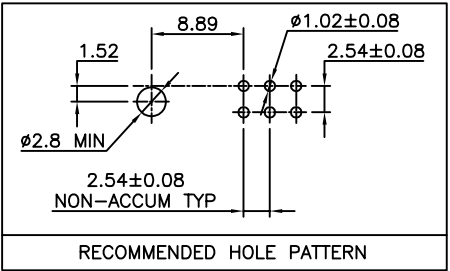
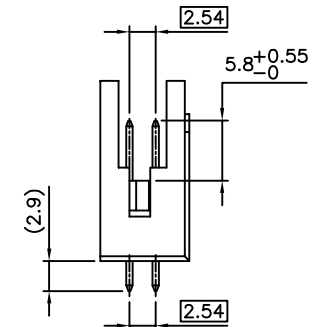
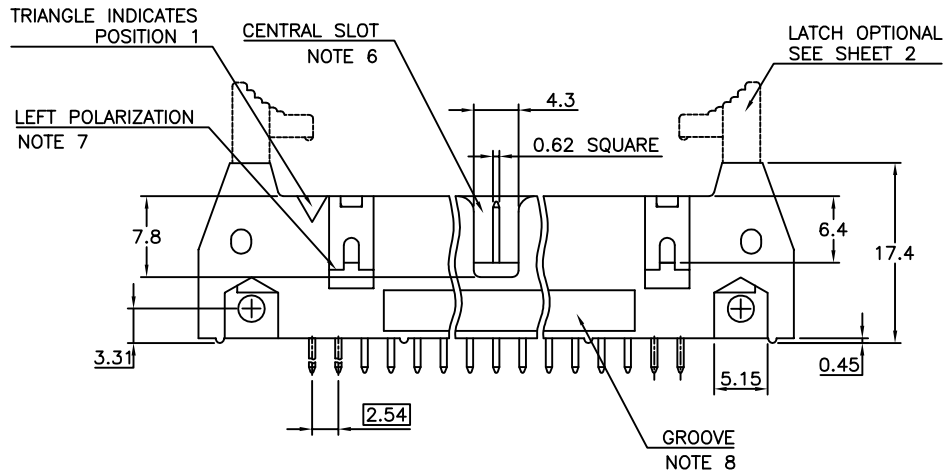
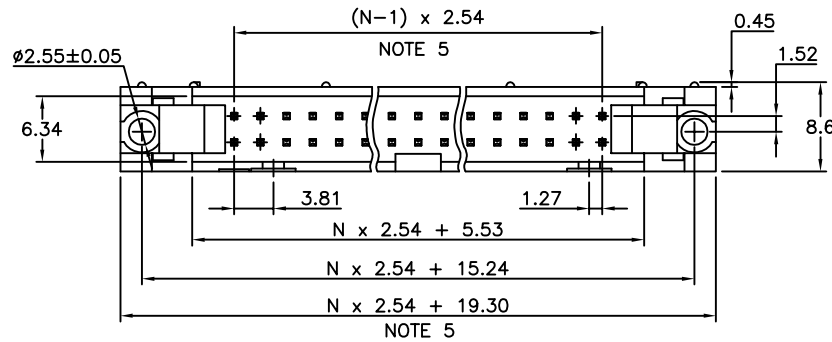
0= WITHOUT LATCH

1= STANDARD LATCH

2= LOW PROFILE LATCH

NOTES:

- 1 - HOUSING MAT'L : GLASS FILLED THERMOPLASTIC. UL94V-0 COLOR: GREY
- 2 - PIN MATERIAL : PHOSPHOR BRONZE
- 3 - PRODUCT PACKAGED IN TUBES
- 4 - 40N MIN LATCH RETENTION FORCE AT FIRST EXTRACTION
- 5 - TO DETERMINE DIMENSIONS :
N = NUMBER OF POSITIONS PER ROW
EXAMPLE : 8 POS N x 2.54 = 20.32mm
- 6 - NO CENTRAL SLOT ON POSITIONS 6 & 8
- 7 - NO LEFT POLARIZATION ON POSITIONS 06, 08, 10, 14.
- 8 - NO GROOVE ON POSITIONS 06, 08, 10, 14, 30, 34
- 9 - 4.5mm SOLDER TAIL
ORDER 71918-4XX (WITH STANDARD LATCH ONLY)
- 10 - RoHS COMPATIBLE PRODUCT SPECIFICATIONS
 - a - PLATING:
 - "LF" MEANS THE PRODUCT IS LEAD-FREE, 2µm MINIMUM MATTE TIN OVER 1.27µm MINIMUM NICKEL UNDERPLATE.
 - b - MANUFACTURING PROCESS COMPATIBILITY
 - THE HOUSING WILL WITHSTAND EXPOSURE TO 260°C ±5°C SOLDER BATH TEMPERATURE FOR 5 SECONDS IN A WAVE SOLDER APPLICATION WITH A 1.6mm MIN THICK CIRCUIT BOARD.
 - c - LABELING:
 - MEETS PACKAGING SPECS AS PER GS-14-920
 - d - LEGAL STATEMENT: SEE GS-47-0004.



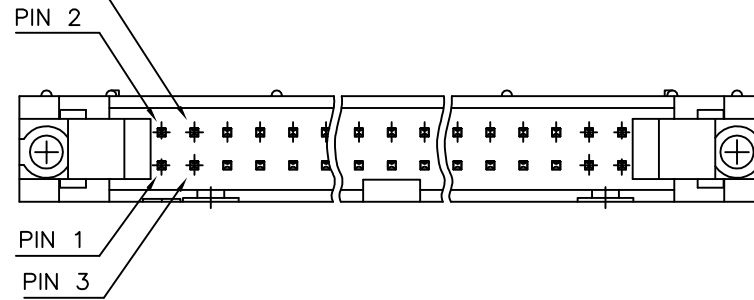
mat'l. code		surface		tolerance		projection		product family	
SEE NOTES		ISO 1302		ISO 406 ISO 1101		mm		QUICKIE	
ltr	ecn no	dr	date	tolerances unless otherwise specified		mm		title	
Y	F12-0838	LMU	12.12.06	angles	.X ±0.3	mm		SHR.EL.HEADER	
				linear	.XX ±0.13	scale 2:1		STR DR TMT	
T	F06-0229	LMU	06.07.17		.XXX ±0.05			dwg no	
U	F07-0195	LMU	07.05.25	dr	D.LE	01.01.24		sheet 1 of 2	
V	F08-0146	YOY	08.04.11	engr	JM.C	01.01.24		size	
W	F09-0232	LMU	09.12.15	chr	JF.N	01.01.24		71918	
X	F12-0011	LMU	12.02.06	appd	JM.C	01.01.24		A3	
sheet index		revision sheet		Y	U			type	
		1 2						CUSTOMER Drawing	

PRODUCT NUMBER	SIZE	LATCHING AVAILABILITY	MISSING PIN POSITIONS
71918-X06(LF)	2x3	0/1/2	
71918-X08(LF)	2x4	0/1/2	
71918-X10(LF)	2x5	0/1/2	
71918-X14(LF)	2x7	0/1/2	
71918-X16(LF)	2x8	0/1/2	
71918-X18(LF)	2x9	0/1/2	
71918-X20(LF)	2x10	0/1/2	
71918-X26(LF)	2x13	0/1/2	
71918-X27(LF)	2x13	0/1/2	PIN 21 & 22
71918-X30(LF)	2x15	0/1/2	
71918-X34(LF)	2x17	0/1/2	
71918-X35(LF)	2x17	0/1/2	PIN 2 & 3
71918-X40(LF)	2x20	0/1/2	
71918-X44(LF)	2x22	0/1/2	
71918-X50(LF)	2x25	0/1/2	
71918-X51(LF)	2x25	0/1/2	PIN 39 to 46
71918-X60(LF)	2x30	0/1/2	
71918-X64(LF)	2x32	0/1/2	

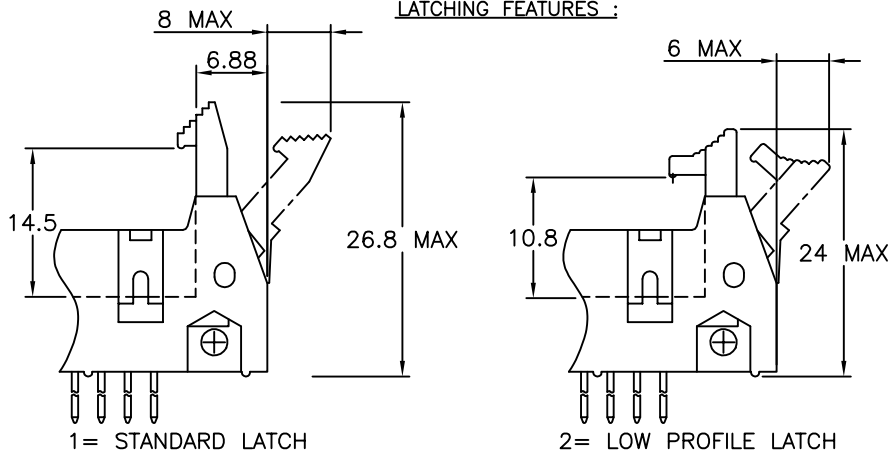
PLATING :

- 0.76µm GOLD/GXT (PdNi WITH GOLD FLASH) ON CONTACT AREA
- 3.81µm TIN-LEAD ON TAIL
- UNDERPLATE : 1.27µm Ni MIN
- WHEN SUFFIX LETTER "LF" IS REQUIRED, 2µm MIN MATTE TIN OVER 1.27µm MIN NICKEL IS PROVIDED INSTEAD OF TIN-LEAD

PIN 4 PIN POSITION INDICATION FOR POLARIZED VERSIONS



LATCHING FEATURES :



mat'l. code		surface		tolerance		projection		product family	
		ISO 1302		ISO 406 ISO 1101		mm		QUICKIE	
ltr	ecn no	dr	date	tolerances unless otherwise specified				title	
R	F07-0195	LMU	07.05.25	angles	.X ±0.3			SHR.EL.HEADER	
S	F08-0146	YOV	08.04.11	linear	.XX ±0.15			STR DR TMT	
T	F12-0011	LMU	12.02.06		.XXX ±0.05	scale 2:1			
U	F12-0838	LMU	12.12.06	dr	D.LE	01.01.24		dwg no	
				engr	JM.C	01.01.24		sheet 2 of - size	
N	F04-0389	LMU	04.12.22	chr	JF.N	01.01.24		71918 A3	
P	F06-0229	LMU	06.07.17	appd	JM.C	01.01.24		type CUSTOMER Drawing	
sheet index	revision sheet								