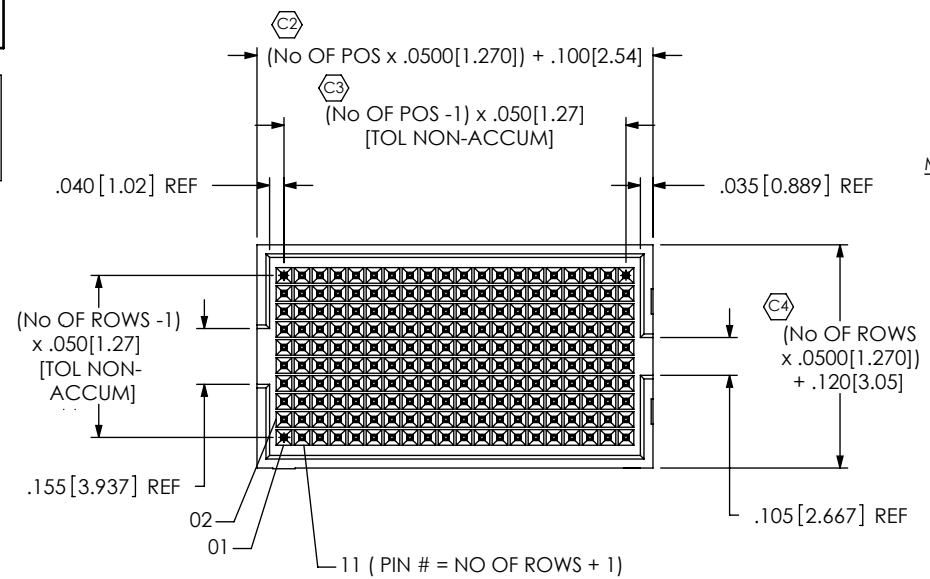


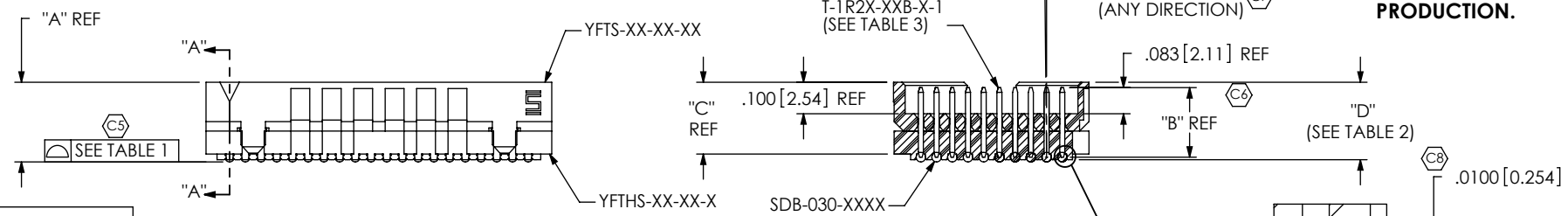
REVISION X

DO NOT SCALE FROM THIS PRINT



- YFW-XX-XX-X-XX-XSB-XX**
- No OF POSITIONS**
-20 THRU -50 (MULTIPLES OF 10 ONLY)
 - MATED STACK HEIGHT w/ YFS**
-07: 7mm
-09: 9mm
-12: 12mm
-19: 19mm (SEE FIG. 2)
-25: 25mm (SEE FIG. 2)
 - PLATING SPECIFICATION**
-H: HEAVY GOLD (USE T-1R2X-XXB-H-1)
-E: EXTRA GOLD (USE T-1R2X-XXB-E-1)
 - ROW SPECIFICATION**
-05: FIVE ROWS
-08: EIGHT ROWS (AVAILABLE ON -07, -09 & -12 MATED STACKS ONLY)
-10: TEN ROWS
 - OPTION**
** -K: KAPTON PAD (SEE FIG. 3) (AVAILABLE ON -07, -09 & -12 MATED STACKS ONLY)
-TR: TAPE & REEL [STACK HEIGHT -07 & -09: ALL POSITIONS -12: POSITIONS UP TO 40x10 -19 & -25: NOT AVAILABLE]
-P: PICK AND PLACE PAD (SEE FIG 4)
 - SOLDER BALLS**
-SB: SOLDER BALLS (USE SDB-030-6337)
* -MSB: MODIFIED SOLDER BALLS- Pb FREE (USE SDB-030-9653)

**** DO NOT DESIGN IN FOR 10-ROW VERSION. ONLY EXISTING CUSTOMERS, AS OF 2/10/06, WILL BE SUPPORTED. -P OPTION SHOULD BE USED FOR 10-ROW VERSION.**



*** = NOT RELEASE FOR PRODUCTION.**

TABLE 1

No OF POS	ROW SPEC	COPLANARITY
-20	-05	.004[.10]
-30	-05	.006[.15]
-20 & -30	-08, -10	.006[.15]
-40	-05, -08, -10	.008[.20]
-50	-05	.008[.20]
-50	-08, -10	.010[.25]

TABLE 2

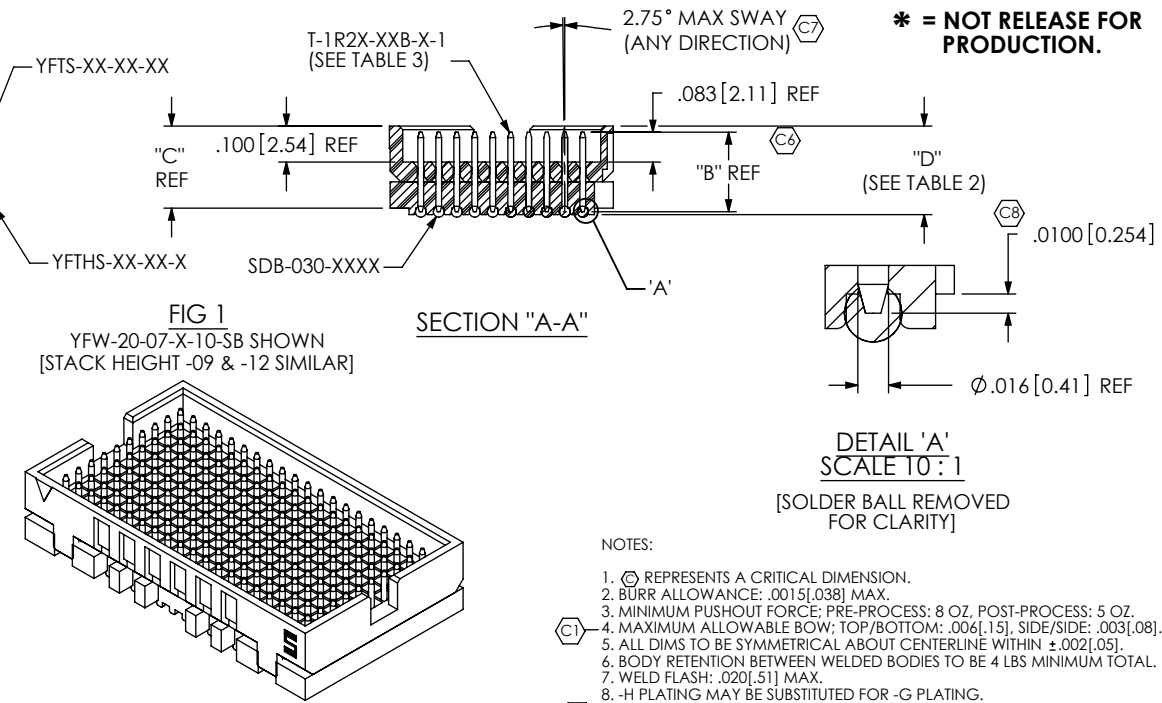
STACK HEIGHT	"A" REF	"B" REF	"C"	"D"	MATED HEIGHT w / YFS
-07	.258[6.55]	.221[5.61]	.228[5.79]	.246[6.25]	.276[7.00]
-09	.335[8.51]	.299[7.59]	.306[7.77]	.324[8.23]	.354[9.00]
-12	.453[11.51]	.417[10.59]	.424[10.77]	.442[11.23]	.472[12.00]
-19	.728[18.49]	.692[17.58]	.699[17.75]	.717[18.21]	.748[19.00]
-25	.964[24.49]	.928[23.57]	.935[23.75]	.953[24.21]	.984[25.00]

TABLE 3

STACK HEIGHT	TERMINAL	USE YFTS	USE YFTM	USE YFTHS
-07	T-1R24-07B-X-1	YFTS-XX-01-XX	N/A	YFTHS-XX-XX-X
-09	T-1R24-09B-X-1	YFTS-XX-02-XX	N/A	YFTHS-XX-XX-X
-12	T-1R27-12B-X-1	YFTS-XX-03-XX	N/A	YFTHS-XX-XX-X
-19	T-1R27-19B-X-1	YFTS-XX-01-XX	YFTM-XX-19-XX	YFTHS-XX-XX-X
-25	T-1R27-25B-X-1	YFTS-XX-01-XX	YFTM-XX-25-XX	YFTHS-XX-XX-X

TABLE 4

ROW	USE YFTS	USE YFTM	USE YFTHS
-05	YFTS-XX-XX-05	YFTM-XX-XX-05	YFTHS-XX-05-X
-08	YFTS-XX-XX-08	---	YFTHS-XX-08-X
-10	YFTS-XX-XX-10	YFTM-XX-XX-10	YFTHS-XX-10-X

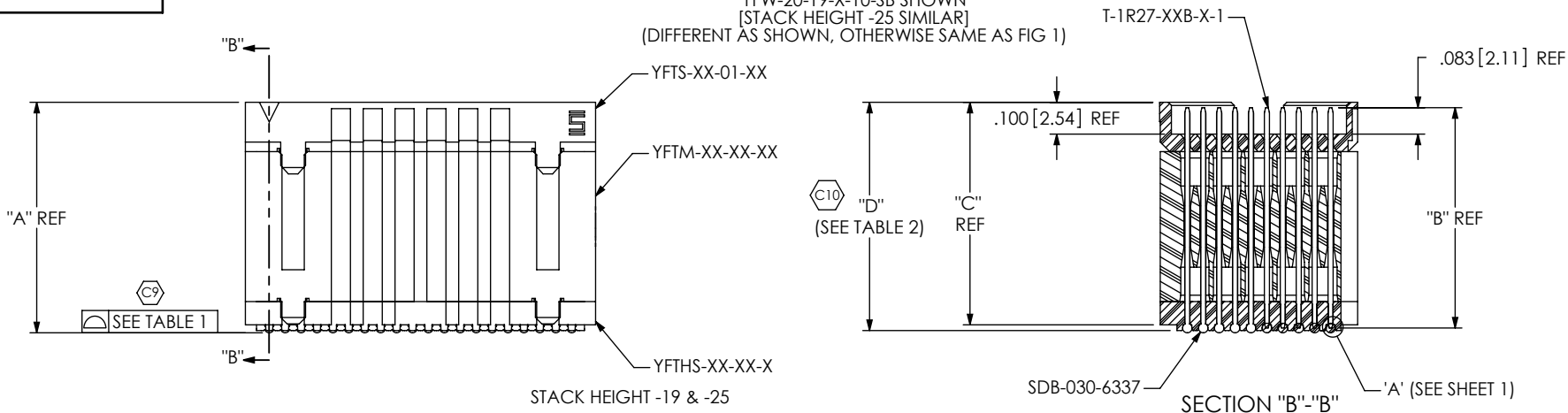


- NOTES:
- ⊙ REPRESENTS A CRITICAL DIMENSION.
 - BURR ALLOWANCE: .0015[.038] MAX.
 - MINIMUM PUSHOUT FORCE: PRE-PROCESS: 8 OZ, POST-PROCESS: 5 OZ.
 - MAXIMUM ALLOWABLE BOW; TOP/BOTTOM: .006[.15], SIDE/SIDE: .003[.08].
 - ALL DIMS TO BE SYMMETRICAL ABOUT CENTERLINE WITHIN ±.002[.05].
 - BODY RETENTION BETWEEN WELDED BODIES TO BE 4 LBS MINIMUM TOTAL.
 - WELD FLASH: .020[.51] MAX.
 - H PLATING MAY BE SUBSTITUTED FOR -G PLATING.
 - NOTE DELETED.

UNLESS OTHERWISE SPECIFIED, DIMENSIONS ARE IN INCHES. TOLERANCES ARE: DECIMALS ANGLES .XX: ±.01[.3] ± 2° .XXX: ±.005[.13] .XXXX: ±.0020[.051]	PROPRIETARY NOTE THIS DOCUMENT CONTAINS INFORMATION CONFIDENTIAL AND PROPRIETARY TO SAMTEC, INC. AND SHALL NOT BE REPRODUCED OR TRANSFERRED TO OTHER DOCUMENTS OR DISCLOSED TO OTHERS OR USED FOR ANY PURPOSE OTHER THAN THAT WHICH IT WAS OBTAINED WITHOUT THE EXPRESSED WRITTEN CONSENT OF SAMTEC, INC.	<p>520 PARK EAST BLVD, NEW ALBANY, IN 47150 PHONE: 812-944-6733 FAX: 812-948-5047 e-Mail: info@SAMTEC.com code: 53322</p>
	MATERIAL: DO NOT SCALE DRAWING SHEET SCALE: 1.875:1 INSULATOR: LCP, COLOR: BLACK TERMINAL: BRASS SOLDER BALL: 63% TIN/ 37% LEAD	

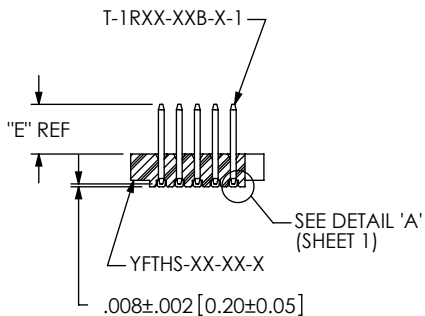
FIG 2

YFW-20-19-X-10-SB SHOWN
[STACK HEIGHT -25 SIMILAR]
(DIFFERENT AS SHOWN, OTHERWISE SAME AS FIG 1)



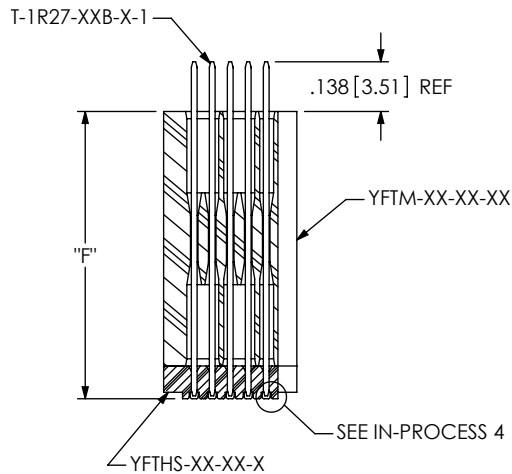
IN-PROCESS 1

STACK HEIGHT -07, -09 & -12



STACK HEIGHT	"E"
-07	.138[3.51]
-09	.216[5.49]
-12	.334[8.48]

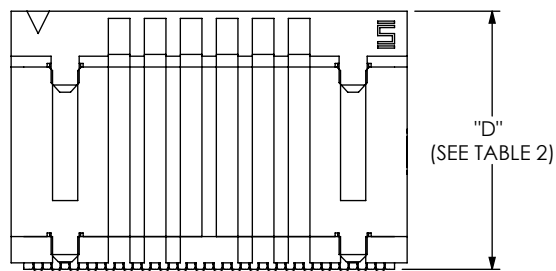
IN-PROCESS 1 & 2



STACK HEIGHT	"F"
-19	.5620[14.275]
-25	.7980[20.269]

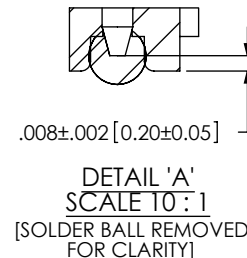
IN-PROCESS 3

STACK HEIGHT -19 & -25



IN-PROCESS 4

RE-PRESS
STACK HEIGHT -19 & -25



PROPRIETARY NOTE

THIS DOCUMENT CONTAINS INFORMATION CONFIDENTIAL AND PROPRIETARY TO SAMTEC, INC. AND SHALL NOT BE REPRODUCED OR TRANSFERRED TO OTHER DOCUMENTS OR DISCLOSED TO OTHERS OR USED FOR ANY PURPOSE OTHER THAN THAT WHICH IT WAS OBTAINED WITHOUT THE EXPRESSED WRITTEN CONSENT OF SAMTEC, INC.

DO NOT SCALE DRAWING

SHEET SCALE: 1.875:1



520 PARK EAST BLVD, NEW ALBANY, IN 47150
PHONE: 812-944-6733 FAX: 812-948-5047
e-Mail: info@SAMTEC.com code: 55322

DESCRIPTION:
Flex, Y, Z, .050 CENTERLINE TERMINAL ASSEMBLY

DWG. NO.
YFW-XX-XX-X-XX-XSB-XX

BY: DEAN P 5/11/2001 SHEET 2 OF 4

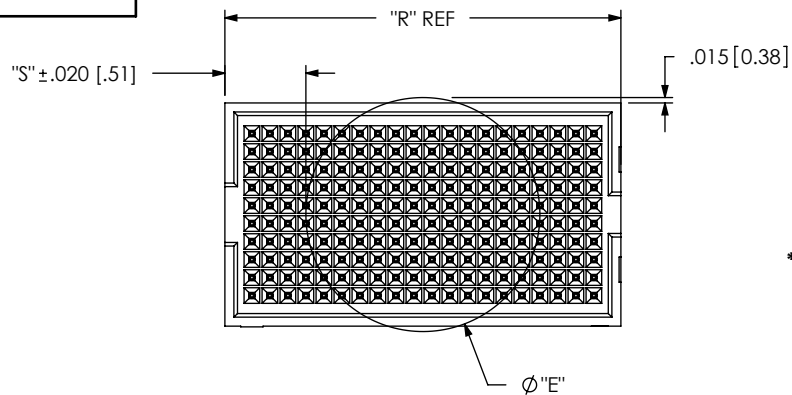


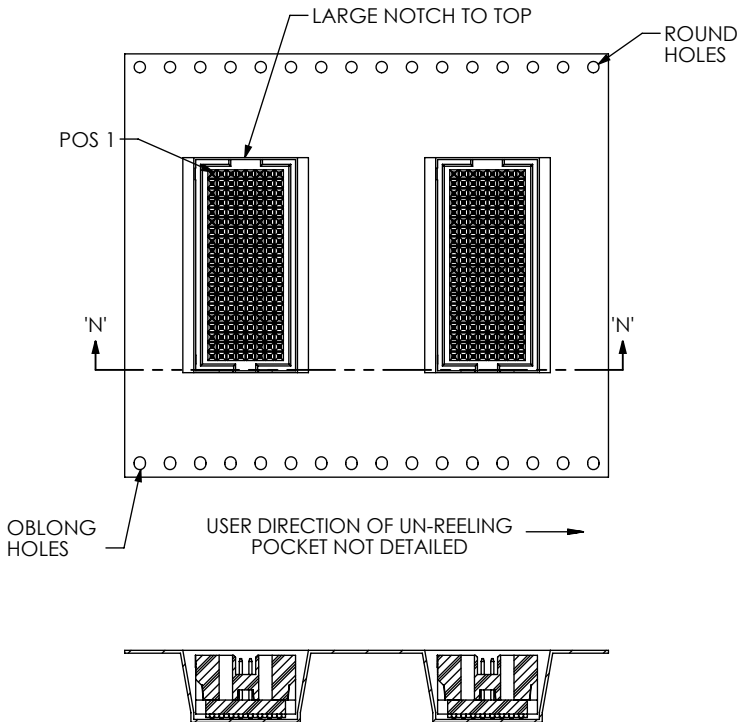
FIG 3
 -K: KAPTON PAD OPTION
 YFW-20-XX-X-10-SB-K SHOWN
 [KAPTON = .005 THICK]

TABLE 7		
ROW OPTION	"E"	KAPTON TAPE
-05	.404 [10.25]	K-850-650
-08	.550 [13.97]	K-850-650
-10**	.650 [16.50]	K-1000-800

**** DO NOT DESIGN IN FOR 10-ROW VERSION. ONLY EXISTING CUSTOMERS, AS OF 2/10/06, WILL BE SUPPORTED. -P OPTION SHOULD BE USED FOR 10-ROW VERSION.**

"R" = (No OF POSITIONS x .0500[1.270]) + .100[2.54]
 "S" = ("R" - "E" / 2)

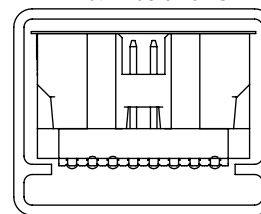
TAPE AND REEL VIEW



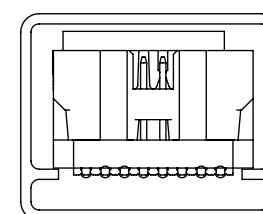
SECTION 'N'-'N'
 SCALE 1:1

(PARTS TO HAVE POSITION #1 LOADED IN SAME DIRECTION AS ARROW ON TUBE)

-08 ROW
 YFW-XX-09-X-08-SB SHOWN



-08 ROW
 YFW-XX-09-X-08-SB-P SHOWN



PACKAGING TUBES

ROW	STACK HEIGHT	TUBE W/ NONE, -K	TUBE W/ -P	PLUG
-05	-07	PT-1-24-07F-109	PT-YFW-07F-P	TP-29
-05	-09	PT-1-24-09F-109	PT-YFW-09F-P	TP-29
-05	-12	PT-YFW-12F-P	PT-YFW-12F-P	TP-13
-05	-19	PT-1-24-19F-109	PT-1-24-01-131	TP-13
-05	-25	PT-1-24-25F-109	PT-YFW-25F-P	TP-29
-08	-07	PT-YFW-07E-P	PT-YFW-07E-P	TP-13
-08	-09	PT-1-24-09E-109	PT-YFW-09E-P	TP-29
-08	-12	PT-1-24-12E-109	PT-YFW-12E-P	TP-29
-10	-07	PT-1-24-07T-109	PT-1-24-07T-109	TP-13
-10	-09	PT-1-24-09T-109	PT-YFW-09T-P	TP-13
-10	-12	PT-1-24-12T-109	PT-YFW-12T-P	TP-28
-10	-19	PT-1-24-19T-109	PT-YFW-19T-P	TP-26
-10	-25	PT-1-24-25T-109	PT-YFW-25T-P	TP-28

F:\DWG\MISC\MKTG\YFW-XX-XX-X-XX-XSB-XX-MKT.SLDDRW

PROPRIETARY NOTE

THIS DOCUMENT CONTAINS INFORMATION CONFIDENTIAL AND PROPRIETARY TO SAMTEC, INC. AND SHALL NOT BE REPRODUCED OR TRANSFERRED TO OTHER DOCUMENTS OR DISCLOSED TO OTHERS OR USED FOR ANY PURPOSE OTHER THAN THAT WHICH IT WAS OBTAINED WITHOUT THE EXPRESSED WRITTEN CONSENT OF SAMTEC, INC.

DO NOT SCALE DRAWING

SHEET SCALE: 1.875:1



520 PARK EAST BLVD, NEW ALBANY, IN 47150
 PHONE: 812-944-6733 FAX: 812-948-5047
 e-Mail: info@SAMTEC.com code: 55322

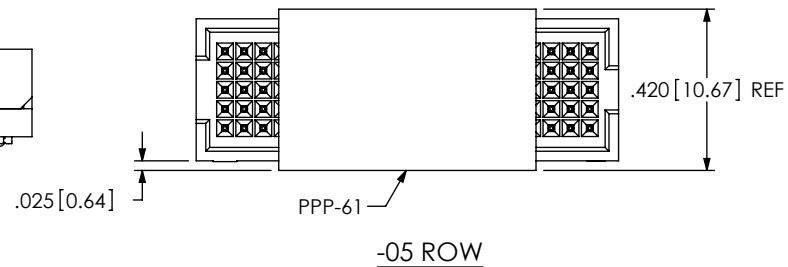
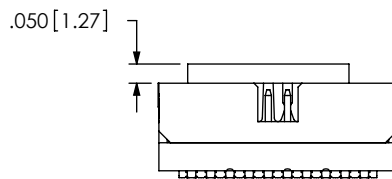
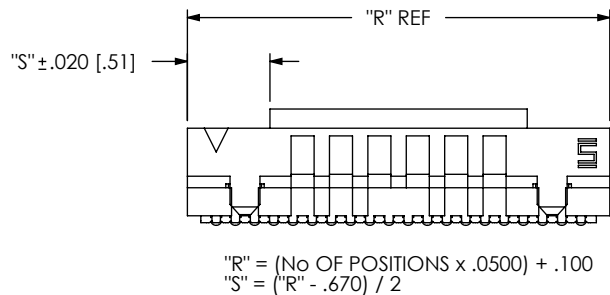
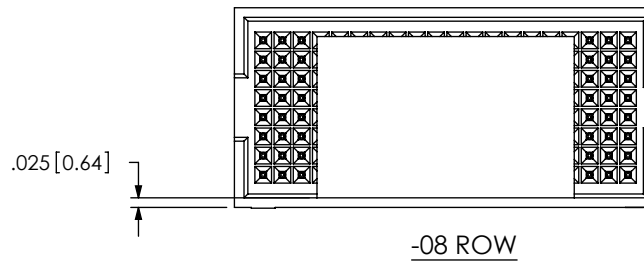
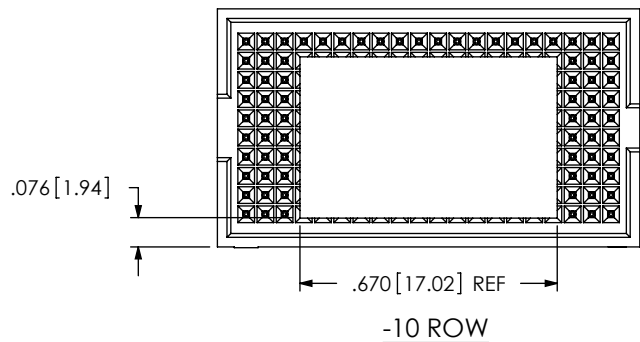
DESCRIPTION:
 Flex, Y, Z, .050 CENTERLINE TERMINAL ASSEMBLY

DWG. NO.
YFW-XX-XX-X-XX-XSB-XX

BY: DEAN P 5/11/2001 SHEET 3 OF 4

FIG 4

-P: PICK AND PLACE OPTION



PROPRIETARY NOTE

THIS DOCUMENT CONTAINS INFORMATION CONFIDENTIAL AND PROPRIETARY TO SAMTEC, INC. AND SHALL NOT BE REPRODUCED OR TRANSFERRED TO OTHER DOCUMENTS OR DISCLOSED TO OTHERS OR USED FOR ANY PURPOSE OTHER THAN THAT WHICH IT WAS OBTAINED WITHOUT THE EXPRESSED WRITTEN CONSENT OF SAMTEC, INC.

DO NOT SCALE DRAWING

SHEET SCALE: 2:1



520 PARK EAST BLVD, NEW ALBANY, IN 47150
 PHONE: 812-944-6733 FAX: 812-948-5047
 e-Mail: info@SAMTEC.com code: 55322

DESCRIPTION:
 FleX, Y, Z, .050 CENTERLINE TERMINAL ASSEMBLY

DWG. NO.
YFW-XX-XX-X-XX-XSB-XX

BY: DEAN P 5/11/2001 SHEET 4 OF 4