

List of "SFW\_\_R-5/6STE5LF" customer document

DOCUMENT NO.	LIST
10105270(SHEET1)	DOCUMENT LIST
10105270(SHEET2)	CAT.NO.TABLE FOR 1mm SPACING SMT CONNECTOR (SFW__R-5/6ST__LF)
10105270(SHEET3)	1mm SPACING SMT CONNECTOR (SFW__R-5ST_LF)
10105270(SHEET4)	1mm SPACING SMT CONNECTOR (SFW__R-6ST_LF)
10105270(SHEET5)	CAT.NO.TABLE FOR PLASTIC TAPE PACKAGED 1mm SPACING SMT CONNECTOR (SFW__R-5/6STE5LF)
10105270(SHEET6)	PLASTIC TAPE PACKAGED 1mm SPACING SMT CONNECTOR (SFW__R-5STE5LF)
10105270(SHEET7)	PLASTIC TAPE PACKAGED 1mm SPACING SMT CONNECTOR (SFW__R-6STE5LF)
10105270(SHEET8)	RECOMMENDED CABLE (CIC) (SFW__R-5/6ST_)
SC-SFW12	PRODUCT SPECIFICATION
GS-20-131	HANDLING PROCEDURES



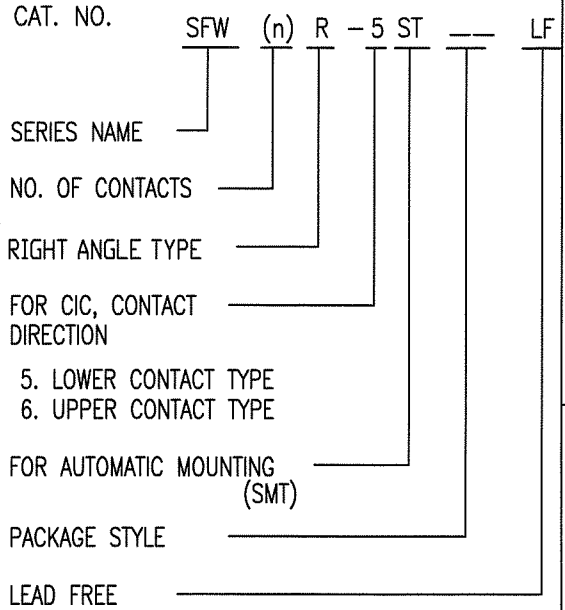
FCIconnect.com

Copyright FCI.

mat'l. code -				surface 58 / ISO 1302				tolerance ISO 406 / ISO 1101				projection				product family 58RF				CODE JP					
ltr				ecn no				dr				date				tolerances unless otherwise specified				title					
A				J09-0299				M.Y				2009-8-7				angles				1mm SPACING SMT CONNECTOR DOCUMENT LIST					
B				J09-0380				M.Y				2009-10-27				linear				(Cat. No. : SFW__R-5/6STE5LF)					
																scale X				dwg no sheet 1 of 8					
																				10105270				size A4	
																				type Product Customer Drawing					
sheet index		revision sheet		B		B		B		B		B		B		B		B		B		B		Rev. B	
		1		2		3		4		5		6		7		8									

CAT. NO. & DIMENSIONS

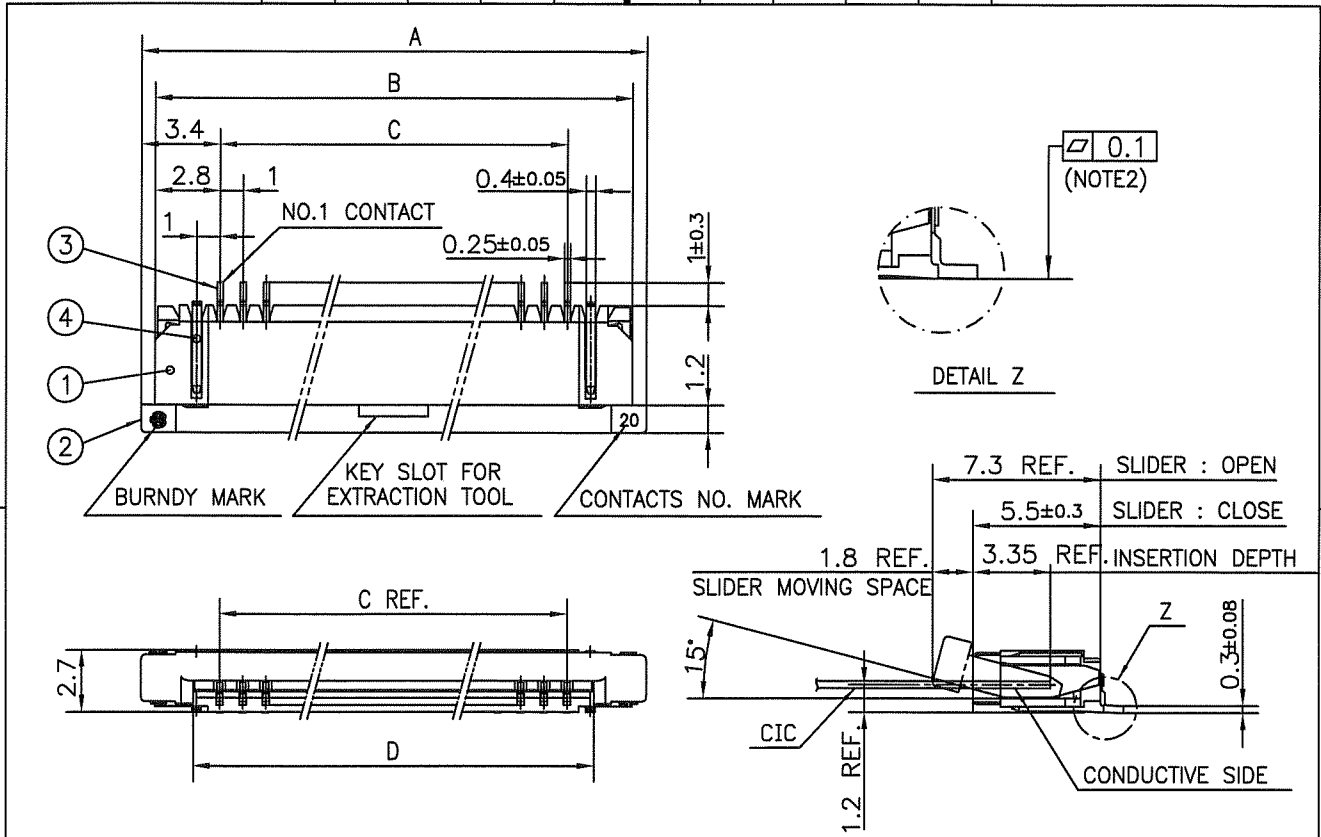
NO. OF CONTACTS (n)	CAT. NO.	DIMENSIONS (NOTE2)			
		A ± 0.2	B ± 0.2	C ± 0.2	D ± 0.1
4	SFW4R-5/6ST__LF	9.8	8.6	3.0	5.3
5	SFW5R-5/6ST__LF	10.8	9.6	4.0	6.3
6	SFW6R-5/6ST__LF	11.8	10.6	5.0	7.3
7	SFW7R-5/6ST__LF	12.8	11.6	6.0	8.3
8	SFW8R-5/6ST__LF	13.8	12.6	7.0	9.3
9	SFW9R-5/6ST__LF	14.8	13.6	8.0	10.3
10	SFW10R-5/6ST__LF	15.8	14.6	9.0	11.3
11	SFW11R-5/6ST__LF	16.8	15.6	10.0	12.3
12	SFW12R-5/6ST__LF	17.8	16.6	11.0	13.3
13	SFW13R-5/6ST__LF	18.8	17.6	12.0	14.3
14	SFW14R-5/6ST__LF	19.8	18.6	13.0	15.3
15	SFW15R-5/6ST__LF	20.8	19.6	14.0	16.3
16	SFW16R-5/6ST__LF	21.8	20.6	15.0	17.3
17	SFW17R-5/6ST__LF	22.8	21.6	16.0	18.3
18	SFW18R-5/6ST__LF	23.8	22.6	17.0	19.3
19	SFW19R-5/6ST__LF	24.8	23.6	18.0	20.3
20	SFW20R-5/6ST__LF	25.8	24.6	19.0	21.3
21	SFW21R-5/6ST__LF	26.8	25.6	20.0	22.3
22	SFW22R-5/6ST__LF	27.8	26.6	21.0	23.3
23	SFW23R-5/6ST__LF	28.8	27.6	22.0	24.3
24	SFW24R-5/6ST__LF	29.8	28.6	23.0	25.3
25	SFW25R-5/6ST__LF	30.8	29.6	24.0	26.3
26	SFW26R-5/6ST__LF	31.8	30.6	25.0	27.3
27	SFW27R-5/6ST__LF	32.8	31.6	26.0	28.3
28	SFW28R-5/6ST__LF	33.8	32.6	27.0	29.3
29	SFW29R-5/6ST__LF	34.8	33.6	28.0	30.3
30	SFW30R-5/6ST__LF	35.8	34.6	29.0	31.3



NOTES

1. THIS PRODUCT IS THE CONNECTOR USED FOR CIC AND COPEs WITH AUTOMATIC MOUNTING (SMT).
2. SEE PART DRAWINGS FOR DIMENSIONS A~D.

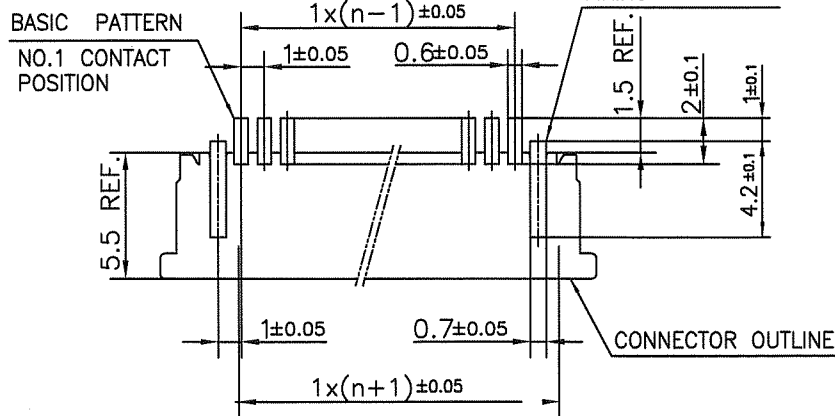
mat'l. code		surface 58 / tolerance ISO 1302 / ISO 406 / ISO 1101		projection	product family 58RF	CODE JP
ltr	ecn no	dr	date	tolerances unless otherwise specified	title CAT. NO. TABLE FOR 1mm SPACING SMT CONNECTOR (CAT.NO. SFW__R-5/6ST__LF)	
B				angles linear	dwg no sheet 2 of 8 size	
				mm	10105270 A4	
				scale X	type Product Customer Drawing	
		dr	2009-10-27		Rev. B	
		enr	2009-10-27			
		chr	2009-10-27			
		appd	2009-10-27			
sheet index	revision sheet					



PT. NO.	PARTS NAME	MATERIAL	Q'TY	NOTE
1	HOUSING	PPS RESIN GLASS REINFORCED (UL94V-0)	1	COLOR:BROWN
2	SLIDER	PPS RESIN GLASS REINFORCED (UL94V-0)	1	COLOR:BEIGE
3	CONTACT	PHOSPHOR BRONZE	n	PLATING:TIN
4	MOUNTING PLATE	PHOSPHOR BRONZE	2	

n : NO. OF CONTACTS

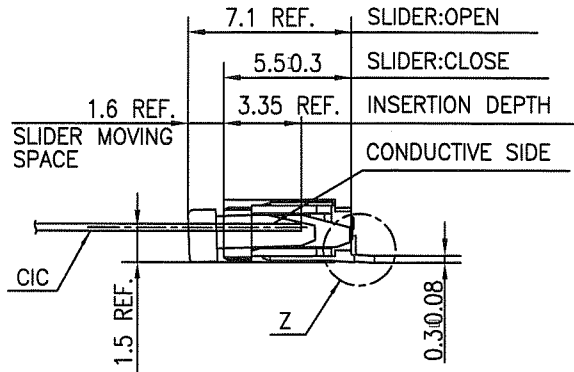
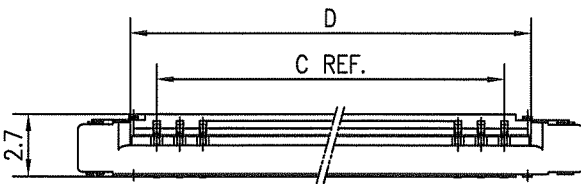
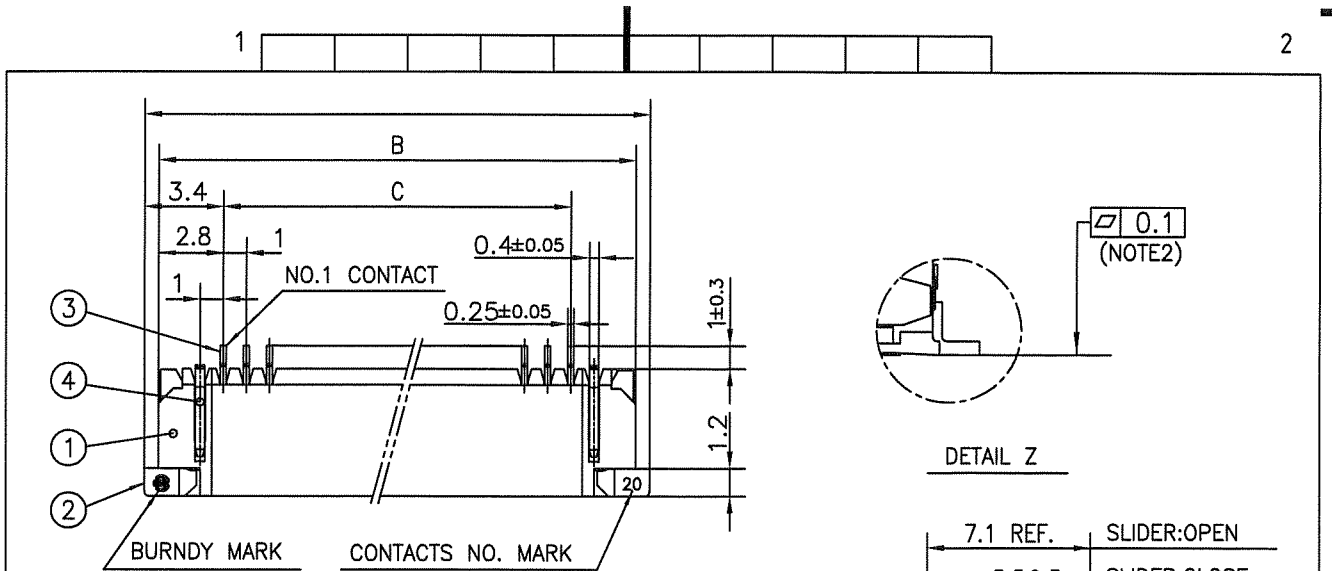
RECOMMENDED PC BOARD LAYOUT  
(COMPONENT SIDE)



NOTES

1. THIS PRODUCT IS THE CONNECTOR USED FOR CIC AND COPES WITH AUTOMATIC MOUNTING (SMT).
2. FLATNESS FOR CONTACT TERMINAL HOUSING MUST BE WITHIN TOLERANCE IN Z PORTION DETAILED DRAWING.
3. THIS PRODUCT IS LOWER CONTACT TYPE CONNECTOR.
4. THIS PRODUCT MEETS EUROPEAN UNION DIRECTIVES AND OTHER COUNTRY REGULATIONS AS DESCRIBED IN GS-22-008
5. THE HOUSING WILL WITHSTAND EXPOSURE TO 260°C PEAK TEMPERATURE FOR 10 SECONDS IN A REFLOW SOLDERING OVEN.

mat'l. code		-		surface 58 / tolerance ISO 1302 ISO 406 ISO 1101		projection		product family 58RF		CODE JP	
ltr		ecn no		dr		date		tolerances unless otherwise specified		title	
B								±0.2		1mm SPACING SMT CONNECTOR (Cat. No. SFW__R-5ST__LF)	
				angles		linear		mm		scale X	
				dr		M. Yamashita 2007-10-27		FCCI		dwg no sheet 3 of 8 size	
				enr		M. Yamashita 2007-10-27				10105270 A4	
				chr		S. Watanabe 2007-10-27				type Product Customer Drawing	
				appd		S. Watanabe 2007-10-27				Rev. B	
sheet index		revision sheet									

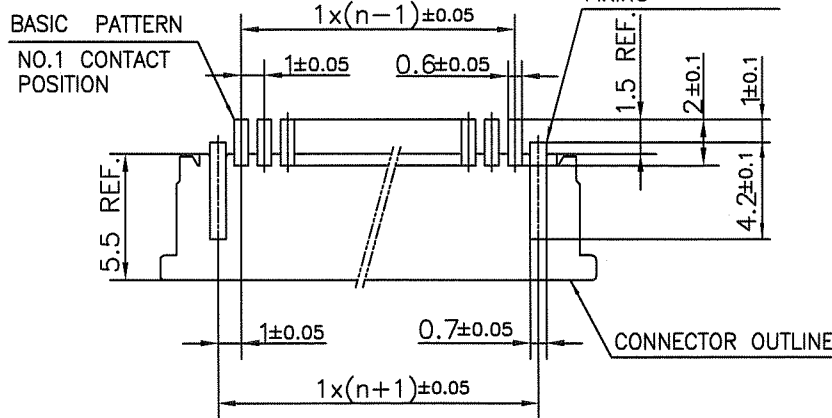


PT. NO.	PARTS NAME	MATERIAL	Q'TY	NOTE
1	HOUSING	PPS RESIN GLASS REINFORCED (UL94V-0)	1	COLOR:BROWN
2	SLIDER		1	COLOR:BEIGE
3	CONTACT	PHOSPHOR BRONZE	n	PLATING:TIN
4	MOUNTING PLATE		2	

n : NO. OF CONTACTS

NOTES

RECOMMENDED PC BOARD LAYOUT (COMPONENT SIDE)



1. THIS PRODUCT IS THE CONNECTOR USED FOR CIC AND COPES WITH AUTOMATIC MOUNTING (SMT).
2. FLATNESS FOR CONTACT TERMINAL HOUSING MUST BE WITHIN TOLERANCE IN Z PORTION DETAILED DRAWING.
3. THIS PRODUCT IS UPPER CONTACT TYPE CONNECTOR.
4. THIS PRODUCT MEETS EUROPEAN UNION DIRECTIVES AND OTHER COUNTRY REGULATIONS AS DISCRIBED IN GS-22-008
5. THE HOUSING WILL WITHSTAND EXPOSURE TO 260°C PEAK TEMPERATURE FOR 10 SECONDS IN A REFLOW SOLDERING OVEN.

mat'l. code		surface 58		tolerance ISO 406		projection		product family 58RF		CODE JP	
ltr		ecn no		dr		date		tolerances unless otherwise specified		title	
B								±0.2		1mm SPACING SMT CONNECTOR (Cat. No. SFW__R-6ST__LF)	
				angles		linear		mm		scale X	
				dr		M. YAMASITA 2009-10-27		FCCI		dwg no sheet 4 of 8 size	
				enr		M. YAMASITA 2009-10-27				10105270 A4	
				chr		S. K. Vithala 2009-10-27					
				appd		S. K. Vithala 2009-10-27					
sheet index		revision sheet								Rev. B	

CAT. NO. & DIMENSIONS

NO. OF CONTACTS (n)	CAT. NO. (NOTE2)	DIMENSIONS (NOTE3)		
		E MAX.	F ± 0.3	G ± 0.1
4	SFW4R-5/6STE5LF	22.4	16	—
5	SFW5R-5/6STE5LF	30.4	24	—
6	SFW6R-5/6STE5LF	30.4	24	—
7	SFW7R-5/6STE5LF	30.4	24	—
8	SFW8R-5/6STE5LF	30.4	24	—
9	SFW9R-5/6STE5LF	30.4	24	—
10	SFW10R-5/6STE5LF	30.4	24	—
11	SFW11R-5/6STE5LF	30.4	24	—
12	SFW12R-5/6STE5LF	30.4	24	—
13	SFW13R-5/6STE5LF	38.4	32	28.4
14	SFW14R-5/6STE5LF	38.4	32	28.4
15	SFW15R-5/6STE5LF	38.4	32	28.4
16	SFW16R-5/6STE5LF	38.4	32	28.4
17	SFW17R-5/6STE5LF	50.4	44	40.4
18	SFW18R-5/6STE5LF	50.4	44	40.4
19	SFW19R-5/6STE5LF	50.4	44	40.4
20	SFW20R-5/6STE5LF	50.4	44	40.4
21	SFW21R-5/6STE5LF	50.4	44	40.4
22	SFW22R-5/6STE5LF	50.4	44	40.4
23	SFW23R-5/6STE5LF	50.4	44	40.4
24	SFW24R-5/6STE5LF	50.4	44	40.4
25	SFW25R-5/6STE5LF	50.4	44	40.4
26	SFW26R-5/6STE5LF	50.4	44	40.4
27	SFW27R-5/6STE5LF	50.4	44	40.4
28	SFW28R-5/6STE5LF	62.4	56	52.4
29	SFW29R-5/6STE5LF	62.4	56	52.4
30	SFW30R-5/6STE5LF	62.4	56	52.4

CAT. NO.

SFW (n) R -5 ST E5 LF

SERIES NAME

NO. OF CONTACTS

RIGHT ANGLE TYPE

FOR CIC, CONTACT DIRECTION

5. LOWER CONTACT TYPE

6. UPPER CONTACT TYPE

FOR AUTOMATIC MOUNTING (SMT)

TAPE PACKAGING FOR E5 (1500pcs PER REEL)

LEAD FREE

NOTES

1. THIS PRODUCT IS THE CONNECTOR USED FOR CIC AND COPEs WITH AUTOMATIC MOUNTING (SMT).
2. THIS CATALOG NO. INDICATES PLASTIC TAPE PACKAGED CONNECTOR.
3. SEE PART DRAWINGS FOR DIMENSIONS E~G.

mat'l. code		surface 58		tolerance		projection		product family		CODE	
-		ISO 1302		ISO 406				58RF		JP	
ltr		ecn no		dr		date		title			
B								CAT NO. TABLE FOR PLASTIC TAPE PACKAGED 1mm SPACING SMT CONNECTOR (Cat. No. SFW__R-5/6STE5LF)			
		angles		linear		mm		scale		X	
		dr		N.YAMAGUCHI		2009-10-27		dwg no		sheet 5 of 8	
		enrg		N.YAMAGUCHI		2009-10-27		10105270		A4	
		chr		S. W. H. L.		2008-10-27		type		Product Customer Drawing	
		appd		S. O. O. O.		2008-10-27					
sheet index		revision sheet								Rev. B	



FCIconnect.com

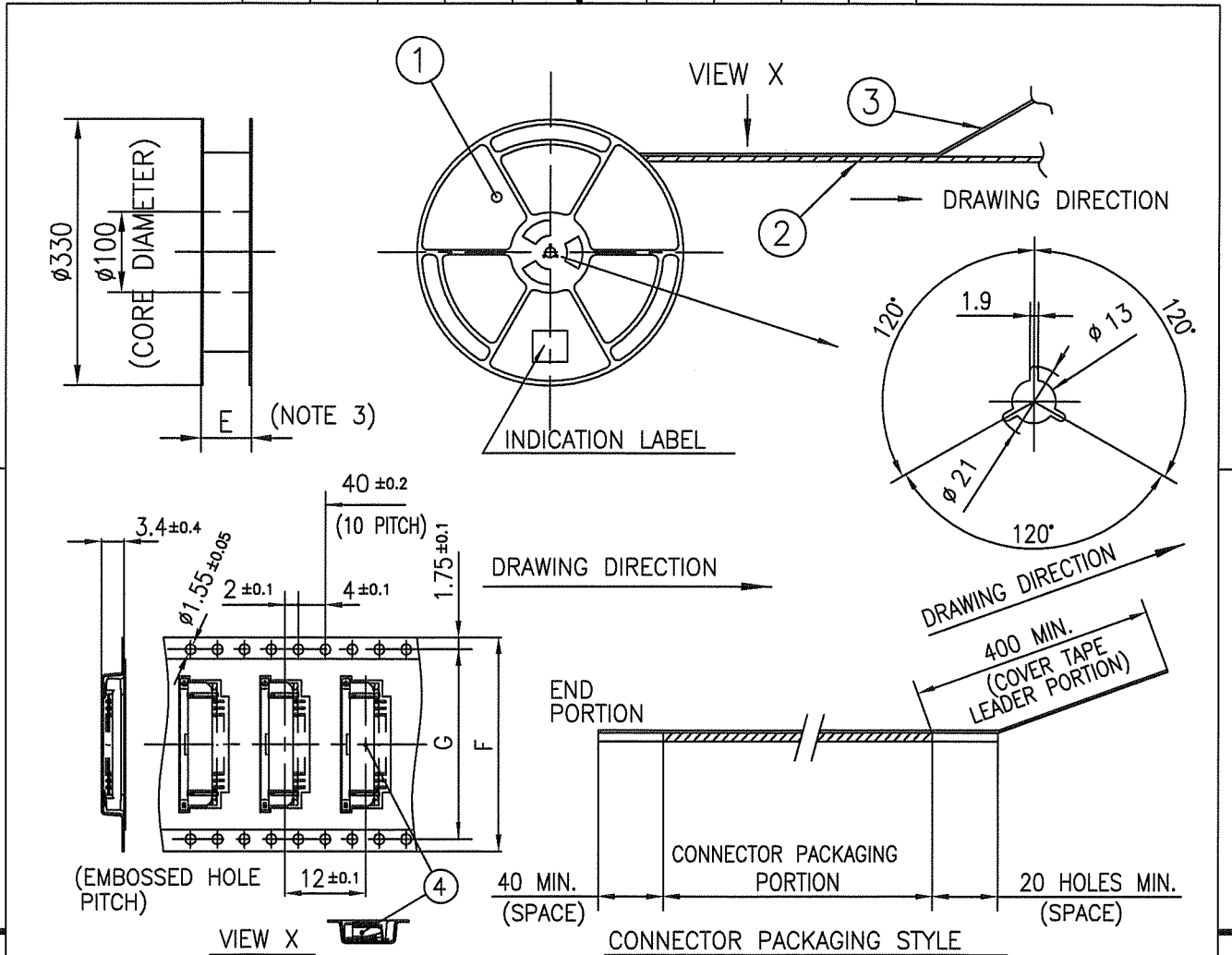
Copyright FCI.



D

D





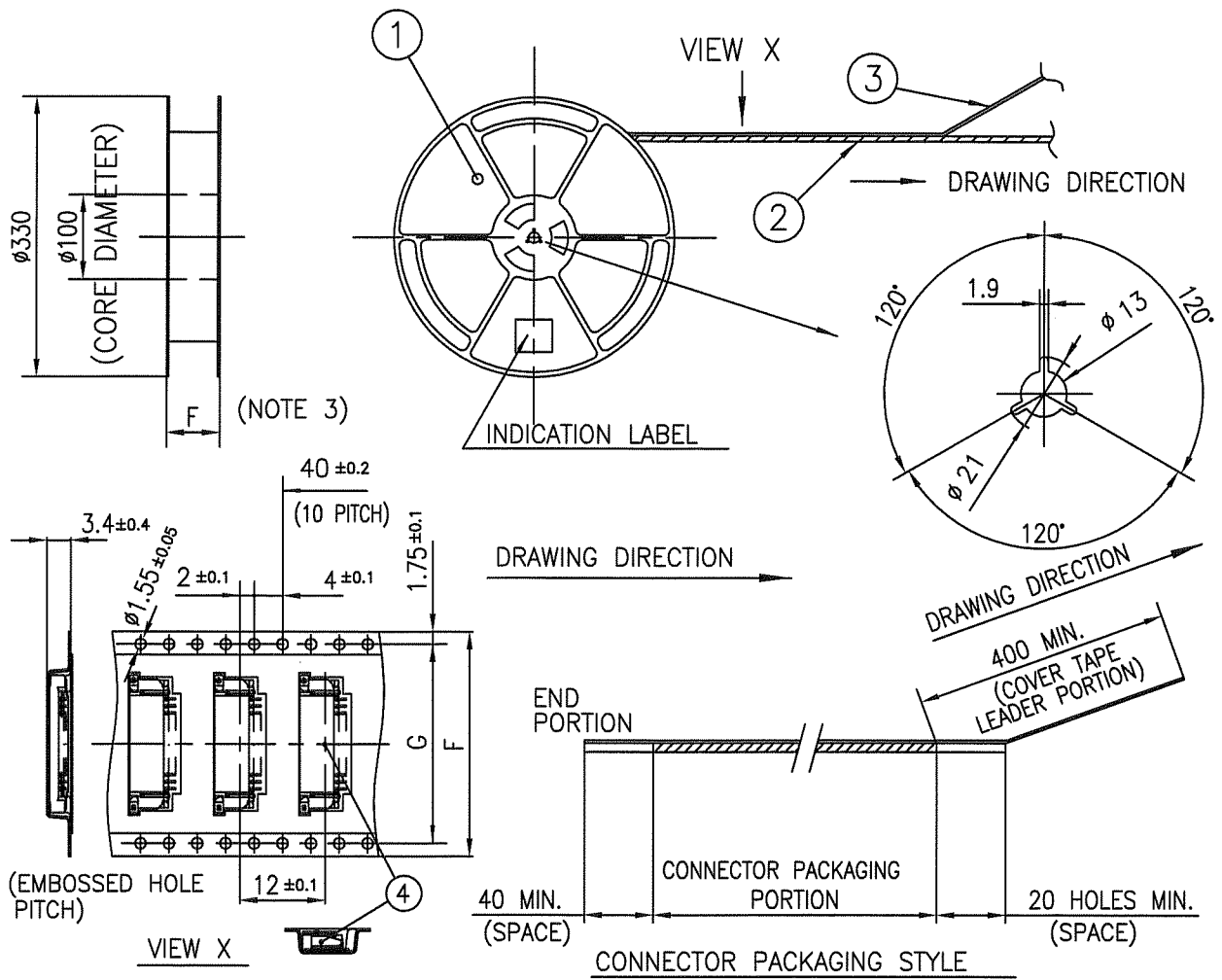
PT. NO.	PARTS NAME	CAT. NO.	MATERIAL	Q'TY	NOTE
1	REEL	_____	POLYSTYRENE	1	COLOR : WHITE or BLACK
2	PLASTIC (EMBOSS) TAPE	_____	PET	_____	COLOR : TRANSPARENCY (CLEAR)
3	COVER	_____	POLYESTER	_____	COLOR : TRANSPARENCY (CLEAR)
4	CONNECTOR	SFW__R-5ST__LF	SEE ATTACHED DWG.	1500	LOWER CONTACT TYPE

NOTES

- THIS IS PLASTIC TAPE PACKAGED CONNECTOR USED FOR CIC AND COPES WITH AUTOMATIC MOUNTING (SMT).
- SEE JIS C 0806 (PACKING OF ELECTRONIC COMPONENTS ON CONTINUOUS TAPES (SURFACE MOUNTING DEVICES)) FOR SHAPE AND DIMENSIONS OF PLASTIC (EMBOSS) TAPE AND REEL.
- E DIMENSION IS PORTION OF THE CORE.

mat'l. code		surface 58 / tolerance ISO 1302 ✓ / ISO 406 / ISO 1101		projection		product family 58RF		CODE JP	
ltr		ecn no		dr		date		tolerances unless otherwise specified	
B								title	
				angles ±5°		linear		PLASTIC TAPE PACKAGED 1mm SPACING SMT CONNECTOR (Cat. No. SFW__R-5STE5LF)	
				±5°		scale X		dwg no	
				dr M.YAMASITA 2009-10-27		engr M.YAMASITA 2009-10-27		sheet 6 of 8	
				chr S. Watanabe 2009-10-27		appd S. Nakamura 2009-10-27		size A4	
sheet index		revision sheet						type Product Customer Drawing	
								Rev. B	

FCJ  
 FCconnect.com  
 Copyright FCJ.



PT. NO.	PARTS NAME	CAT. NO.	MATERIAL	Q'TY	NOTE
1	REEL	_____	POLYSTYRENE	1	COLOR : WHITE or BLACK
2	PLASTIC (EMBOSS) TAPE	_____	PET	_____	COLOR : TRANSPARENCY (CLEAR)
3	COVER	_____	POLYESTER	_____	COLOR : TRANSPARENCY (CLEAR)
4	CONNECTOR	SFW__R-6ST__LF	SEE ATTACHED DWG.	1500	UPPER CONTACT TYPE

NOTES

- THIS IS PLASTIC TAPE PACKAGED CONNECTOR USED FOR CIC AND COPES WITH AUTOMATIC MOUNTING (SMT).
- SEE JIS C 0806 (PACKING OF ELECTRONIC COMPONENTS ON CONTINUOUS TAPES (SURFACE MOUNTING DEVICES)) FOR SHAPE AND DIMENSIONS OF PLASTIC (EMBOSS) TAPE AND REEL.
- E DIMENSION IS PORTION OF THE CORE.

mat'l. code		surface 58 <input checked="" type="checkbox"/> tolerance ISO 1302 <input checked="" type="checkbox"/> ISO 406 <input checked="" type="checkbox"/> ISO 1101		projection		product family 58RF		CODE JP	
ltr	ecn no	dr	date	tolerances unless otherwise specified		title PLASTIC TAPE PACKAGED 1mm SPACING SMT CONNECTOR (Cat. No. SFW__R-6STE5LF)			
B				angles	linear ±5	mm			
				±5°		scale X			
		dr	M. Yamashita 2009-10-27			dwg no 10105270		sheet 7 of 8 size A4	
		enr	M. Yamashita 2009-10-27			FCI			
		chr	S. W. 2009-10-27						
		appd	J. Deplanche 2009-10-27						
sheet index	revision sheet					type Product Customer Drawing			
									Rev. B

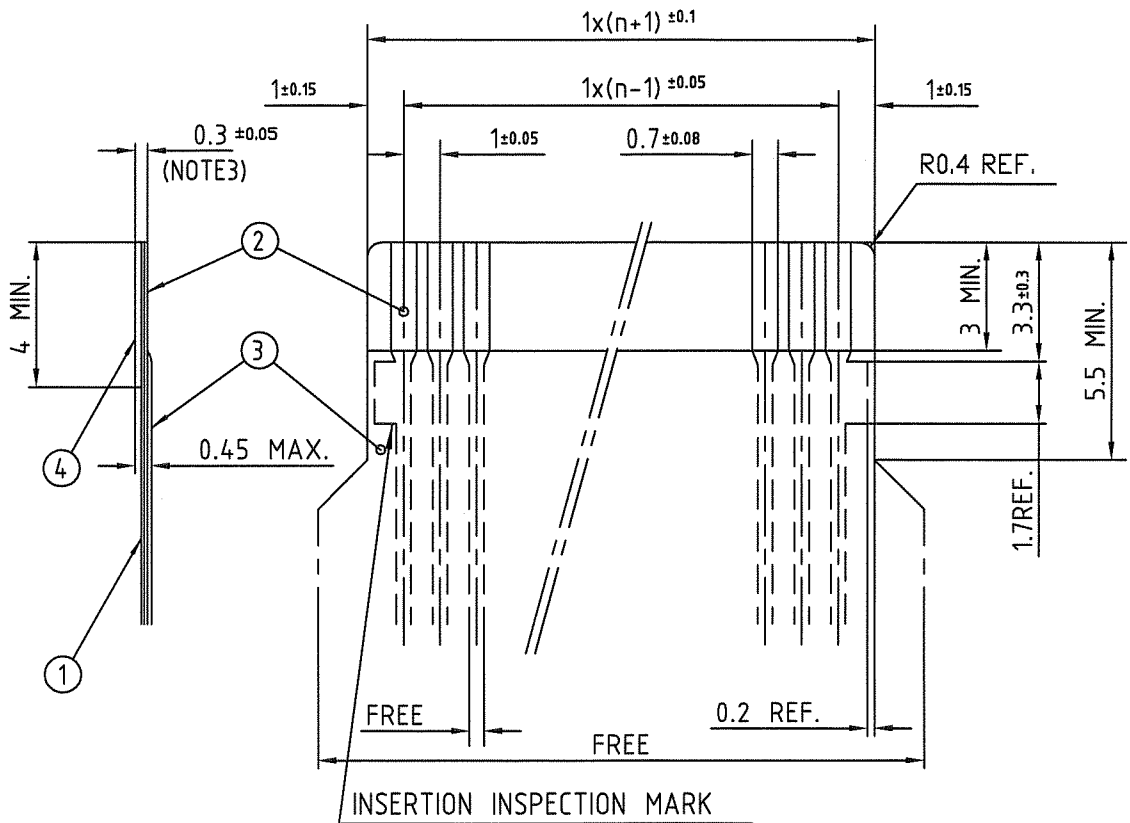


FCIconnect.com

Copyright FCI.

RECOMMENDED CABLE (CIC)

n:NO. OF CONDUCTOR



PT. NO.	PARTS NAME	MATERIAL	THICKNESS (um)	
1	BASE FILM	POLYESTER OR EQUAL	75	25
2	CONDUCTOR	CARBON PASTE OVER SILVER PASTE	10 MIN.	
3	OVERLAY	POLYIMIDE OR POLYESTER OR EQUAL	—	
4	SUPPORTING TAPE	POLYESTER OR POLYIMIDE OR EQUAL	188	250

- NOTES
1. NO BURR AT EACH PORTION.
  2. NO PEELING IN COMMON USE.
  3. TOTAL THICKNESS LIMIT OF EACH MATERIAL (INCLUDING ADHESIVE AGENT) IS SPECIFIED.

mat'l. code		surface 58 ✓ ISO 1302		tolerance ISO 406 ISO 1101		projection mm		product family 58RF		CODE JP	
ltr		ecn no		dr		date		title RECOMMENDED CABLE (CAT.No.SFW__R-5/6ST__)		dwg no	
B								scale X		sheet 8 of 8 size	
				angles		linear		mm		10105270 A4	
				dr		M. YAMAGUCHI 2007-10-27		FCI		type Product Customer Drawing	
				enr		M. YAMAGUCHI 2007-10-27				Rev. B	
				chr		S. Nishida 2008-10-27					
				appd		S. Ando 2008-10-27					
sheet index		revision sheet									