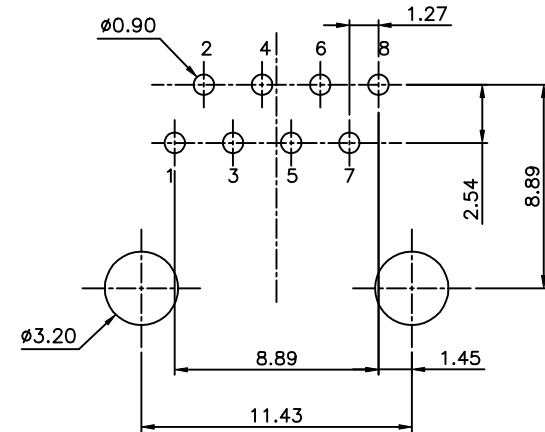
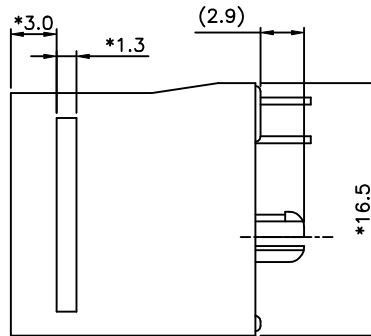
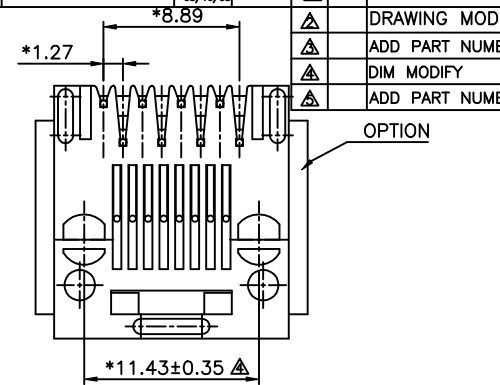
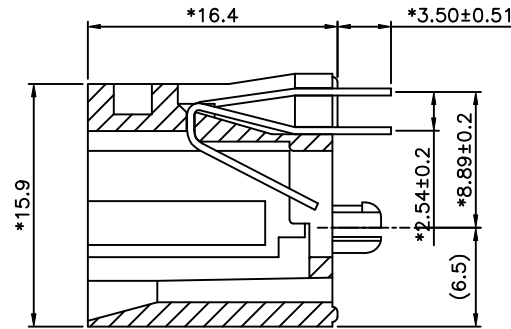
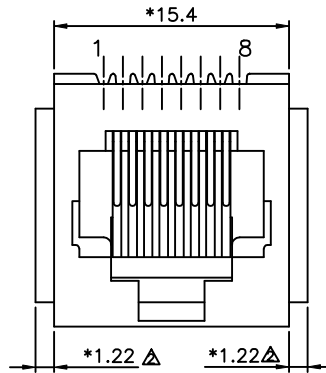


		REVISION RECORD	
REV	ECO	DESCRIPTION	DRFT
△		MODIFY PART NUMBER	SAMMY 07/13/05
△		ADD PART NUMBER	SAMMY 03/05/05
△		ADD PART NUMBER	SAMMY 03/16/05
△		ADD PART NUMBER	BOTON 11/20/00
△		DRAWING MODIFY	LGJ 8/13/02
△		ADD PART NUMBER	LGJ 10/21/02
△		DIM MODIFY	LGJ 11/14/02
△		ADD PART NUMBER	SAMMY 06/31/04



PC Board Layout Component Side Shown

**NOTES:**

**ELECTRICAL:**

- 1. VOLTAGE RATING : 125 VAC RMS.
- 2. CURRENT RATING : 1.5 AMP.
- 3. CONTACT RESISTANCE : 30 MILLIOHMS MAX.
- 4. INSULATION RESISTANCE : 1000 MEGOHMS MIN @ 500 VDC.
- 5. DIELECTRIC STRENGTH : 1000 VAC RMS 60Hz, 1MIN.

**MECHANICAL:**

- 1. HOUSING MATERIAL : GLASS FILLED POLYESTER UL94V-0.
- 2. CONTACT MATERIAL : PHOSPHOR BRONZE Ø0.46mm.
- 3. PLATING : GOLD PLATING OVER NICKEL.
- 4. OPERATING LIFE : 750 CYCLES MIN.
- 5. PCB RETENTION PRE-SOLDER : 1 LB MIN.
- 6. PCB RETENTION POST-SOLDER: 10 LBS MIN.

**ENVIRONMENTAL:**

- 1. STORAGE : -40°C TO +85°C.
- 2. OPERATION: 0°C TO 70°C.

MATES WITH MODULAR PLUG CONFORMING TO FCC PART 68, SUBPART F.

CUL FILE NO. E163191

△△ PART NUMBER: E528X-000XXX

- △ 4-4C(3.4.5.6)
- 8-8C
- 0--PBT+15% BK
- △ 5--PBT+30% GY
- B--FR52 BK
- 1- 3u" 2- 6u"
- 3-15u" 4-30u"
- 5-50u" 6-Pd 20u"
- 3-W/PANEL STOP
- 4-W/O PANEL STOP

DETACHED LISTS	← MM (INCH) →		DFTD BASS	DATE 3/24/98	FULL RISE ELECTRONIC CO., LTD	
	TOLERANCES EXCEPT AS NOTED		CHKDQIANPU	DATE2005/3/17		
	MM	±	MFO	DATE	TITLE TOP ENTRY PCB JACK 8P	
	.0 ±0.20	±	APPVLLUSHENG	DATE2005/3/17		
.00 ±0.15	±	MATERIAL :		DRAWING NO. GE523012		
.000 ±0.075	±	ANGLES ±		/PART NO. SEE NOTE		
THIRD ANGLE PROJECTION		FINISH :		SIZE A3		
		SCALE :		REV 8		
				DO NOT SCALE DRAWING		
				SHEET X OF Y		