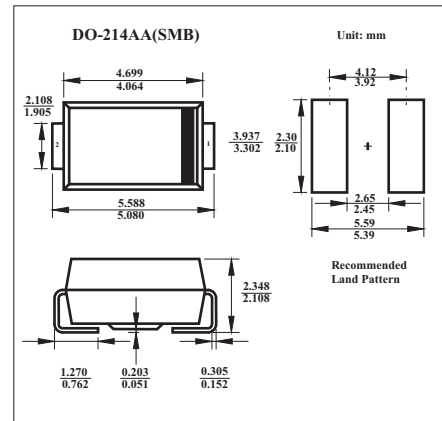


# P6SMBJ8.5A

## ■ Features

- For surface mounted applications in order to optimize board space.
- Low profile package
- Built-in strain relief
- Glass passivated junction
- Excellent clamping capability
- Low inductance



## ■ Absolute Maximum Ratings Ta = 25°C

Parameter	Symbol	Ratings	Units
Peak Power Dissipation at Ta=25°C, TP=1ms (Note 1,2)	PPPM	Minimum 600	W
Peak Forward Surge Current (Note 2,3)	IFSM	100	A
Peak Pulse Current Current on 10/1000µs waveform (Note 1)	IPPM	See Table	A
Operating and Storage Temperature Range	Tj, TSTG	-55 to +150	°C

## ■ Electrical Characteristics Ta = 25°C

Part Number	Reverse Stand-off Voltage	Breakdown Voltage		Test Current	Reverse Leakage	Max. Clamp Voltage	Peak Pulse Current
	VRWM	VBR @ IT		IT	IR @ VRWM	VC @ IPP	IPP
		Min.	Max.				
	V	V	V	mA	µA	V	A
P6SMBJ8.5A	8.5	9.44	10.82	1.0	10	14.4	41.7

NOTES:

- 1.Non-repetitive current pulse, per Fig. 3 and derated above Ta=25°C per
- 2.Mounted on 5.0mm<sup>2</sup> (.013mm thick) land areas.
- 3.Measured on 8.3ms , single half sine-wave or equivalent square wave , duty cycle= 4 pulses per minutes maximum.

## ■ Marking

Marking	KT
---------	----

P6SMBJ8.5A

■ Typical Characteristics

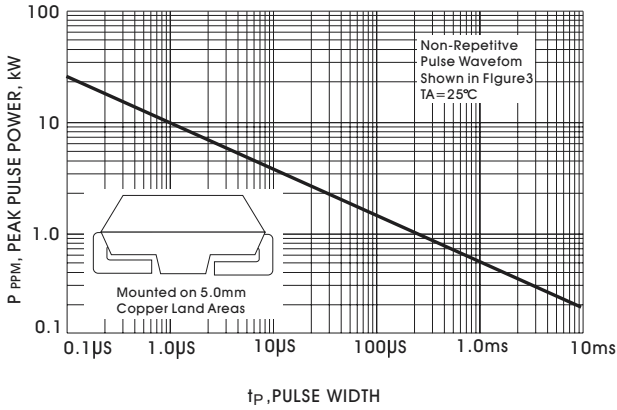


Figure 1, Peak Pulse Power Rating Curve

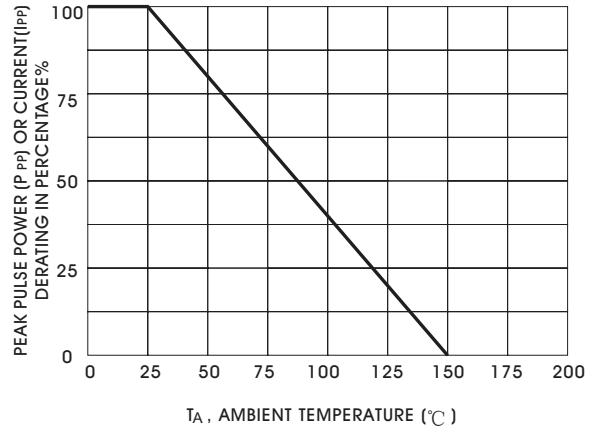


Figure 2, Derating Curve

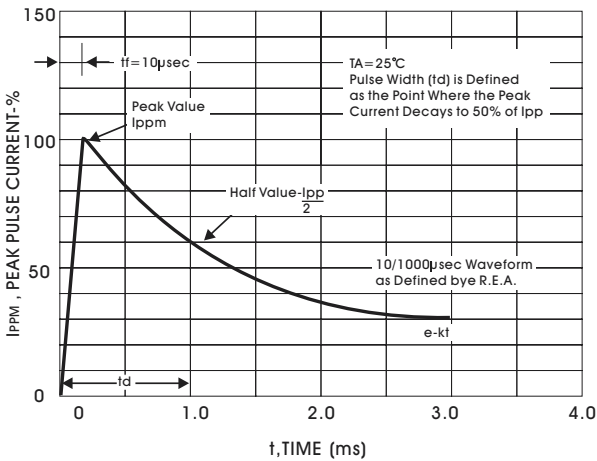


Figure 3, Pulse Waveform

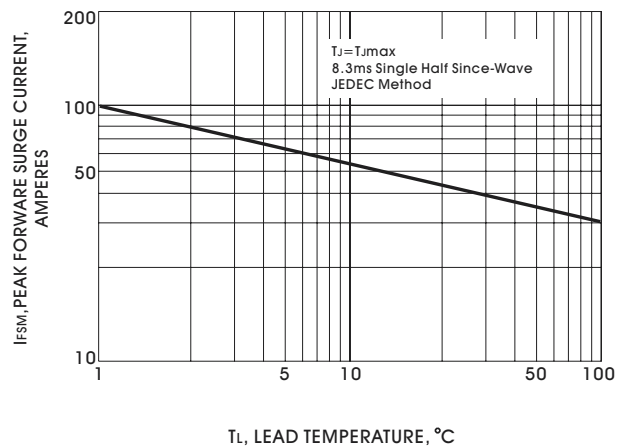


Figure 4, Maximum Non-Repetitive Peak Forward Surge Current

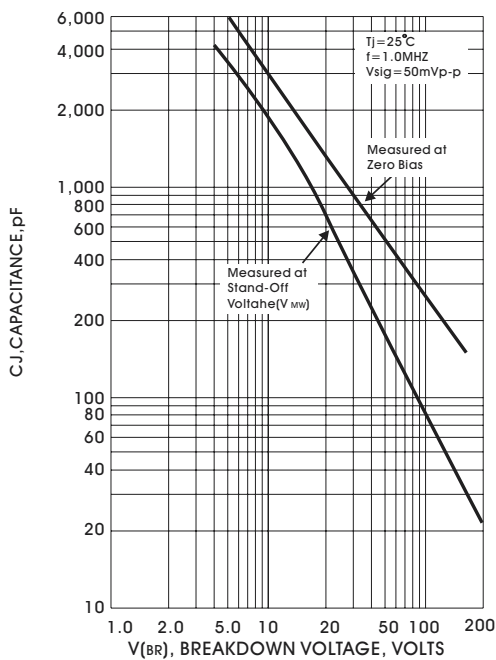


Figure 5, Typical Capacitance