

DESIGNED & DIMENSIONED IN MILLIMETERS (INCHES FOR REFERENCE)

DO NOT SCALE FROM THIS PRINT

LSS-1XX-XX-XX-DV-XX-XX

No OF POSITIONS
-05, -10, 20, -30, -40, -50
(PER ROW)

LEAD STYLE
-01: 3 mm (SEE TABLE 3)
-02: 6 mm (SEE TABLE 3)
-03: 4 mm (SEE TABLE 3)

PLATING SPECIFICATION
-L: LIGHT GOLD (USE C-185-XX-LG)
-F: FLASH GOLD (USE C-185-XX-FG)
-LM: LIGHT GOLD, MATTE TIN TAILS (USE C-185-XX-LM)
-FM: FLASH GOLD, MATTE TIN TAILS (USE C-185-XX-FM)

OPTION
-K: POLYIMIDE FILM (USE K-500-300) (SEE FIG 2, SHT 3)
-TR: TAPE & REEL

OPTION
-A: ALIGNMENT PIN (-01 LEAD STYLE AVAILABLE WITH -A PIN ONLY) **Y**
-LC: LOCKING CLIP (-02 & -03 LEAD STYLES ONLY) (USE LC-08-TM-01) (SEE FIG. 3, SHT 3) (SEE NOTE 6)

ROW SPECIFICATION
-DV: DOUBLE VERTICAL

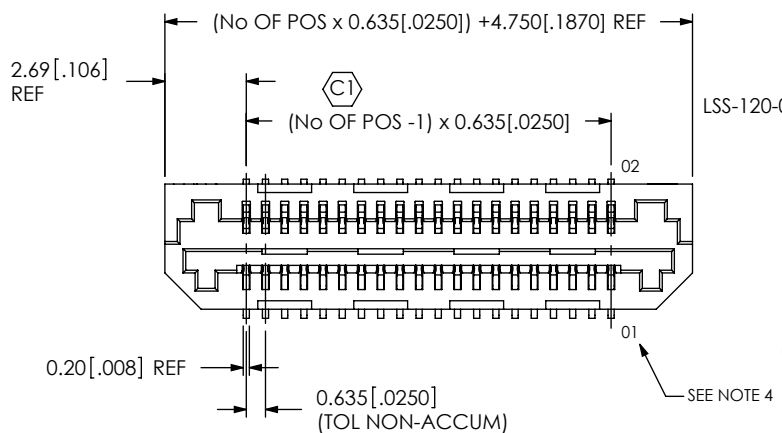


FIG. 1
LSS-120-01-XX-DV-A SHOWN

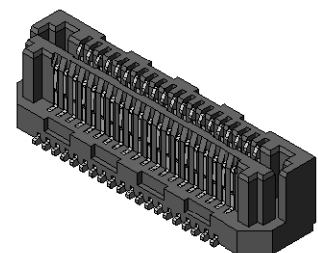
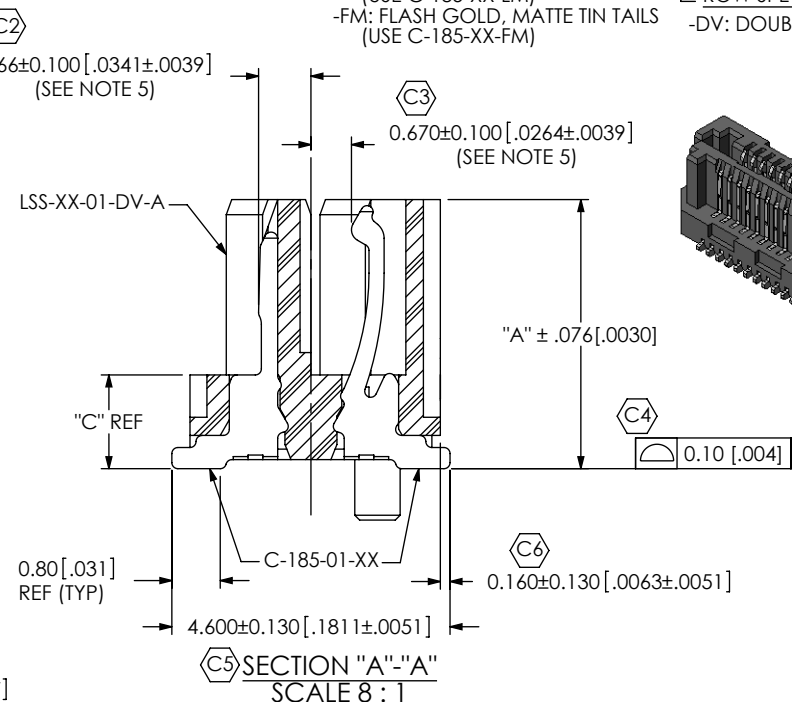
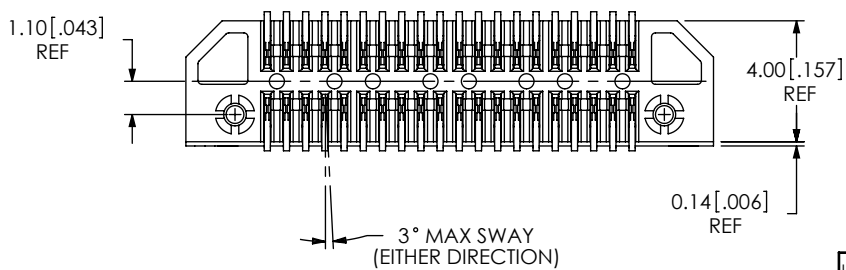
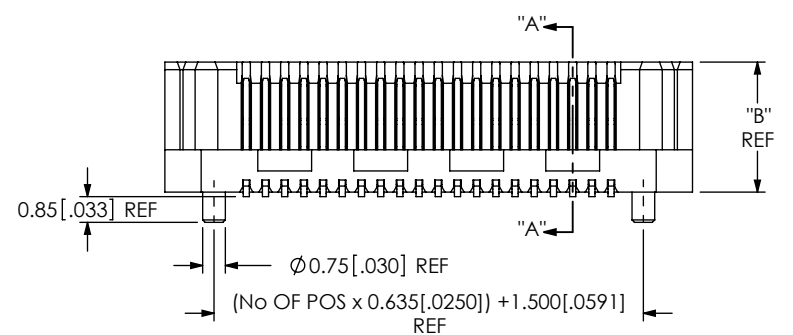


TABLE 1

BODY HT	"A"	"B"	"C"
-01	4.496 [.1770]	4.300 [.1693]	1.596 [.0628]
-02	7.493 [.2950]	7.300 [.2874]	4.593 [.1808]
-03	5.493 [.2163]	5.300 [.2087]	2.593 [.1021]

TABLE 3

LEADSTYLE	BODY	PIN
-01	LSS-XX-01-DV-A	C-185-01-X
-02	LSS-XX-02-DV-A	C-185-02-X
-03	LSS-XX-03-DV-A	C-185-03-X

- NOTES:
- ① REPRESENTS A CRITICAL DIMENSION.
 - BURR ALLOWANCE: .038 [.0015].
 - MINIMUM PUSHOUT FORCE; TERMINALS: .5 LBS, CONTACTS: .5 LB.
 - PIN 01 WILL MATE WITH CONTACT 02 ON MATING CONNECTOR, SEE APPLICATION VIEWS.
 - MEASURE FROM TOP OF VERTICAL WALL.
 - MINIMUM PULL OUT FORCE FOR -LC IS .75 LB.

UNLESS OTHERWISE SPECIFIED, DIMENSIONS ARE IN MILLIMETERS.

TOLERANCES ARE:
DECIMALS ANGLES
.X: ± .3 [.01] 2°
.XX: ± .13 [.005]
.XXX: ± .051 [.0020]

PROPRIETARY NOTE
THIS DOCUMENT CONTAINS INFORMATION CONFIDENTIAL AND PROPRIETARY TO SAMTEC, INC. AND SHALL NOT BE REPRODUCED OR TRANSFERRED TO OTHER DOCUMENTS OR DISCLOSED TO OTHERS OR USED FOR ANY PURPOSE OTHER THAN THAT WHICH IT WAS OBTAINED WITHOUT THE EXPRESSED WRITTEN CONSENT OF SAMTEC, INC.

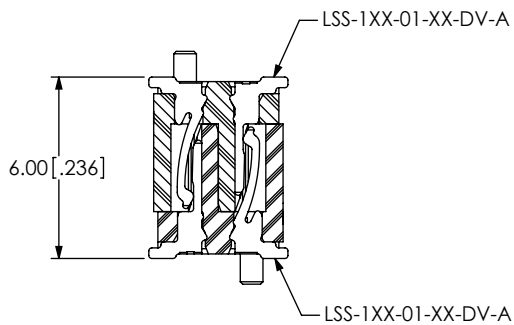


520 PARK EAST BLVD, NEW ALBANY, IN 47150
PHONE: 812-944-6733 FAX: 812-948-5047
e-Mail: info@SAMTEC.com code: 55322

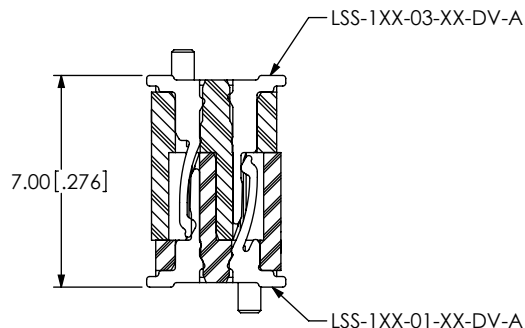
MATERIAL: DO NOT SCALE DRAWING SHEET SCALE: 4:1
INSULATOR: LCP, COLOR: BLACK
CONTACT: PHOS BRONZE

DESCRIPTION: .635mm TERMINAL/SOCKET COMBO
DWG. NO. LSS-1XX-XX-XX-DV-XX-XX

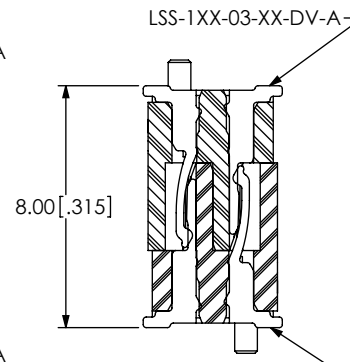
APPLICATION VIEWS



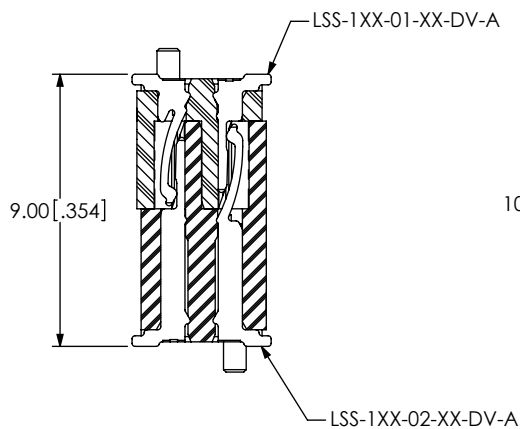
6mm STACK HEIGHT



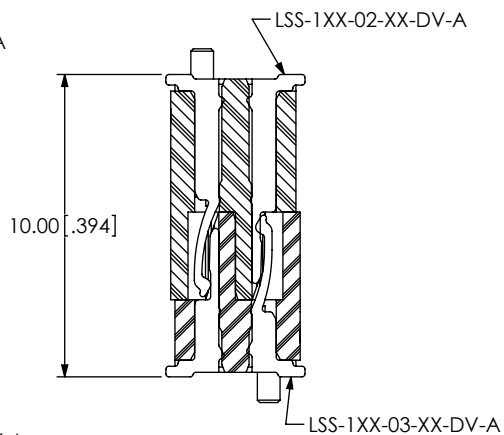
7mm STACK HEIGHT



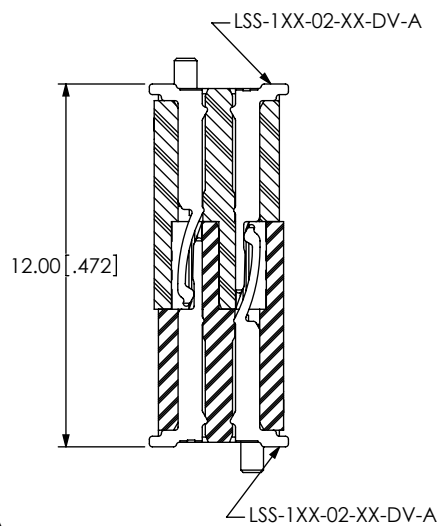
8mm STACK HEIGHT



9mm STACK HEIGHT



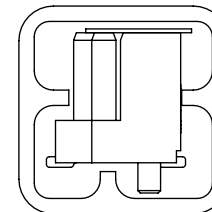
10mm STACK HEIGHT



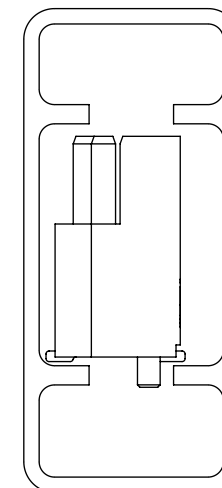
12mm STACK HEIGHT

PACKAGING VIEW

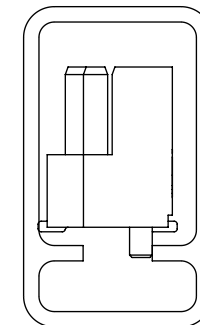
LEAD STYLE	OPTION	PACKAGING TUBE	PLUG
-01	-A	PT-1-24-01-134	TP-24-02
-02	-A, -LC	PT-1-24-05-29	TP-09
-03	-A, -LC	PT-1-24-11-09	TP-09



TUBE: PT-1-24-01-134
PLUG: TP-24-02



TUBE: PT-1-24-05-29
PLUG: TP-09



TUBE: PT-1-24-11-09
PLUG: TP-09

LOAD PARTS WITH PIN #1 IN DIRECTION OF ARROW.

PROPRIETARY NOTE

THIS DOCUMENT CONTAINS INFORMATION CONFIDENTIAL AND PROPRIETARY TO SAMTEC, INC. AND SHALL NOT BE REPRODUCED OR TRANSFERRED TO OTHER DOCUMENTS OR DISCLOSED TO OTHERS OR USED FOR ANY PURPOSE OTHER THAN THAT WHICH IT WAS OBTAINED WITHOUT THE EXPRESSED WRITTEN CONSENT OF SAMTEC, INC.

DO NOT SCALE DRAWING

SHEET SCALE: 4:1

samtec

520 PARK EAST BLVD, NEW ALBANY, IN 47150
PHONE: 812-944-6733 FAX: 812-948-5047
e-Mail: info@SAMTEC.com code: 55322

DESCRIPTION:

.635mm TERMINAL/SOCKET COMBO

DWG. NO.

LSS-1XX-XX-XX-DV-XX-XX

BY: CHAD F

07/01/2002

SHEET 2 OF 3

FIG. 3

-LC: LOCKING CLIP OPTION
 (USE LC-08-TM-01)
 -02 & -03 LEAD STYLES ONLY
 (SEE NOTE 6, SHT. 1)

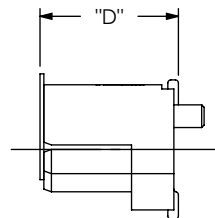
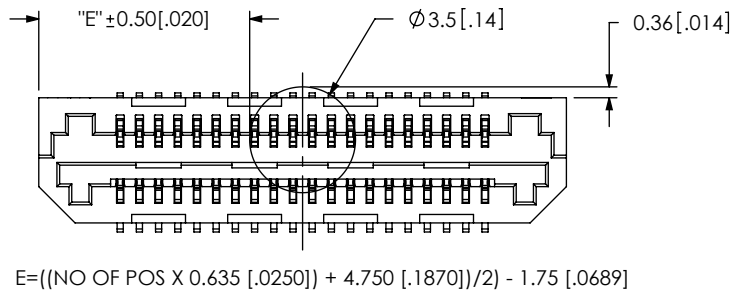
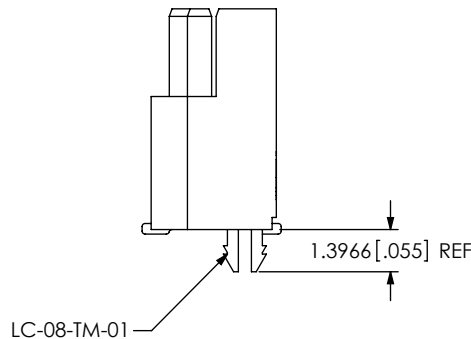
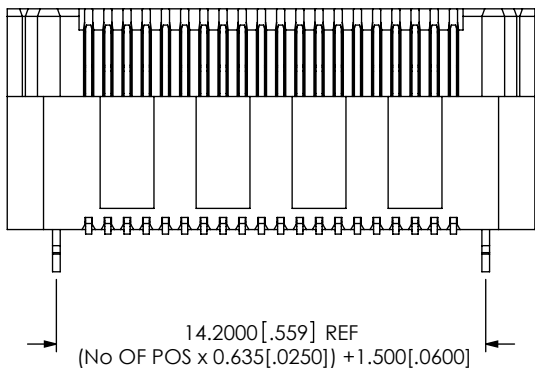


FIG. 2

-K: POLYIMIDE FILM OPTION
 (USE K-500-300)

TABLE 2	
BODY HT	"D"
-01	4.58 [.180]
-02	7.58 [.298]
-03	5.58 [.220]

PROPRIETARY NOTE
 THIS DOCUMENT CONTAINS INFORMATION
 CONFIDENTIAL AND PROPRIETARY TO
 SAMTEC, INC. AND SHALL NOT BE REPRODUCED
 OR TRANSFERRED TO OTHER DOCUMENTS OR
 DISCLOSED TO OTHERS OR USED FOR ANY
 PURPOSE OTHER THAN THAT WHICH IT WAS
 OBTAINED WITHOUT THE EXPRESSED WRITTEN
 CONSENT OF SAMTEC, INC.

DO NOT SCALE DRAWING

SHEET SCALE: 4:1



520 PARK EAST BLVD, NEW ALBANY, IN 47150
 PHONE: 812-944-6733 FAX: 812-948-5047
 e-Mail: info@SAMTEC.com code: 55322

DESCRIPTION:
 .635mm TERMINAL/SOCKET COMBO

DWG. NO.
LSS-1XX-XX-XX-DV-XX-XX

BY: CHAD F 07/01/2002 SHEET 3 OF 3