

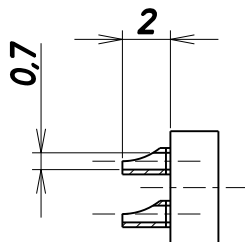
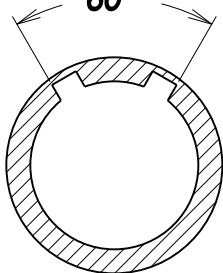
**Insulator**  
Viewed from wiring side



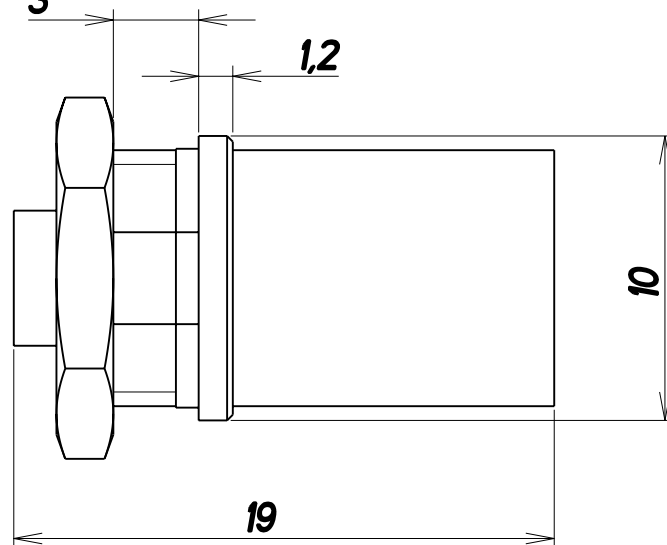
5 sockets x 0.7 mm

Keying

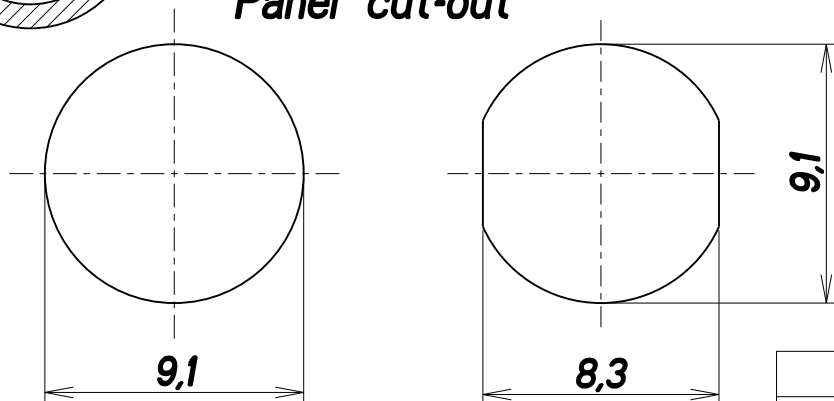
60°



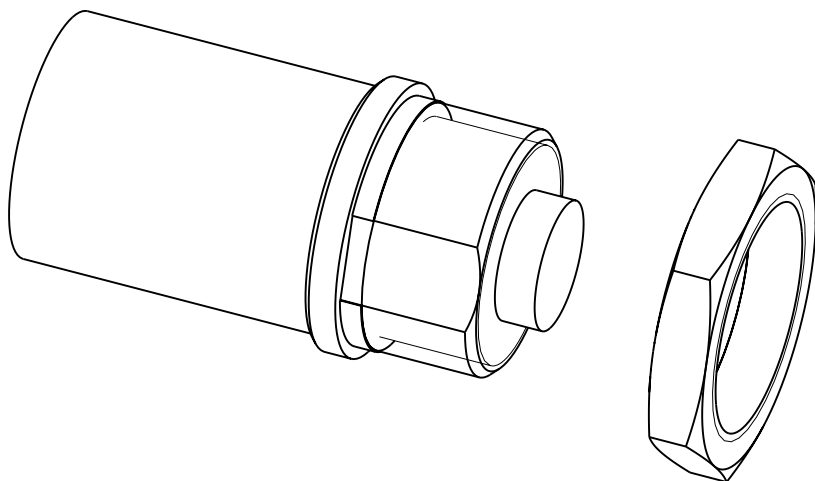
**Dimensions**  
(mm) 3



Panel cut-out



**PROTRUDING RECEPTACLE size 0**



| REV                                | DESCRIPTION | BY<br>DATE      | CHKD<br>DATE    | SHEET<br>No. | ZONE  |
|------------------------------------|-------------|-----------------|-----------------|--------------|-------|
|                                    |             | xxx<br>mm-dd-yy | xxx<br>mm-dd-yy |              |       |
| REVISION                           |             |                 |                 |              |       |
| DRAWING TITLE                      |             |                 |                 |              |       |
| PROTRUDING RECEPTACLE SIZE 0       |             |                 |                 |              |       |
| CAT NO. JBX-ED-0B-05-FS-SDS        |             |                 |                 |              |       |
| DWG RELEASED TO CENTRAL FILE: X    |             |                 |                 |              |       |
| CAGE NO: -- DON: -- PC: -- SIZE: A |             |                 |                 |              |       |
| APPROVAL                           | DRAWN: JAB  |                 | 11-01-00        |              |       |
|                                    | CHKD: RC    |                 | 11-01-00        |              |       |
|                                    | DSGN: --    |                 | --              |              |       |
|                                    | MFG: --     |                 | --              |              |       |
|                                    | QC: --      |                 | --              |              |       |
| DRAWING SCALE: 4/1                 |             |                 |                 |              |       |
| DRAWING NO. JBX-ED-0B-05-FS-SDS    |             |                 |                 |              | REV 0 |
| www.fciconnect.com                 |             |                 |                 |              |       |
| I OF I                             |             |                 |                 |              |       |



**INTERCONNECTIONS**

THIS DRAWING IS A CONTROLLED DOCUMENT FOR FCI INTERCONNECTIONS. IT IS SUBJECT TO CHANGE AND THE CONTROLLING DOCUMENT CONTROL CENTER SHOULD BE CONTACTED FOR THE LATEST REVISION.

THIS INFORMATION IS CONFIDENTIAL AND DISCLOSED TO YOU ON CONDITION THAT NO FURTHER DISCLOSURE IS MADE BY YOU TO OTHER THEN FCI PERSONNEL WITHOUT WRITTEN AUTHORIZATION FROM FCI INTERCONNECTIONS, YORK, PA.