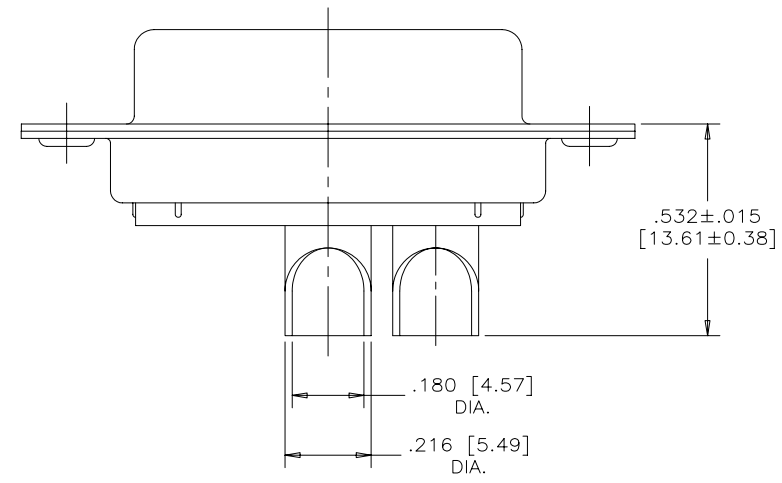
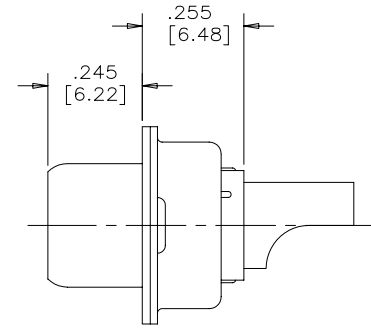
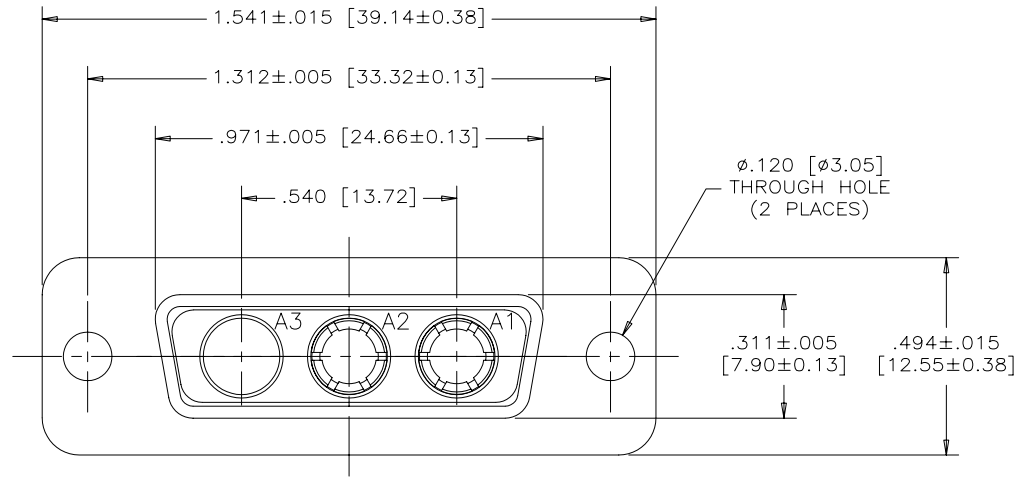


| REVISIONS |                             |          |        |
|-----------|-----------------------------|----------|--------|
| REV       | ECN, ERN NO.                | DATE     | APPRD. |
| A         | PRODUCT DRAWING (EAR 13007) | NOV28/06 | K.L.   |



**MECHANICAL DATA:**

- MATERIALS:** ALL MATERIALS ARE RoHS COMPLIANT.
- SHELLS:** STAMPED STEEL, TIN PLATED.
- INSERT:** HIGH TEMPERATURE RESISTANT THERMOPLASTIC, GLASS REINFORCED. FLAMMABILITY RATING UL94V-0, BLACK.
- CONTACT:** PHOSPHOR BRONZE, 30 MICROINCHES [0.76 MICRONS] GOLD PLATED OVER 50 MICROINCHES [1.27 MICRONS] NICKEL.

**ELECTRICAL DATA:**

|                 |              |
|-----------------|--------------|
| CAPACITANCE     | 5000 pF ±15% |
| WORKING VOLTAGE | 200 VDC      |
| D.W.V.          | 600 VDC      |
| CURRENT RATING  | 40A          |

EACH CONTACT POSITION HAS TWO CAPACITORS, 2500 pF EACH.

AMPHENOL PART NUMBER: FCE17--A3W3SM--2E1  
(5000 pF CAPACITANCE, CONTACT OMITTED FROM POSITION A3)

THIS DOCUMENT CONTAINS PROPRIETARY INFORMATION AND SUCH INFORMATION MAY NOT BE DISCLOSED TO OTHERS FOR ANY PURPOSE OR USED FOR MANUFACTURING PURPOSES WITHOUT WRITTEN PERMISSION FROM AMPHENOL CANADA CORP.

|                   |                   |             |        |                    |   |              |       |
|-------------------|-------------------|-------------|--------|--------------------|---|--------------|-------|
| MATERIAL<br>----- | DRAWN             | J.LEE       | DATE   | NOV28/06           | Amphenol Canada Corp.   |              |       |
|                   | DESIGNED          |             |        |                    |   |              |       |
|                   | CHECKED           | K.LAMBIE    | DATE   | NOV28/06           |   |              |       |
|                   | I. E. APPRD.      |             |        |                    |   |              |       |
| FINISH<br>-----   | Q. A. APPRD.      |             |        |                    | FCE17 FILTERED COMBO D-SUB CONNECTOR, 3W3 ARRANGEMENT, SOCKET, POWER CONTACTS, SOLDER CUP FOR 8AWG WIRE, RoHS COMPLIANT |              |       |
|                   | DWG. APPRD.       |             |        |                    |   |              |       |
|                   | ENG. REL. NO.     |             |        |                    |   |              |       |
|                   | REF.              | EAR 13007   |        |                    |   |              |       |
|                   | DIMENSIONS ARE IN |             | INCHES | [mm]               |   | CODE ID. NO. | 03554 |
|                   | DWG               | DRAWING NO. | C      | P-FCE17-A3W3SM-2E1 |   | REV.         | A     |
| SCALE             | 4/1               | WT.         | -----  | SURF.              | -----   |              |       |
|                   |                   |             |        | SHEET              | 1 of 1  |              |       |