

Resonators for MICRF001



=Murata Part Numbers=

CSA----MG05051 (Leaded type)

CSAC----MGC05051 (S.M.D. type)

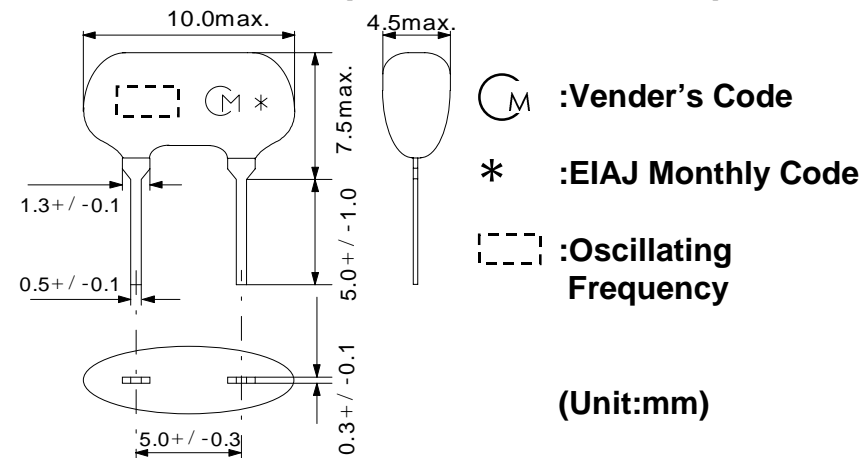
CSAC----MGCM05051 (S.M.D. type)

---:Oscillating frequency(Unit:MHz)

2.32, 2.36, **2.44**, **3.00**, **3.02**, **3.07**

3.10, **3.21**, **3.24**, **3.31**, **3.36**

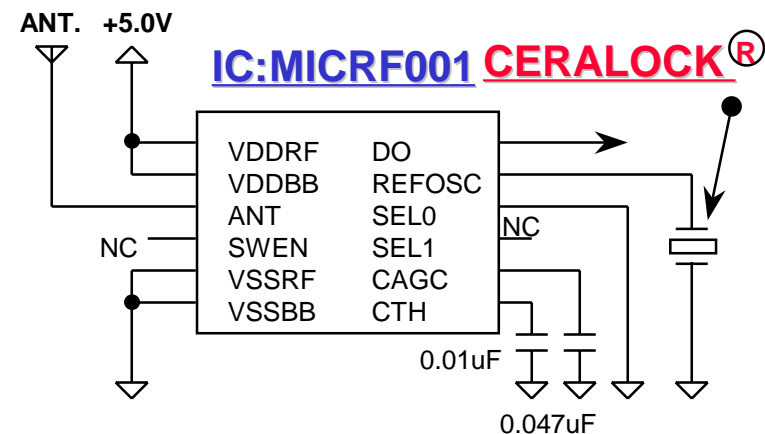
=Dimensions=(3.00 to 3.36MHz)



=Electrical Specifications=

Item	Specification
Initial Oscillation Frequency tolerance	+/-0.5% max.
Resonant Impedance 2.32 to 2.44MHz 3.00 to 3.36MHz	80ohm max. 40ohm max.
Temperature Stability (-20 to 80 degree)	+/-0.3% max. (from initial value)
Aging (at room temperature for 10 years)	+/-0.3% max. (from initial value)

=Typical Operating Circuit=



Resonators for MICRF001



=Murata Part Numbers=

CSA----MG05051 (Leaded type)

CSAC----MGC05051 (S.M.D. type)

CSAC----MGCM05051 (S.M.D. type)

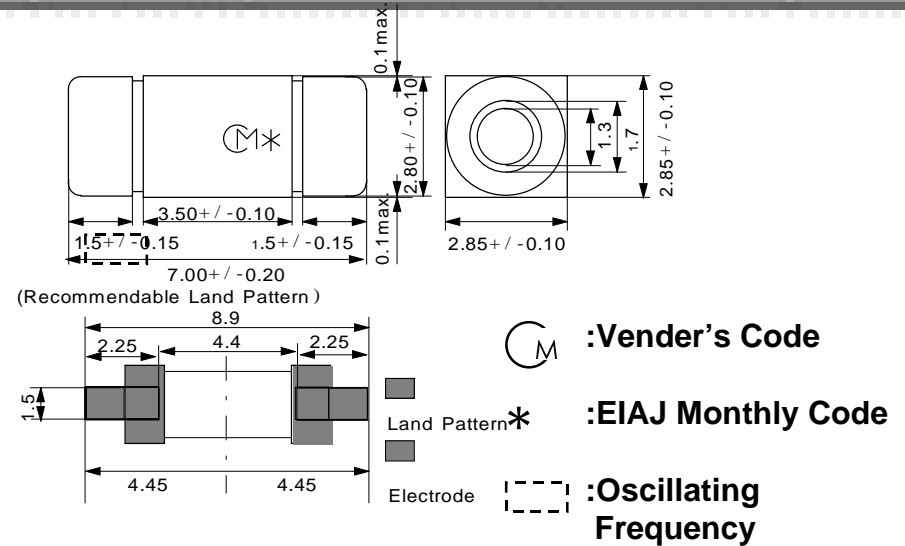
---:Oscillating frequency(Unit:MHz)

2.32, 2.36, **2.44**, **3.00**, **3.02**, **3.07**

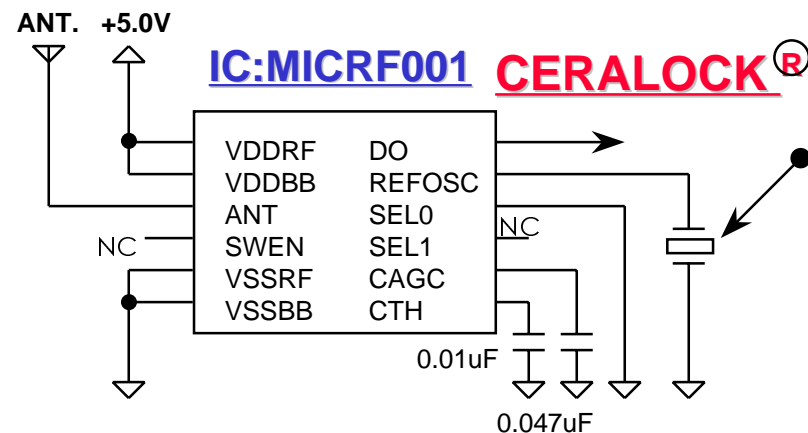
3.10, **3.21**, **3.24**, **3.31**, **3.36**

=Electrical Specifications=

Item	Specification
Initial Oscillation	+/-0.5% max.
Frequency tolerance	
Resonant Impedance	80ohm max.
2.32 to 2.44MHz	40ohm max.
3.00 to 3.36MHz	
Temperature Stability	+/-0.3% max.
(-20 to 80 degree)	(from initial value)
Aging	+/-0.3% max.
(at room temperature for 10 years)	(from initial value)



=Typical Operating Circuit=



Resonators For MICRF001



Transmit Frequency (MHz)	Oscillating Frequency (MHz)	Leaded Part Numbers	Surface Mount Part Numbers
300	2.325	CSA2.32MG05051	CSAC2.32MGC(M)05051-TC
305	2.364	CSA2.36MG05051	CSAC2.36MGC(M)05051-TC
315	2.441	CSA2.44MG05051	CSAC2.44MGC(M)05051-TC
387	3	CSA3.00MG05051	CSAC3.00MGC(M)05051-TC
390	3.023	CSA3.02MG05051	CSAC3.02MGC(M)05051-TC
396.8	3.076	CSA3.07MG05051	CSAC3.07MGC(M)05051-TC
400	3.1	CSA3.10MG05051	CSAC3.10MGC(M)05051-TC
415	3.217	CSA3.21MG05051	CSAC3.21MGC(M)05051-TC
418	3.24	CSA3.24MG05051	CSAC3.24MGC(M)05051-TC
428.02	3.318	CSA3.31MG05051	CSAC3.31MGC(M)05051-TC
433.92	3.363	CSA3.36MG05051	CSAC3.36MGC(M)05051-TC

Resonators for MICRF002/011/022



=Murata Part Numbers=

CSTS• MG03052 (Leaded type)

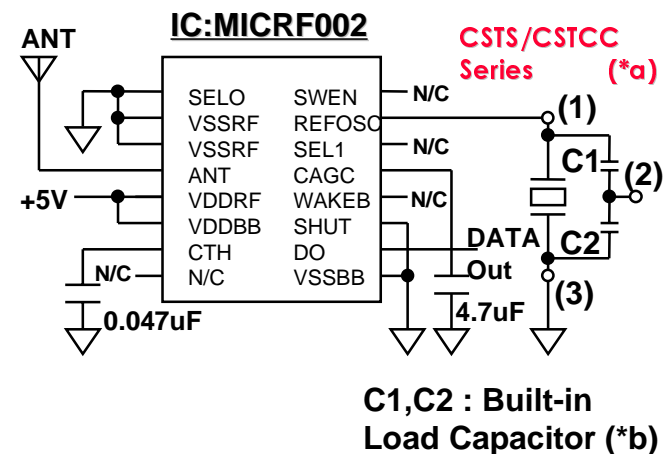
CSTCC• MG03052 (S.M.D. type)

Oscillating frequency (Unit : MHz)
 4.66, 4.74, 4.90, 6.02, 6.07, 6.17
 6.22, 6.45, 6.50, 6.66, 6.75

=Electrical Specifications =

Item	Specification	
	CSTS	CSTCC
Series	CSTS	CSTCC
Oscillation Frequency Range (Unit:MHz)	4.669 to 6.754	4.669 to 6.754
Initial Oscillation Frequency tolerance	+/-0.5% max.	+/-0.5% max.
Resonant Impedance	20ohm max.	20ohm max.
Built-in Loading Capacitor: CL1=CL2	15pF+/-20%(Ref.)	15pF+/-20%(Ref.)
Temperature Stability (-20 to +80 degree C)	+/-0.2% max. (from initial value)	+/-0.2% max. (from initial value)
Aging (at room temperature for 10 years)	+/-0.2% max. (from initial value)	+/-0.2% max. (from initial value)

= Typical Operating Circuit =



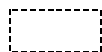
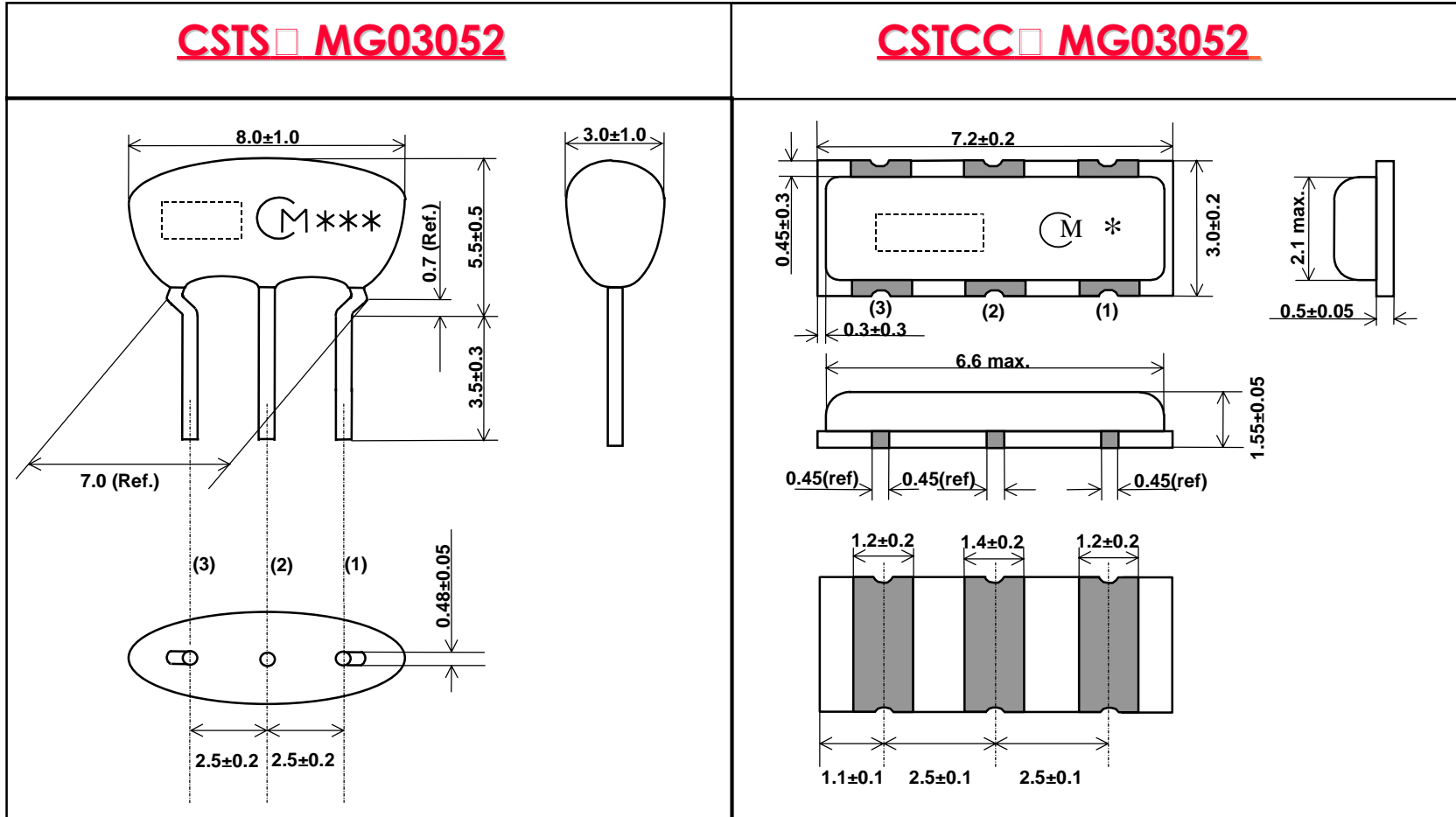
Notes

- (*a) The center terminal (2) for CSTS and CSTCC Series must be kept **Not Connected**.
- (*b) The terminal (1) and (3) are interchangeable.

Resonators for MICRF002/011/022



=Dimensions=



:The Oscillation Frequency



:Vender's Code



:EIAJ Monthly Code

(Unit:mm)

Resonators for MICRF002/011/022



Transmit Frequency (MHz)	Oscillating Frequency (MHz)	Leaded Part Numbers	Surface Mount Part Numbers
300	4.669	CSTS4.66MG03052	CSTCC4.66MG03052-TC
305	4.747	CSTS4.74MG03052	CSTCC4.74MG03052-TC
315	4.903	CSTS4.90MG03052	CSTCC4.90MG03052-TC
387	6.023	CSTS6.02MG03052	CSTCC6.02MG03052-TC
390	6.07	CSTS6.07MG03052	CSTCC6.07MG03052-TC
396.8	6.176	CSTS6.17MG03052	CSTCC6.17MG03052-TC
400	6.226	CSTS6.22MG03052	CSTCC6.22MG03052-TC
415	6.459	CSTS0645MG03052	CSTCC6.45MG03052-TC
418	6.506	CSTS0650MG03052	CSTCC6.50MG03052-TC
428.02	6.662	CSTS0666MG03052	CSTCC6.66MG03052-TC
433.92	6.754	CSTS0675MG03052	CSTCC6.75MG03052-TC