

WIDE BAND, RF AND BALUN TRANSFORMERS



ABT-4-XXX

FEATURES:

- Mini Ceramic Base
- High Reliability
- Extended Temperature
- RoHS Compliance

OPTIONS:

- Tape and Reel is standard
- Custom design available

APPLICATIONS:

- RF, Set Top Box, Cable Modem
- Cable TV, Wide Band RF Applicants
- Balance to Unbalance application
- RF signal monitor point

STANDARD SPECIFICATIONS:

Part No ABT-4-	Turns	Operating Frequency MHz	Insertion Loss dB Max	Figure
Double Balanced Mixer (200Ω:50Ω)				
2A	2½	25-2000	3	A
3A	3½	6-1800	3	A
4A	4½	3-1600	3	A
5A	5½	2-1700	3	A
Frequency Mixer (200Ω:50Ω)				
2B	2:2:2	40-500	3	B
3B	3:3:3	4.5-600	3	B
4B	4:4:4	3-400	3	B
5B	5:5:5	1.5-280 (1 & 6 in phase)	3	B
Balun Transformer (50Ω:50Ω)				
2C	2½	10-2700	3	C
3C	3½	3-2400	3	C
4C	4½	2-2000	3	C
5C	5½	1.3-1800	3	C
Power Distributor/Combiners (50Ω:100Ω)				
2E	1-2:2-3:4-5:5-6 1:3:2:2	6-1800	in-out1,2=5dB out1-out2=13dB	E
3E	1:4:3:3	5-1900	in-out1,2=5dB out1-out2=13dB	E
4E	1:3:2:2	2-1000	in-out1,2=5dB out1-out2=12dB	E
5E	1:4:2:2	2-400	in-out1,2=4dB out1-out2=15dB	E
Directional Coupler (50Ω:100Ω)				
2F	2½	50-1500	in-out1, 2dB in-out2, 10dB	F
3F	3½	10-2000	in-out1, 2dB in-out2, 12dB	F
4F	4½	8-1200	in-out1, 1.5dB in-ou2t, 14dB	F
5F	5½	5-1000	in-out1, 1.2dB in-out2, 15dB	F

OUTLINE DRAWING:

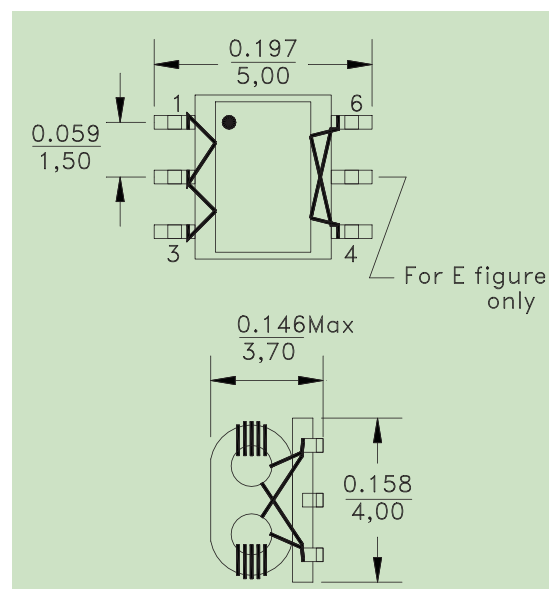
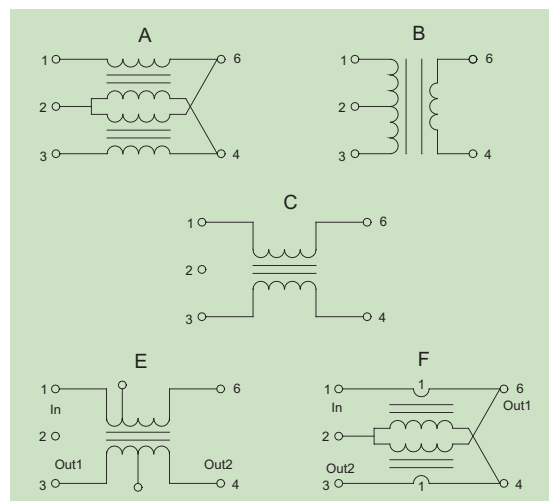


FIGURE (WIRE CONNECTION):



Dimensions: inch/mm

TECHNICAL INFORMATION:

- Ordering Code: ABT-XX(Size)-XX(P/N)
- Add-T for tape and reel
- Insulation Resistance: 10MΩ minimum
- See SCD or detail E&M performance
- Operating Temperature: -40°C to +85°C

All specifications subject to change without notice.