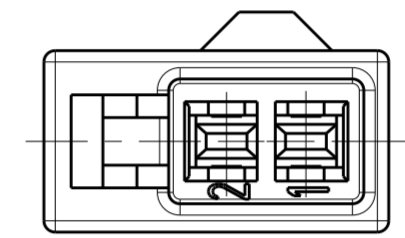
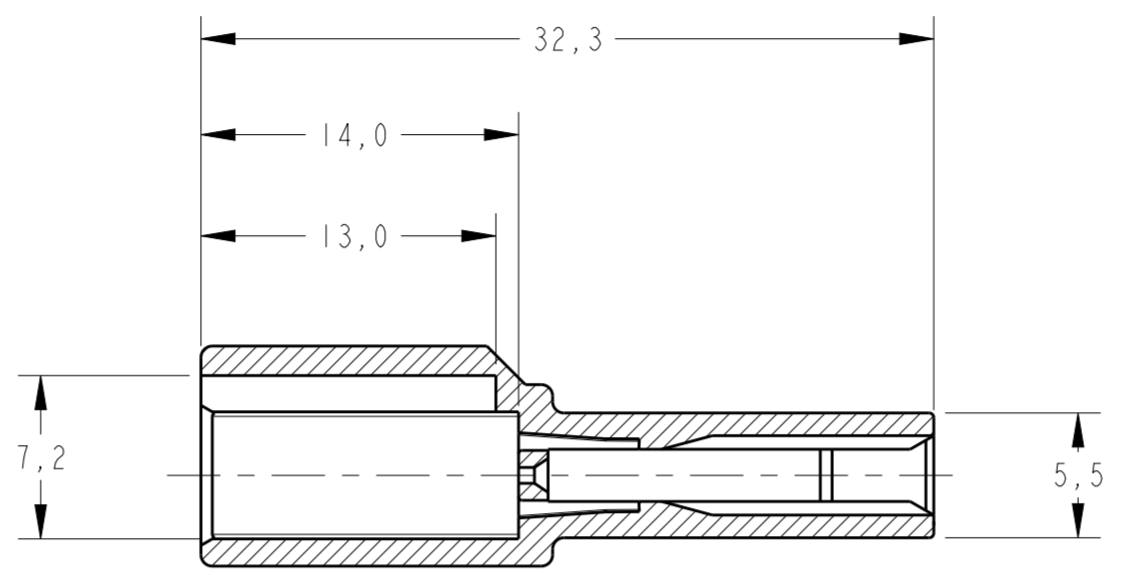
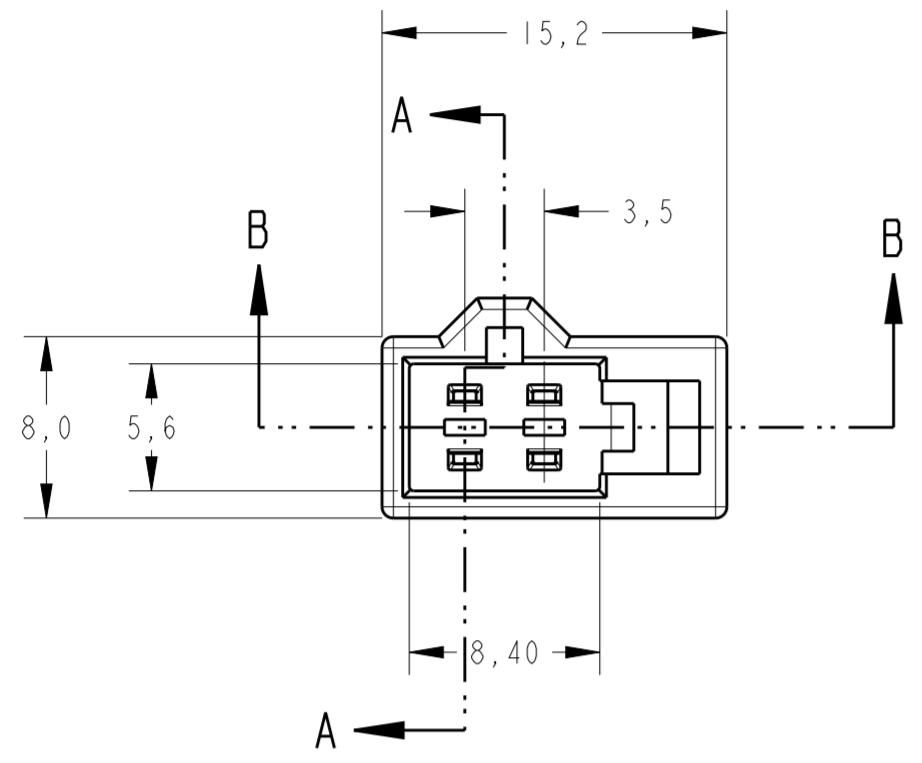
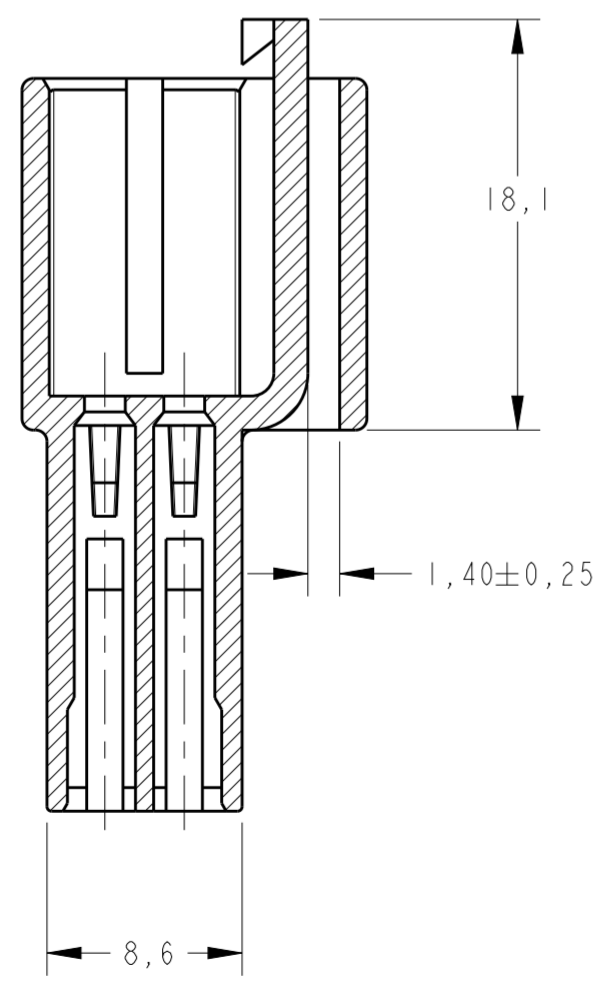


THIS DRAWING IS UNPUBLISHED. RELEASED FOR PUBLICATION
 © COPYRIGHT - ALL RIGHTS RESERVED.

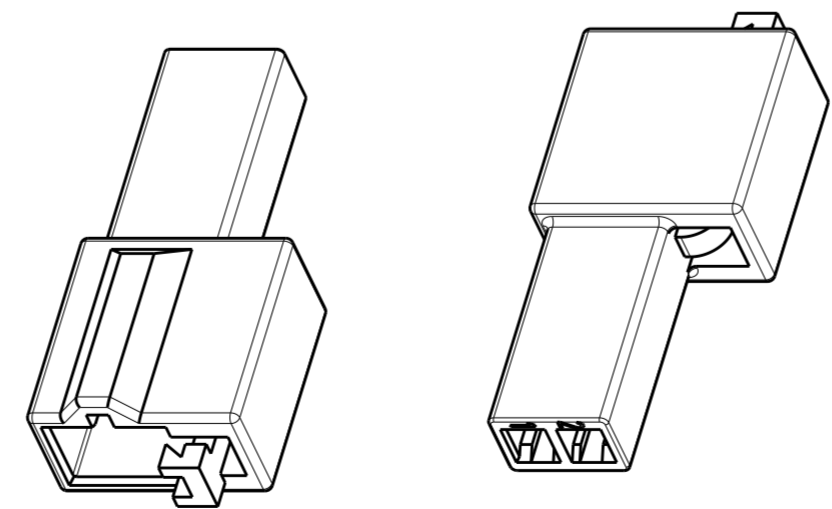
LOC		DIST		REVISIONS			
P	LTR	DESCRIPTION	DATE	DWN	APVD		
AP	-						
O		ERA 9729076-001	26JUN97	PLF	JRG		
A		REVISED BY ECO-12-009549	21MAR2012	PP	GOJ		
B		REVISED DESIGN ECO-13-004501	04APR2013	NCL	DAO		
C		REVISED DESIGN ECO-13-013498	26AUG2013	NCL	DAO		



SECTION A-A



SECTION B-B



PERSPECTIVE VIEWS
SCALE 2:1

GRAVAÇÃO MARKING
LOGOTIPO AMP AMP LOGO
CÓDIGO PAÍS PRODUTOR MANUFACTURER COUNTRY CODE
NOMENCLATURA MATERIAL MATERIAL NOMENCLATURE
NÚMERO COMPONENTE TE TE COMPONENT NUMBER
NÚMERO CAVIDADE CAVITY NUMBER
IDENTIFICAÇÃO CIRCUITO CIRCUIT IDENTIFICATION
LOGOTIPO VW VW LOGO
NÚMERO PEÇA CLIENTE CUSTOMER PART NUMBER

PRETO BLACK	PA 6.6	493224-1
FINISH	MATERIAL	PART NUMBER

THIS DRAWING IS A CONTROLLED DOCUMENT.	
DIMENSIONS: mm	TOLERANCES UNLESS OTHERWISE SPECIFIED:
0 PLC ±	1 PLC ±0,3
2 PLC ±0,2	3 PLC ±
4 PLC ±	ANGLES ±1°
MATERIAL SEE TABLE	FINISH SEE TABLE

DWN M.R. BRIZ 21MAR1997	TE Connectivity HOUSING, 2 POSN., MICRO TIMER TAB. HOUSING, 2 POSN., MICRO TIMER TAB.			
CHK J.R. GOLDSCHMIDT 26JUN1997				
APVD A VICENZA 20AUG1997				
PRODUCT SPEC				
APPLICATION SPEC	SIZE A2	CAGE CODE 00779	DRAWING NO. C-493224	RESTRICTED TO
WEIGHT	Customer Drawing	SCALE 3:1	SHEET 1 OF 1	REV C