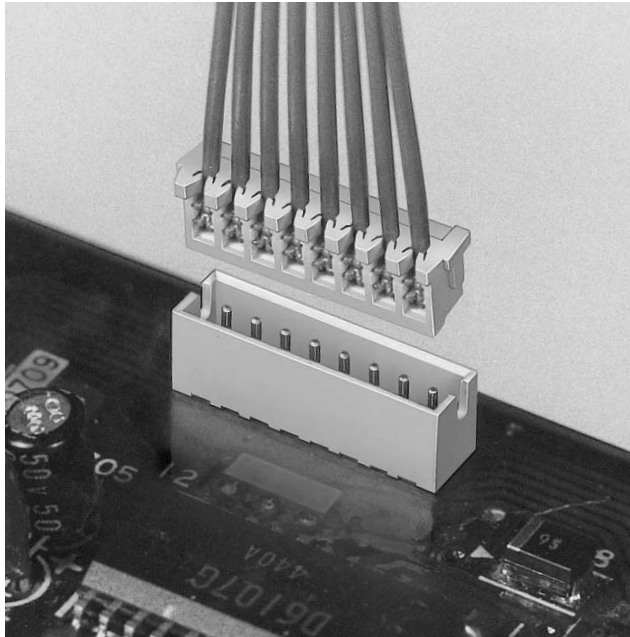


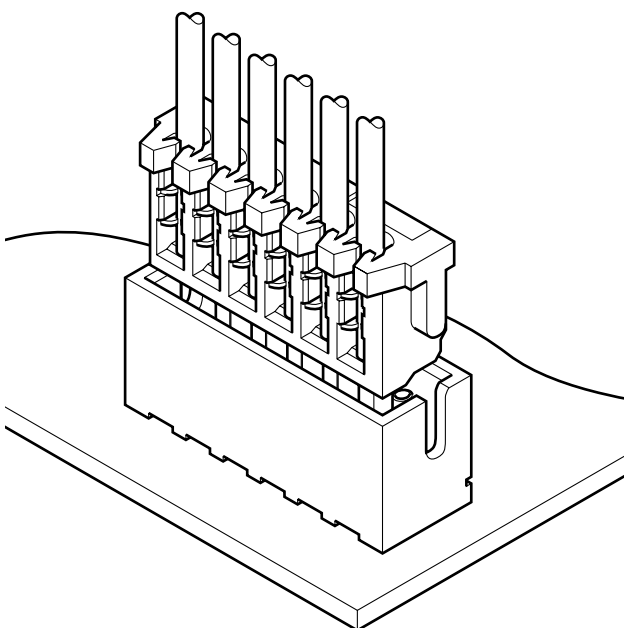
ZR CONNECTOR



Disconnectable Insulation displacement connectors



The twin U-slots (IDC slots), the 3-point insulation grip, and the distortion resistant disconnectable construction ensure a reliable connection even during severe environmental conditions.



Features

• Compact

Only 5.5mm (.217") high and 3.5mm (.138") thick.

• Twin U-slot insulation displacement section

The insulation displacement section connected to each wire consists of two tin-plated slots (twin U-slots), which ensures reliable connection.

• 3-point grip construction

The 3-point insulation grip feature and the strain relief ensure a firm grip on terminated wires and protection of the insulation displacement connection from possible damage.

• Distortion resistant construction

The header is fully shrouded and thus protects the receptacle from damage that could be caused by mating the connectors at an angle or otherwise mismatching the connectors.

• Compatible with the ZH crimp style connector

The same shrouded header can be used for either the ZR IDC-type connector or the ZH crimp-style connector. This allows both types of connector to be used interchangeably without replacing the header.

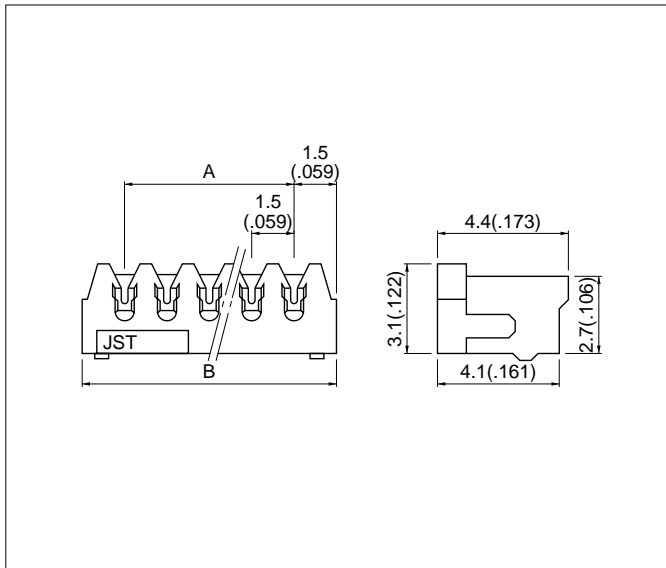
Specifications

- Current rating: 0.7A AC, DC (AWG #28)
 - Voltage rating: 50V AC, DC
 - Temperature range: -25°C to +85°C
(including temperature rise in applying electrical current)
 - Contact resistance: Initial value/20m Ω max.
After environmental testing/30m Ω max.
 - Insulation resistance: 500M Ω min.
 - Withstanding voltage: 500V AC/minute
 - Applicable wire: UL1571 (Contact JST regarding other UL styles.)
AWG #30, #28
Conductor/7 strands, tin-coated
Insulation O.D./0.7 to 0.8mm (.028" to .031")
(Contact JST for diameters greater than 0.8mm (.031").)
 - Applicable PC board thickness: 0.6 to 1.2mm (.024" to .047")
- * Contact JST if Lead-Free product is required.
* Refer to "General Instruction and Notice when using Terminals and Connectors" at the end of this catalog.
* Contact JST for details.

Standards

- Recognized E60389
- Certified LR20812
- R9351092

Receptacle



Cir- cuits	Model No.		Dimensions mm(in.)		Q'ty / box
	AWG #30 (natural/gray)	AWG #28 (green)	A	B	
2	02ZR-3H	02ZR-8M	1.5(.059)	4.5(.177)	2,000
3	03ZR-3H	03ZR-8M	3.0(.118)	6.0(.236)	2,000
4	04ZR-3H	04ZR-8M	4.5(.177)	7.5(.295)	2,000
5	05ZR-3H	05ZR-8M	6.0(.236)	9.0(.354)	2,000
6	06ZR-3H	06ZR-8M	7.5(.295)	10.5(.413)	2,000
7	07ZR-3H	07ZR-8M	9.0(.354)	12.0(.472)	2,000
8	08ZR-3H	08ZR-8M	10.5(.413)	13.5(.531)	2,000
9	09ZR-3H	09ZR-8M	12.0(.472)	15.0(.591)	2,000
10	10ZR-3H	10ZR-8M	13.5(.531)	16.5(.650)	2,000
11	11ZR-3H	11ZR-8M	15.0(.591)	18.0(.709)	2,000
12	12ZR-3H	12ZR-8M	16.5(.650)	19.5(.768)	2,000
13	13ZR-3H	13ZR-8M	18.0(.709)	21.0(.827)	2,000

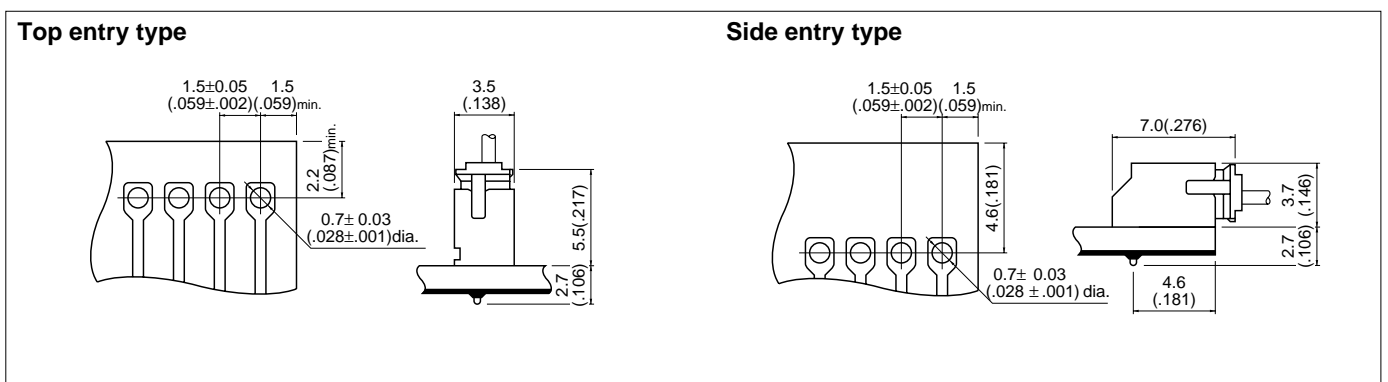
Material and Finish

Contact: Phosphor bronze, tin/lead-plated
Housing: Glass-filled nylon 66, UL94V-0

Shrouded header

The shrouded headers are interchangeable with those of the ZH crimp style connectors.

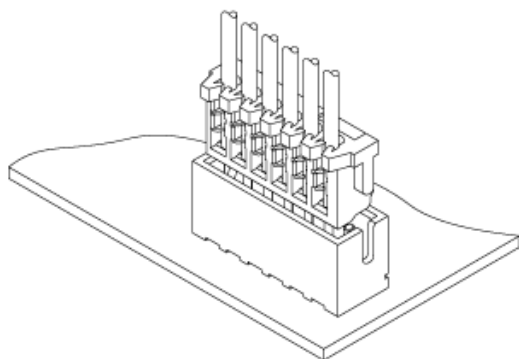
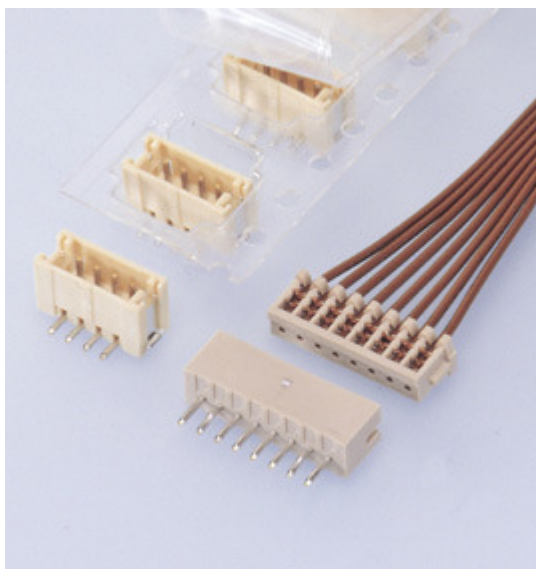
Through-hole type PC board layout (viewed from soldering side) and Assembly layout



Note:

1. Tolerances are non-cumulative: $\pm 0.05\text{mm}(\pm .002")$ for all centers.
2. Hole dimensions differ according to the kind of PC board and piercing method. The dimensions above should serve as a guideline. Contact JST for details.
3. As for the PC board layout for the SMT type shrouded headers, refer to that of the ZH connector.

ZR connector



- *Twin U-slot ID section
- *Fully shrouded header
- *The same shrouded header can be used for the style connector.

Product Profile

Series	ZR connector
Category	Wire to Board Insulation Displacement Connectors
Type	Disconnectable type IDC style, Ultra-compact type

Specification

Pitch	1.5
Current rating	AC/DC 0.7A (AWG#28)
Voltage rating	AC/DC 50V
Available number of circuits	2 to 13
PC board mounting direction	Top entry, Side entry

RoHS compliant products are published.
(LF)(SN) as identification part number shall be displayed.
When ordering RoHS compliant products, please inquire to
JST Sales Office, or order them with the described part number
(LF)(SN) as the identification marking after it.



[Further Information](#)

[Internet Shop](#)
[English](#)