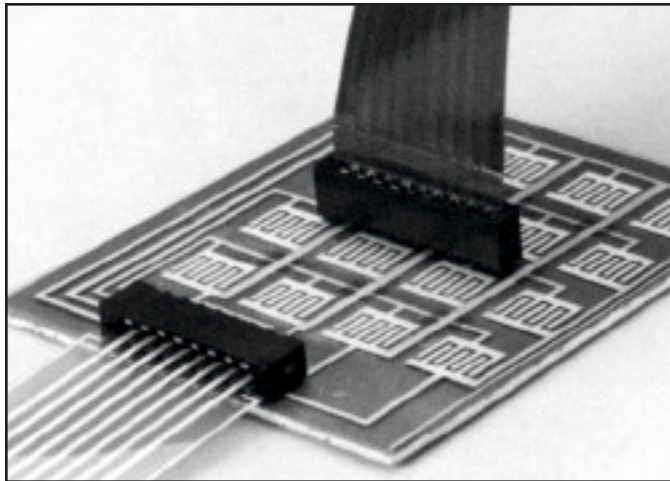


.100" (2.54mm) Flat Cable/Flex Circuit Connector



PART NUMBER LEGEND

123X-XX-01-XX

MOUNTING

10 = VERTICAL (.004/.022 THICK CIRCUITRY)

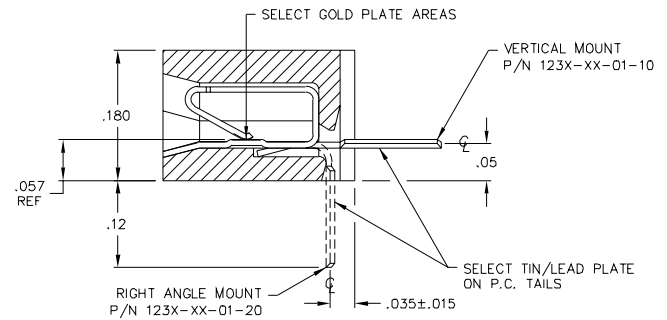
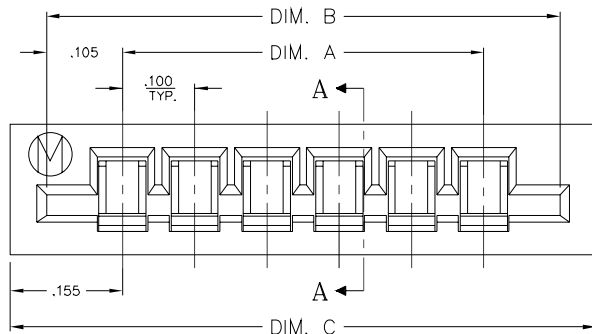
20 = RIGHT ANGLE (.004/.022 THICK CIRCUITRY)

NUMBER OF POSITIONS (SEE TABLE 1)

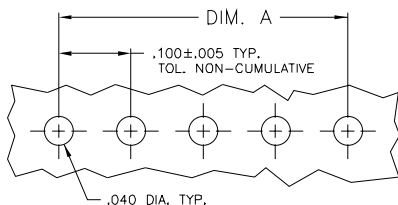
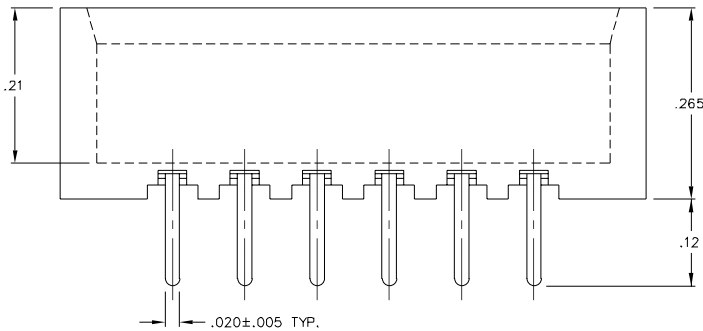
CONTACT FINISH (SEE NOTE 3)

NOTES:

- THIS CONNECTOR IS DESIGNED TO BE USED WITH .004/.022 THICK FLAT CABLE OR FLEX CIRCUITRY.
- MATERIALS: INSULATOR - GLASS REINFORCED NYLON 6/6, UL 94V-0, COLOR IS BLACK; CONTACTS - COPPER ALLOY.
- CONTACT FINISH: 1230 - BRITTE TIN OVER COPPER
1238 - SELECT GOLD (.000030) AND SELECT TIN/LEAD AS INDICATED WITH NICKEL UNDERPLATE



SECTION A-A



RECOMMENDED P.C. BOARD LAYOUT

TABLE 1

PART No.	No. OF POS.	DIM "A"	DIM "B"	DIM "C"
123X-03-01-XX	3	.200	.410	.510
-04	4	.300	.510	.610
-05	5	.400	.610	.710
-06	6	.500	.710	.810
-07	7	.600	.810	.910
-08	8	.700	.910	1.010
-09	9	.800	1.010	1.110
-10	10	.900	1.110	1.210
-11	11	1.000	1.210	1.310
-12	12	1.100	1.310	1.410
-13	13	1.200	1.410	1.510
-14	14	1.300	1.510	1.610
-15	15	1.400	1.610	1.710
-16	16	1.500	1.710	1.810
-17	17	1.600	1.810	1.910
-18	18	1.700	1.910	2.010
-19	19	1.800	2.010	2.110
-20	20	1.900	2.110	2.210
-21	21	2.000	2.210	2.310
-22	22	2.100	2.310	2.410
-23	23	2.200	2.410	2.510
-24	24	2.300	2.510	2.610
-25	25	2.400	2.610	2.710
-26	26	2.500	2.710	2.810
-27	27	2.600	2.810	2.910
-28	28	2.700	2.910	3.010
-29	29	2.800	3.010	3.110
123X-30-01-XX	30	2.900	3.110	3.210

ADDITIONAL SPECIFICATIONS