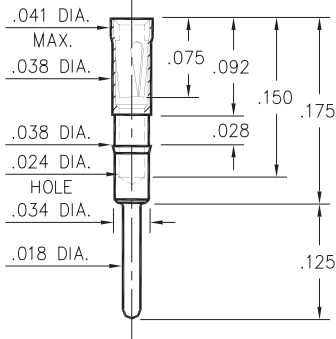
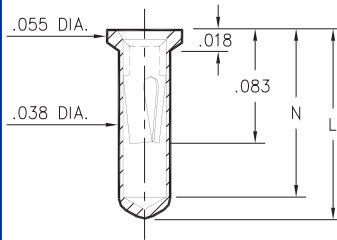


0467



0467-0-15-XX-21-XX-04-0
Press-fit in .037 mounting hole

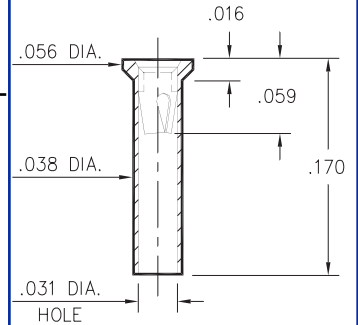
0552



0552-X-15-XX-X1-XX-10-0
Solder mount in .040 min. mounting hole

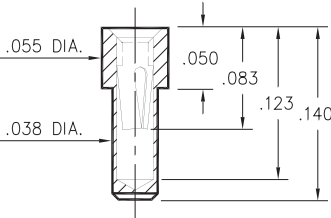
Basic Part Number	Length	Depth
	L	N
0552-1	.136	.120
0552-2	.170	.150

5522



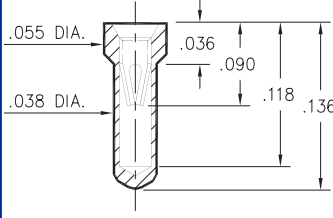
5522-0-15-XX-09-XX-10-0
Solder mount in .040 min. mounting hole

0569



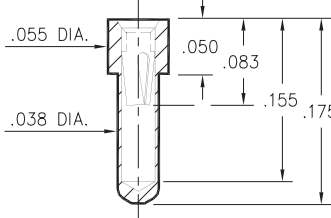
0569-0-15-XX-X1-XX-10-0
Solder mount in .040 min mounting hole

6023



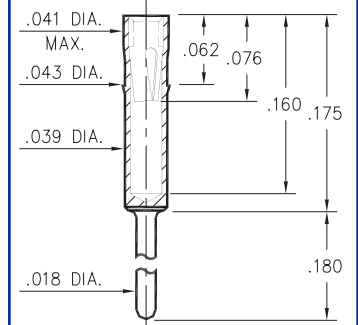
6023-0-15-XX-21-XX-10-0
Solder mount in .040 min mounting hole

6214



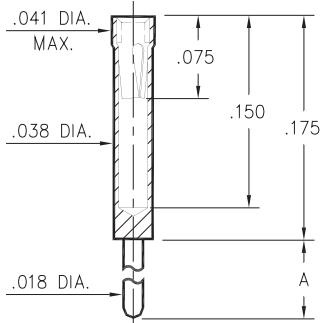
6214-0-15-XX-21-XX-10-0
Solder mount in .040 min mounting hole

2086



2086-0-15-XX-21-XX-04-0
Press-fit in .040 mounting hole

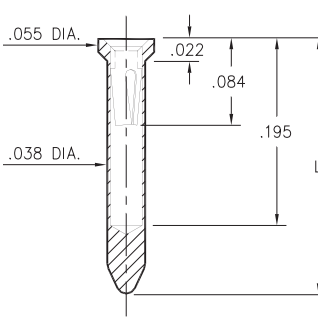
0461



0461-X-15-XX-X1-XX-04-0
Solder mount in .020 min. mounting hole

Basic Part Number	Length A
0461-0	.400
0461-1	.275
0461-2	.180
0461-3	.125
0461-4	.060
0461-5	.440

8579



8579-0-15-XX-X1-XX-10-0
Solder mount in .040 min mounting hole

Basic Part Number	Length L
8579-0	.234
8579-1	.295

SPECIFICATIONS

SHELL MATERIAL:
Brass Alloy 360, 1/2 Hard

CONTACT MATERIAL:
Beryllium Copper Alloy 172, HT

DIMENSION IN INCHES
TOLERANCES ON:
LENGTHS: ±.005
DIAMETERS: ±.002
ANGLES: ± 2°

ORDER CODE: XXXX - X - 15 - XX - XX - XX - XX - 0

BASIC PART # →

SPECIFY SHELL FINISH: →

01 200μ" TIN/LEAD OVER NICKEL
15 10μ" GOLD OVER NICKEL

SPECIFY CONTACT FINISH: →

02 200μ" TIN/LEAD OVER NICKEL
14 10μ" GOLD OVER NICKEL
27 30μ" GOLD OVER NICKEL

SELECT CONTACT

#09, #11 or #21 CONTACT (DATA ON PAGE 206)