

SMD Type Crystal Resonators [Jacket Type]

UM-1J, UM-4J, UM-5J



UM-1J



UM-5J

A surface-mount resonator 3.4 mm in height, consisting of a UM-type resonator and jacket.

■ Features

- Surface mount type of UM-1,4 and 5 crystal resonators with metal jacket.
- Higher precision and reliability.
- Good for automatic mounting and reflow soldering.

■ Series Resistance

Frequency	Type	Vibration Mode	UM-1J UM-5J	UM-4J
10~15MHz		Fund.	50Ωmax.	50Ωmax.
15~30MHz		Fund.	50Ωmax.	50Ωmax.
30~75MHz		3rd	70Ωmax.	70Ωmax.
75~100MHz		3rd	70Ωmax.	70Ωmax.
100~125MHz		5th	80Ωmax.	80Ωmax.
125~150MHz		5th	100Ωmax.	100Ωmax.
150~200MHz		7th	120Ωmax.	—

Consult our sales representative for other specifications or special specifications.

■ Frequency Range
10~200MHz

■ Vibration Mode
Thickness-shear mode (AT cut)

■ Drive Level
10μW

■ Load Capacitance
Series, 16pF, 20pF, 30pF, 32pF

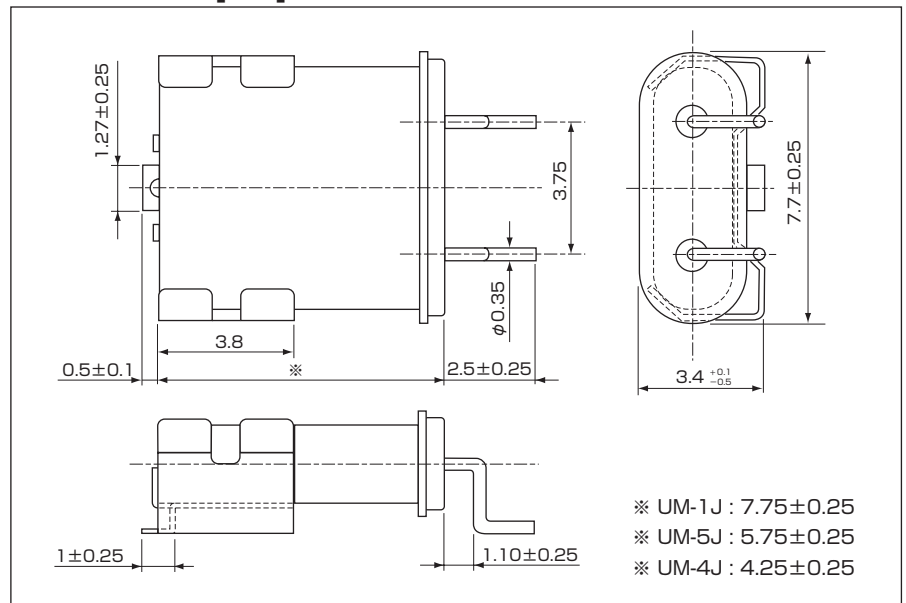
■ Frequency Tolerance (at 25°C)
±10×10⁻⁶

■ Frequency Tolerance over Temperature (Ref. to 25°C)
±5×10⁻⁶, ±10×10⁻⁶, ±15×10⁻⁶

■ Operating Temperature Range
-10~+60°C

■ Storage Temperature Range
-30~+80°C

■ Dimensions [mm]



■ Recommended Land Pattern [mm]

