

REVISION CW

NOTES:

1. MINIMUM PUSHOUT FORCE TO BE 12 OZ RETENTION FOR CONTACTS AND WELD TABS.
2. COPLANARITY: .004[.10] = POS 02 THRU 26
.006[.15] = POS 27 THRU 50
3. MANUFACTURING IN PROCESS DIMENSION DESIGNED TO ACHIEVE FINAL ASSEMBLY.
4. Ⓞ REPRESENTS A CRITICAL DIMENSION.
5. [] DIMENSIONS ARE IN MILLIMETERS.
6. MEASURED FROM BEND.
7. DIMENSION CHANGED PER REVISION AD.
CONTACT ENGINEERING FOR INFORMATION.
8. SIDES OF PLASTIC BODIES ON ALL LEAD STYLES EXCEPT THE -01 & -02 WILL BE SOLID, NOT RIBBED.
9. MEASURE FROM TIPS OF PIN.
10. NOTE DELETED.
11. .003[.08] MAXIMUM TERMINAL BURR.
12. .005 MAXIMUM HEIGHT VARIATION BETWEEN ANY TWO PINS.
13. MINIMUM LOCKING CLIP RETENTION TO BE 8 OZS.
14. THIS FEATURE ONLY PRESENT ON -01 & -02 LEAD STYLES.

DO NOT SCALE FROM THIS PRINT

CW TFM-1XX-XX-XXX-X-XXX

NO OF POSITIONS

- LEAD STYLE -01: (-5 THRU -50 ALL POSITIONS AVAILABLE)
LEAD STYLE -02: (-5 THRU -50 ALL POSITIONS AVAILABLE)
ALL OTHER LEAD STYLES: (-5 THRU -50 MULTIPLES OF 5)
LEAD STYLES -11, -12 POS 12, 16, 17 ALSO AVAILABLE
LEAD STYLES -21, -22, -31, -32 POS 12 AND 13 ALSO AVAILABLE

OPTION

- A: ALIGNMENT PIN (USE TFM-XX-D-XX-A, SEE TABLE 1) (SEE FIG. 8 SHEET 3) (NOT AVAILABLE FOR -RA OR -RE)
- LC: LOCKING CLIP (USE LC-05-TM) (NOT AVAILABLE FOR -RA OR -RE) (SEE FIG. 10 SHEET 3) (SEE NOTE 13)
- P: PICK AND PLACE PAD (USE PPP-04) (AVAILABLE IN ALL POSITIONS) (NOT AVAILABLE FOR -RA OR -RE, SEE FIG. 7 SHEET 3)
- RA: RIGHT ANGLE (AVAILABLE ONLY IN LEAD STYLE: -01 SEE FIG. 5, SHEET 2)
- TR: TAPE AND REEL (SEE FIG. 4, SHEET 5)
- SA: STAKED ALIGNMENT PIN (SEE FIG. 9, SHEET 3) (NOT AVAILABLE FOR -RA OR -RE)
- K: POLYIMIDE FILM (SEE FIG. 3)
- WT: WELD TABS (USE WT-25-XX-T) (AVAILABLE ON -01 AND -02 LEAD STYLES ONLY) (SEE FIG. 6 SHEET 2) (AVAILABLE ON -05, -07, -10, -15, -20, -25, AND -30 POS ONLY) (AVAILABLE WITH -L AND -S PLATING ONLY) (NOT AVAILABLE WITH -A, -LC, -RA, OR -SA OPTIONS)
- *-RE1: RIGHT ANGLE ELEVATED .062 PCB (USE TFM-XX-D-01-RE, NOT AVAILABLE WITHOUT -WT, AVAILABLE IN LEAD STYLE -01 ONLY, AVAILABLE IN -5 THRU -30 POSITIONS ONLY) (SEE FIG. 11, SHEET 4)
- *-RE2: RIGHT ANGLE ELEVATED .093 PCB (USE TFM-XX-D-01-RE, NOT AVAILABLE WITHOUT -WT, AVAILABLE IN LEAD STYLE -01 ONLY, AVAILABLE IN -5 THRU -30 POSITIONS ONLY) (SEE FIG. 12, SHEET 4)

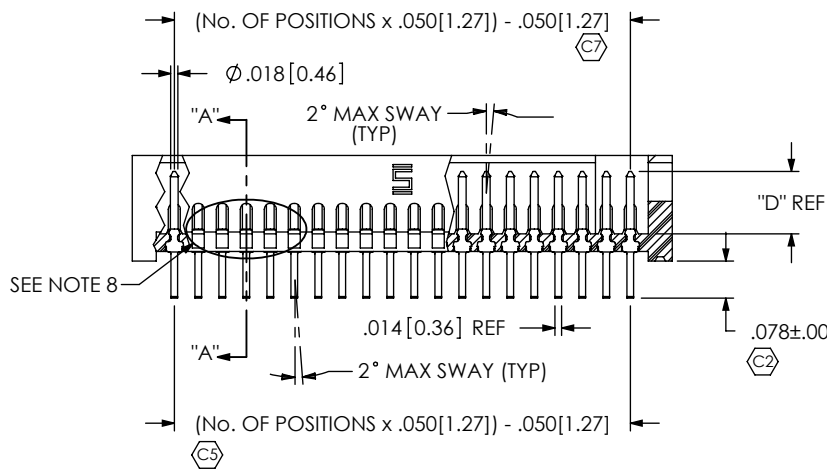
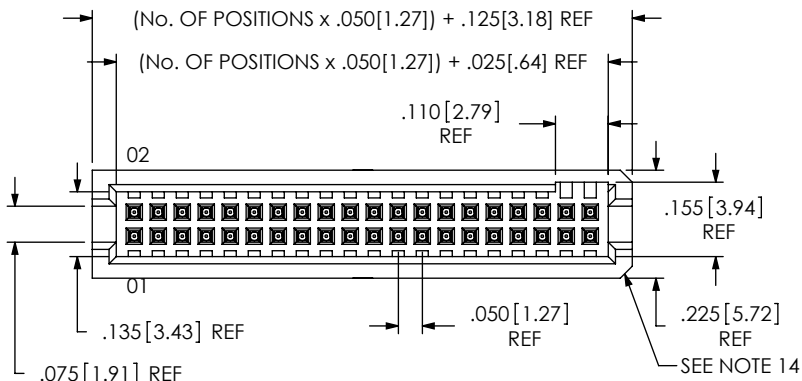


FIGURE 1 THROUGH HOLE -01, -11, -21, -31

LEAD STYLE

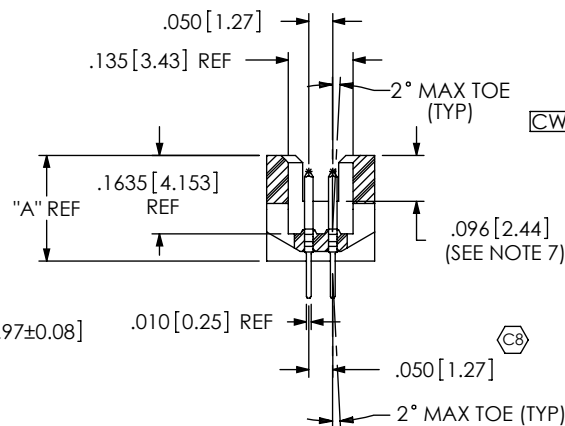
- THROUGH HOLE SURFACE MOUNT
-01 (SEE FIG. 1) -02 (SEE FIG. 2)
-11 (SEE FIG. 1) -12 (SEE FIG. 2)
-21 (SEE FIG. 1) -22 (SEE FIG. 2)
-31 (SEE FIG. 1) -32 (SEE FIG. 2)

PLATING SPECIFICATION

- S: SELECTIVE
- L: LIGHT SELECTIVE
- F: FLASHED GOLD
- P: GOLD FLASHED PALLADIUM NICKEL
- G: GOLD
- H: HEAVY GOLD
- SM: SELECTIVE HEAVY GOLD, MATTE TIN TAIL
- LM: SELECTIVE LIGHT GOLD, MATTE TIN TAIL
- FM: SELECTIVE FLASH GOLD, MATTE TIN TAIL
- STL: SELECTIVE TIN LEAD

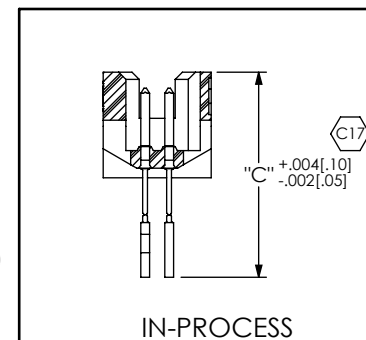
BODY SPECIFICATION

- D: DOUBLE ROW



SECTION "A"- "A"

CW * = NOT RELEASED FOR PRODUCTION



CW

TABLE 1

LEAD STYLE	BODY	"A"	TERMINAL 1	TERMINAL 1 "B"	TERMINAL 2	TERMINAL 2 "B"	"C"	"D"	"E"
-01 -02	TFM-XX-D-01-XX	.2200 [5.588]	T-1R16-01-XX-2	0.015 [.38]	N/A	N/A	0.427 [10.85]	0.133 [3.38]	0.230 [5.84]
-11 -12	TFM-XX-D-02-XX	.2900 [7.366]	T-1R20-03-XX	0.030 [.76]	N/A	N/A	0.644 [16.36]	0.130 [3.30]	0.300 [7.62]
-21 -22	TFM-XX-D-03-XX	.3600 [9.144]	T-1R20-04-XX	0.100 [2.54]	N/A	N/A	0.644 [16.36]	0.130 [3.30]	0.370 [9.40]
-31 -32	TFM-XX-D-04-XX	.4350 [11.049]	T-1R20-02-XX	0.175 [4.45]	N/A	N/A	0.644 [16.36]	0.130 [3.30]	0.445 [11.30]
-01-RA	TFM-XX-D-01-XX	.2200 [5.588]	T-1R16-02-XX	0.035 [.89]	T-1R16-03-XX	0.083 [2.11]	N/A	0.133 [3.38]	0.230 [5.84]
-01-RE1	TFM-XX-D-01-RE	.2400 [6.096]	T-1R16-06-XX	0.035 [.89]	T-1R16-07-XX	0.083 [2.11]	N/A	0.133 [3.38]	N/A
-01-RE2	TFM-XX-D-01-RE	.2400 [6.096]	T-1R16-08-XX	0.035 [.89]	T-1R16-09-XX	0.083 [2.11]	N/A	0.133 [3.38]	N/A

UNLESS OTHERWISE SPECIFIED, DIMENSIONS ARE IN INCHES.

TOLERANCES ARE:
DECIMALS ANGLES
.XX: ±.01 [.3] 2°
.XXX: ±.005 [.13]
.XXXX: ±.0020 [.051]

PROPRIETARY NOTE

THIS DOCUMENT CONTAINS INFORMATION CONFIDENTIAL AND PROPRIETARY TO SAMTEC, INC. AND SHALL NOT BE REPRODUCED OR TRANSFERRED TO OTHER DOCUMENTS OR DISCLOSED TO OTHERS OR USED FOR ANY PURPOSE OTHER THAN THAT WHICH IT WAS OBTAINED WITHOUT THE EXPRESSED WRITTEN CONSENT OF SAMTEC, INC.

MATERIAL: DO NOT SCALE DRAWING SHEET SCALE: 2.5:1
INSULATOR: LIQUID CRYSTAL POLYMER, COLOR: BLACK
TERMINAL: PHOSPHOR BRONZE

DESCRIPTION: .050 X .050 TERMINAL STRIP
DWG. NO. CW TFM-1XX-XX-XXX-X-XXX
BY: B RAY 7-10-2007 SHEET 1 OF 5



520 PARK EAST BLVD, NEW ALBANY, IN 47150
PHONE: 812-944-6733 FAX: 812-948-5047
e-Mail: info@SAMTEC.com code: 55322

FIGURE 2
THROUGH HOLE
-02, -12, -22, -32
(DIFFERENT AS SHOWN, OTHERWISE SAME AS FIG. 1)

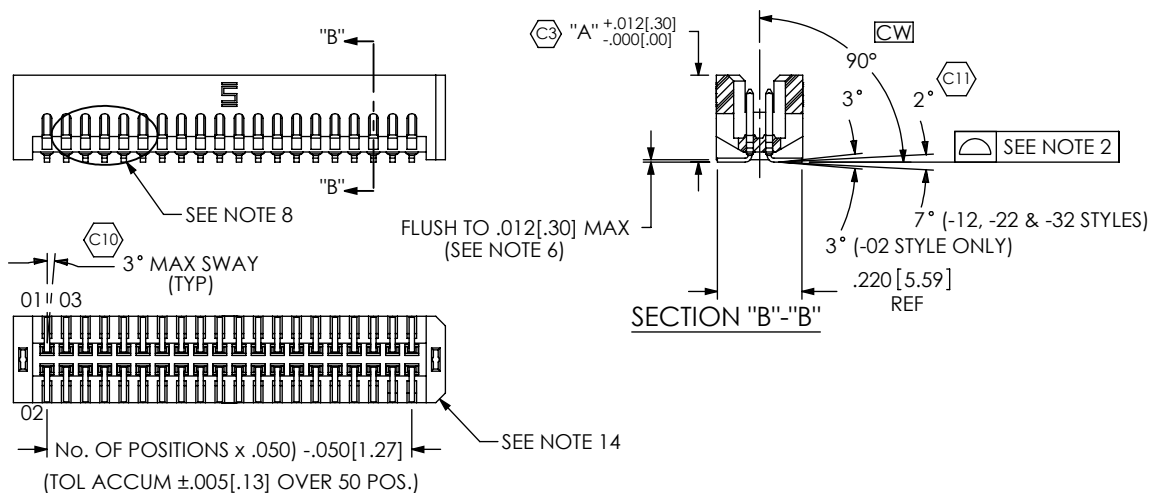


FIGURE 3
-K: POLYIMIDE FILM PAD

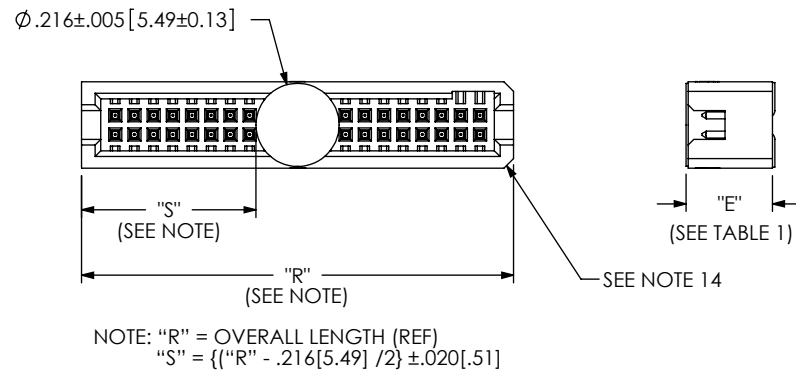


FIGURE 5
-RA OPTION
DIFFERENT AS SHOWN, OTHERWISE SAME AS FIG. 1

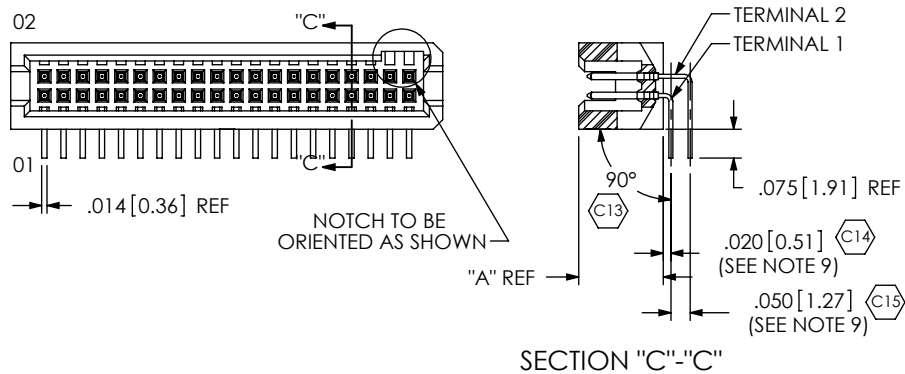
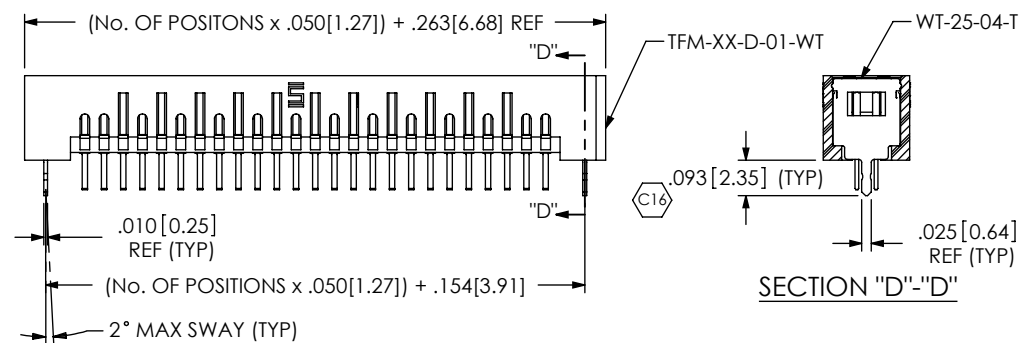
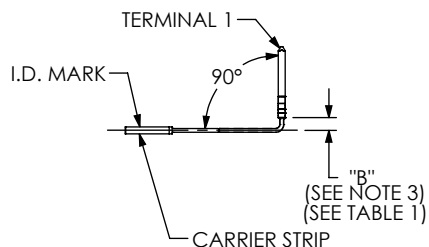


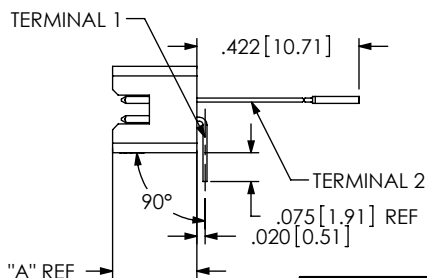
FIGURE 6
-WT OPTION
DIFFERENT AS SHOWN, OTHERWISE SAME AS FIG. 1



IN-PROCESS 1
(ORIENT I.D. MARK AS SHOWN)
(FOR -RA OPTION ONLY)



IN-PROCESS 2



PROPRIETARY NOTE
THIS DOCUMENT CONTAINS INFORMATION CONFIDENTIAL AND PROPRIETARY TO SAMTEC, INC. AND SHALL NOT BE REPRODUCED OR TRANSFERRED TO OTHER DOCUMENTS OR DISCLOSED TO OTHERS OR USED FOR ANY PURPOSE OTHER THAN THAT WHICH IT WAS OBTAINED WITHOUT THE EXPRESSED WRITTEN CONSENT OF SAMTEC, INC.

DO NOT SCALE DRAWING
SHEET SCALE: 2:1

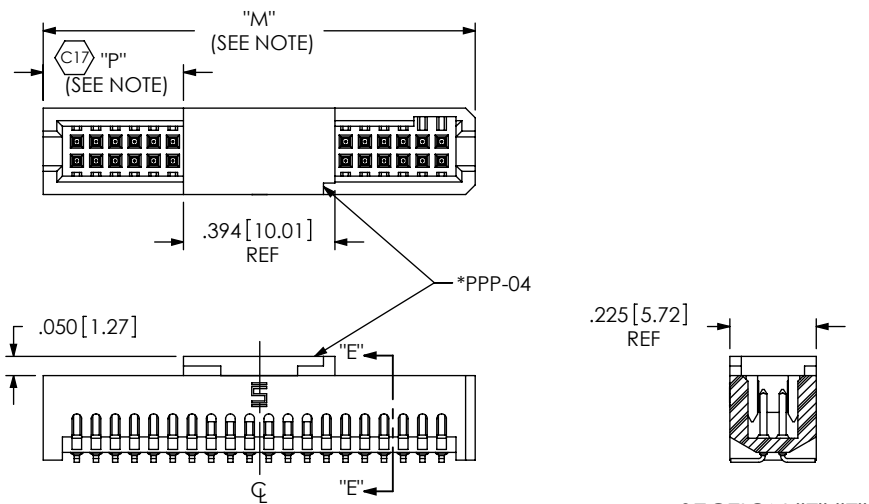


520 PARK EAST BLVD, NEW ALBANY, IN 47150
PHONE: 812-944-6733 FAX: 812-948-5047
e-Mail: info@SAMTEC.com code: 55322

DESCRIPTION: .050 X .050 TERMINAL STRIP
DWG. NO. TFM-1XX-XX-XXX-X-XXX
BY: B RAY 7-10-2007 SHEET 2 OF 5

FIGURE 7
-P OPTION

DIFFERENT AS SHOWN, OTHERWISE SAME AS FIG. 1
(PAD TO BE POSITIONED ON C.L. AS SHOWN)



NOTE: "M" = (No. OF POSITIONS X .050[1.27]) + .125[3.18] (REF)
"P" = {"M" - .394[10.01] / 2} ±.020[.51]

* NOTCH ON PAD FOR 10 POSITION OR LESS TO BE ON SAME END AS THE NOTCH IN THE TFM BODY

SECTION "E"-E

FIGURE 8
-A OPTION

DIFFERENT AS SHOWN, OTHERWISE SAME AS FIG. 1

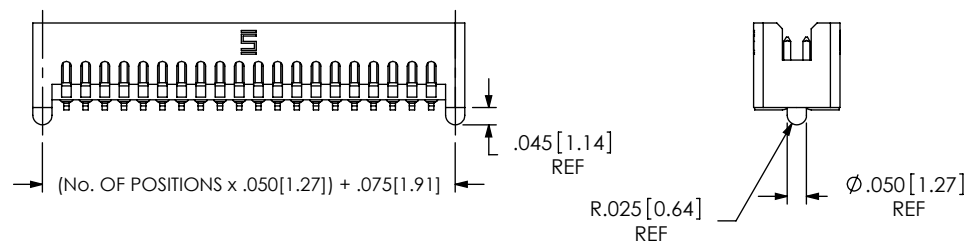


FIGURE 9

-SA OPTION: STAKED ALIGNMENT PIN
DIFFERENT AS SHOWN, OTHERWISE SAME AS FIG. 1

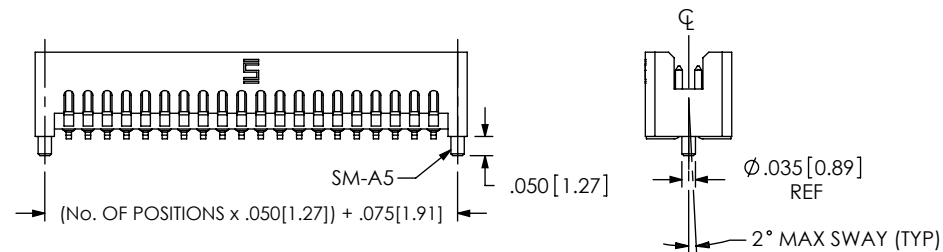
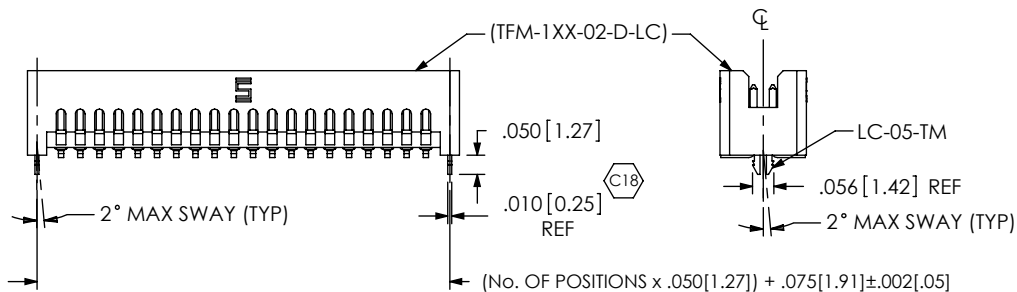
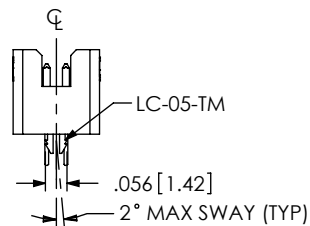


FIGURE 10
-LC OPTION

DIFFERENT AS SHOWN, OTHERWISE SAME AS FIG. 1
(NOT AVAILABLE ON -RA)



(TFM-1XX-01-D-LC) CW



PROPRIETARY NOTE

THIS DOCUMENT CONTAINS INFORMATION CONFIDENTIAL AND PROPRIETARY TO SAMTEC, INC. AND SHALL NOT BE REPRODUCED OR TRANSFERRED TO OTHER DOCUMENTS OR DISCLOSED TO OTHERS OR USED FOR ANY PURPOSE OTHER THAN THAT WHICH IT WAS OBTAINED WITHOUT THE EXPRESSED WRITTEN CONSENT OF SAMTEC, INC.

DO NOT SCALE DRAWING

SHEET SCALE: 2:1

samtec

520 PARK EAST BLVD, NEW ALBANY, IN 47150
PHONE: 812-944-6733 FAX: 812-948-5047
e-Mail: info@SAMTEC.com code: 55322

DESCRIPTION: .050 X .050 TERMINAL STRIP

DWG. NO. TFM-1XX-XX-XXX-X-XXX

BY: B RAY 7-10-2007 SHEET 3 OF 5

REVISION CW

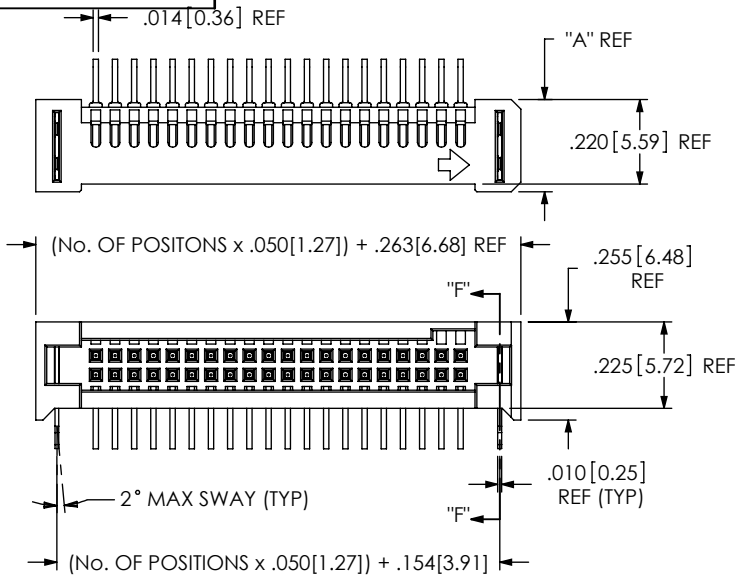


FIGURE 11
 -RE1: RIGHT ANGLE ELEVATED .062 PCB
 DIFFERENT AS SHOWN, OTHERWISE SAME AS FIG. 1
NOT RELEASED FOR PRODUCTION

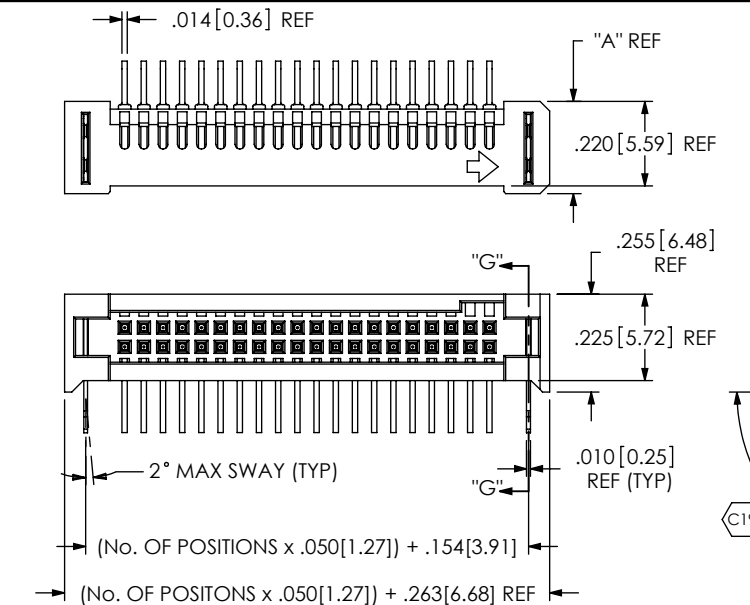
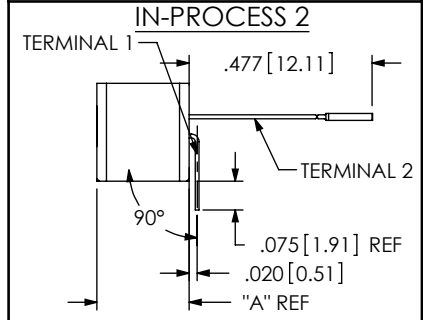
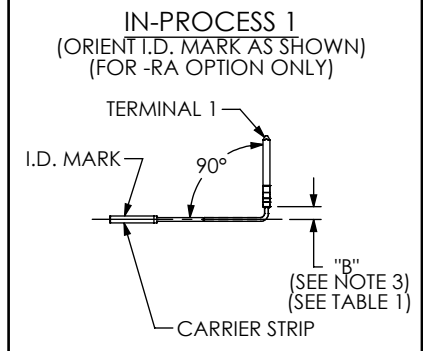
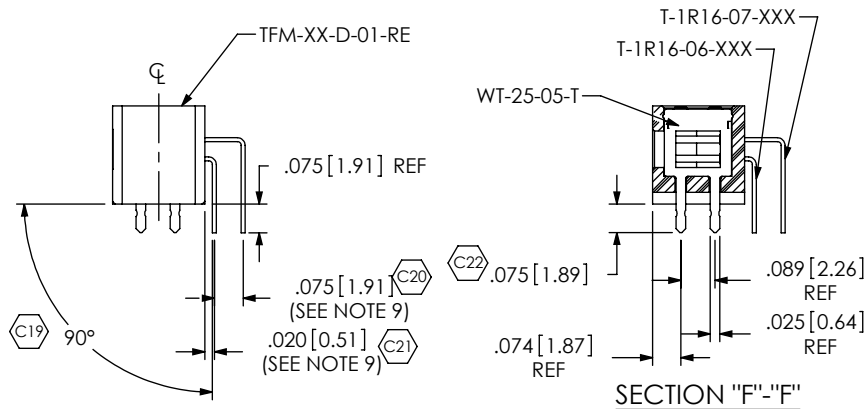
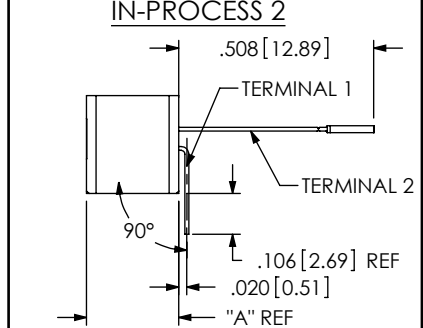
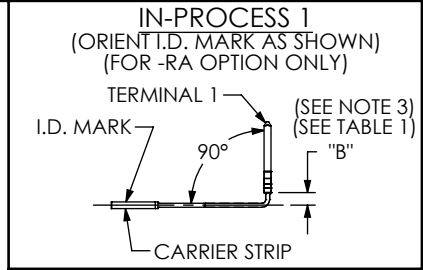
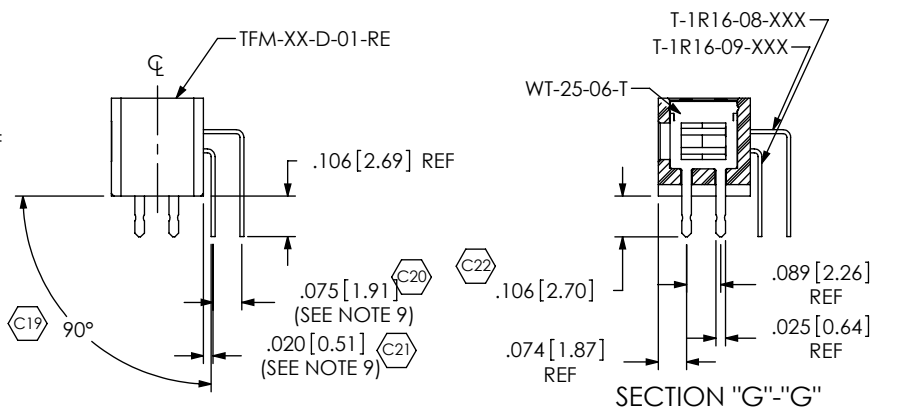


FIGURE 12
 -RE2: RIGHT ANGLE ELEVATED .093 PCB
 DIFFERENT AS SHOWN, OTHERWISE SAME AS FIG. 1
NOT RELEASED FOR PRODUCTION



PROPRIETARY NOTE
 THIS DOCUMENT CONTAINS INFORMATION CONFIDENTIAL AND PROPRIETARY TO SAMTEC, INC. AND SHALL NOT BE REPRODUCED OR TRANSFERRED TO OTHER DOCUMENTS OR DISCLOSED TO OTHERS OR USED FOR ANY PURPOSE OTHER THAN THAT WHICH IT WAS OBTAINED WITHOUT THE EXPRESSED WRITTEN CONSENT OF SAMTEC, INC.

DO NOT SCALE DRAWING

SHEET SCALE: 2:1

samtec

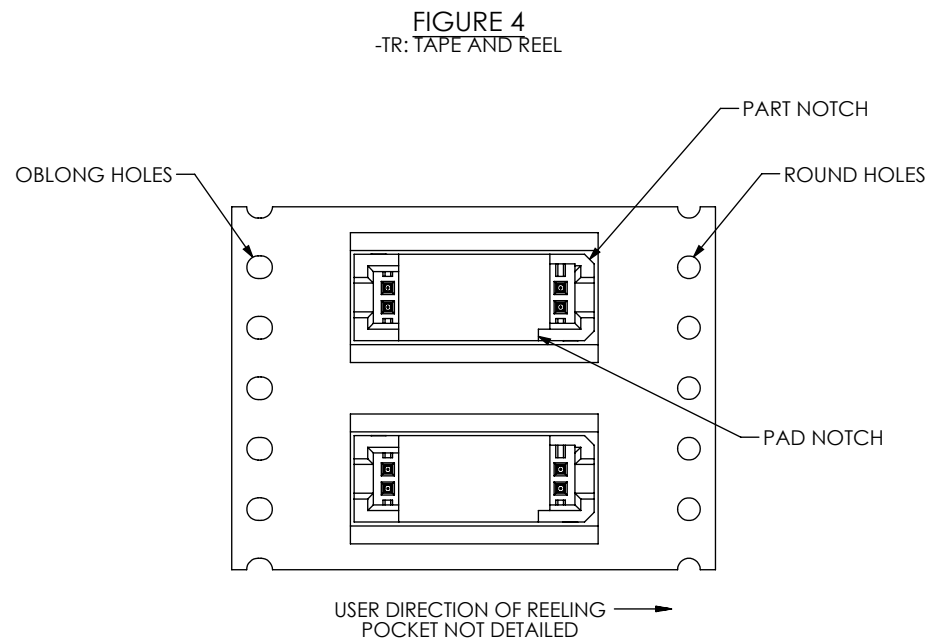
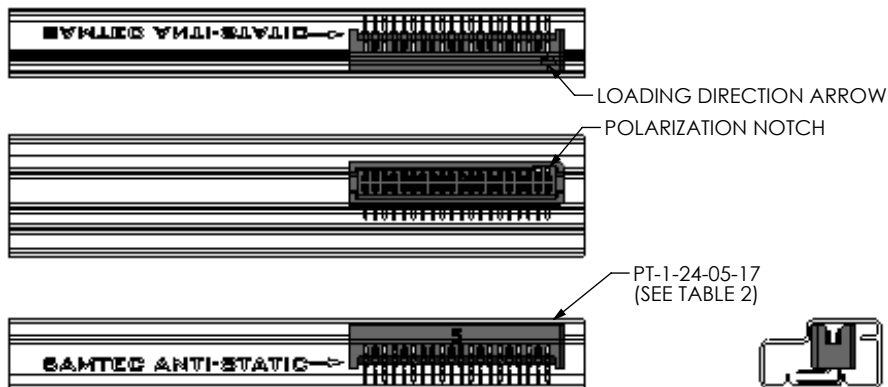
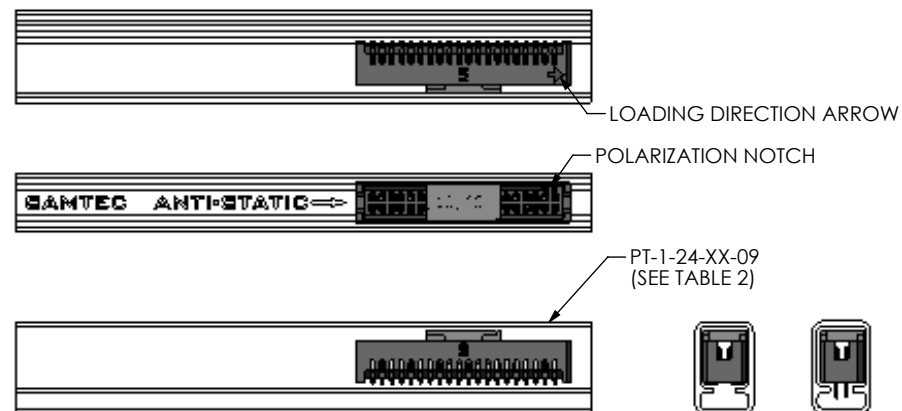
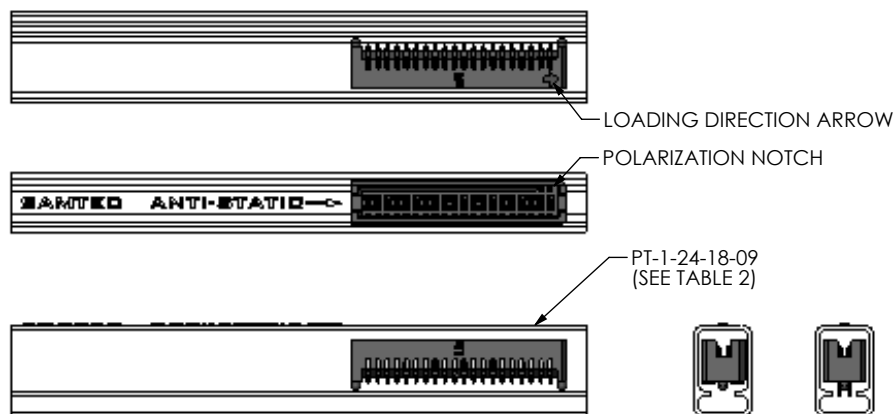
520 PARK EAST BLVD. NEW ALBANY, IN 47150
 PHONE: 812-944-6733 FAX: 812-948-5047
 e-Mail: info@SAMTEC.com code: 53322

DESCRIPTION: .050 X .050 TERMINAL STRIP

DWG. NO. TFM-1XX-XX-XXX-X-XXX

BY: B RAY 7-10-2007 SHEET 4 OF 5

PARTS TO BE PACKAGED IN TUBES AS SHOWN



CW TABLE 2

LEAD STYLE	PACKAGING TUBE	PLUG
-RA (ALL LEAD STYLES)	PT-1-24-5-17	TP-07
-REX	PT-1-24-03-38	TP-03
-02, -02-A, -02-A-K, -02-LC	PT-1-24-01-09	TP-24
-12 (ALL OPTIONS), -22-K, -22, -22-A, -22-A-K, -22-LC, -22-LC-K	PT-1-24-04-09	TP-07
-02-A-P, -02-K, -02-LC-K, -02-LC-P, -02-P, -02-WT,	PT-1-24-18-09	TP-09
-01 (ALL OPTIONS), -11, -11-A, -11-LC, -11-K, -11-LC-K, -11-A-K		
-31-A-K, -31-A-P, -31-LC-P, -31-P, -32, -32-K, -32-A, -32-A-K,	PT-1-24-02-09	TP-07
-32-A-P, -32-LC-K, -32-LC-P, -32-P		
-31, -21-P, -22-P, -31-LC, -21-A-P, -21-LC-P, -22-LC-P, -31-A,	PT-1-24-05-09	TP-07
-32-LC, -22-A-P, -31-LC-K, -31-K		
-11-P, -11-LC-P, -11-A-P, -21, -21-K, -21-A, -21-LC, -21-A-K, -21-LC-K	PT-1-24-20-09	TP-07

NOTE:
PARTS TO BE PACKAGED WITH THE LOADING DIRECTION ARROW POINTED IN SAME DIRECTION AS THE ARROW ON TUBE.

PROPRIETARY NOTE
THIS DOCUMENT CONTAINS INFORMATION CONFIDENTIAL AND PROPRIETARY TO SAMTEC, INC. AND SHALL NOT BE REPRODUCED OR TRANSFERRED TO OTHER DOCUMENTS OR DISCLOSED TO OTHERS OR USED FOR ANY PURPOSE OTHER THAN THAT WHICH IT WAS OBTAINED WITHOUT THE EXPRESSED WRITTEN CONSENT OF SAMTEC, INC.

DO NOT SCALE DRAWING

SHEET SCALE: 2:1



520 PARK EAST BLVD, NEW ALBANY, IN 47150
PHONE: 812-944-6733 FAX: 812-948-5047
e-Mail: info@SAMTEC.com code: 53322

DESCRIPTION:
.050 X .050 TERMINAL STRIP

DWG. NO.
TFM-1XX-XX-XXX-X-XXX

BY: B RAY 7-10-2007 SHEET 5 OF 5