

6

5

4

3

2

1

MATERIAL AND FINISH

Insulator: Thermoplastic, UL-94V-0 Rated
Contacts: Copper Alloy, Plating (see chart)

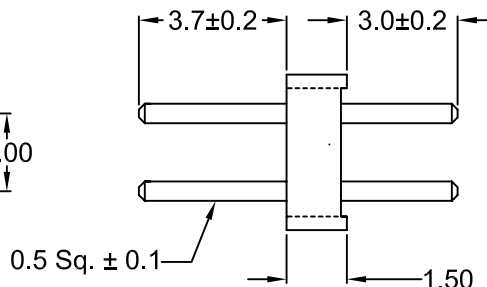
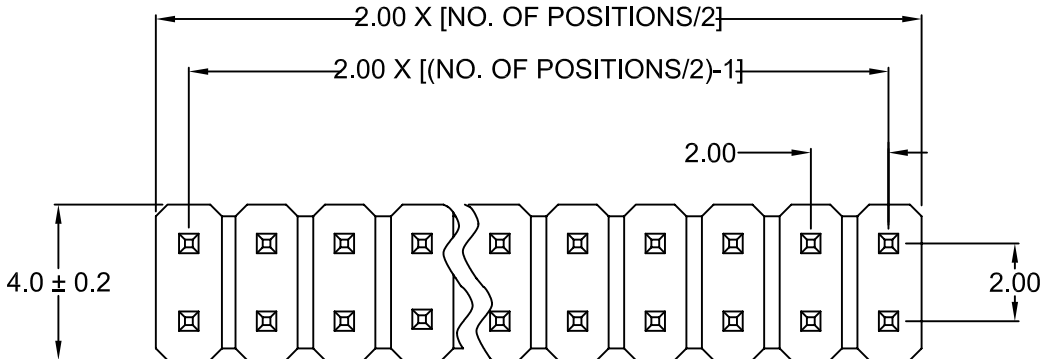
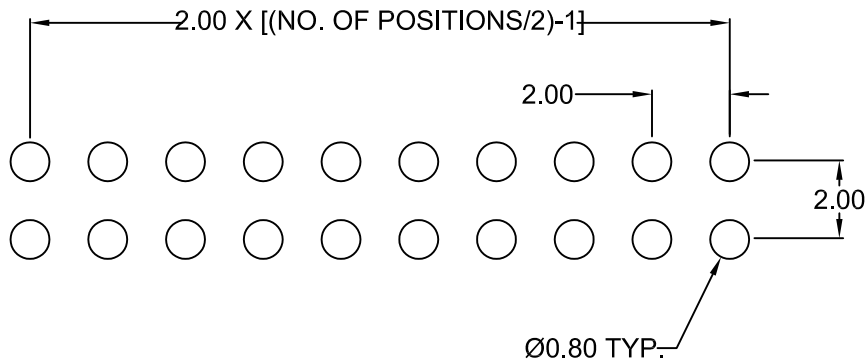
MECHANICAL SPECIFICATIONS:
Durability: 100 Cycles

ELECTRICAL SPECIFICATIONS:

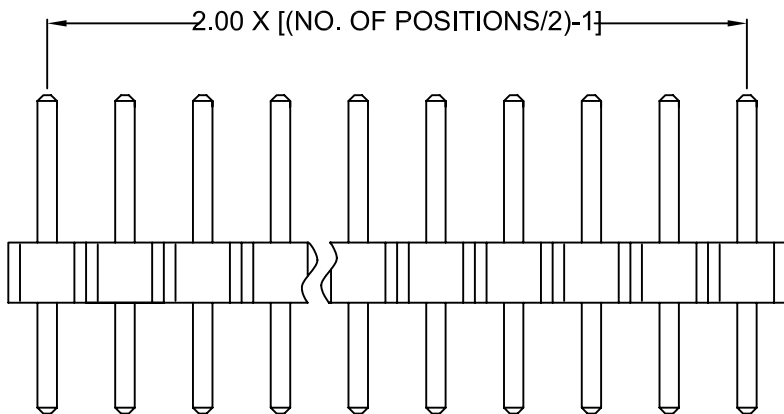
Rated Current: 1A
Contact Resistance: 20 mohm max.
Insulation Resistance: 5000 Mohm min. at 500VDC
Dielectric Withstanding Voltage: 1000VAC for one minute

Operating Temperature: -55°C TO +105°C

RECOMMENDED
P. C. B. LAYOUT



P/N	PLATING
TCMD-0XX-20	Gold Flash
TCMD-0XX-T-20	TIN
TCMD-0XX-1-20	5 μ" Gold
TCMD-0XX-2-20	10 μ" Gold
TCMD-0XX-3-20	15 μ" Gold
TCMD-0XX-4-20	30 μ" Gold



REVISIONS	CHANGE	CHNG/CHK/APPR
	DATE	

TOLERANCE UNLESS OTHERWISE SPECIFIED	
X	± 1
X.X	± 0.4
X.XX	± 0.20
DRAWN BY	BP
CHECK BY	
DATE:	3/3/00
DATE:	
DATE:	

Power Dynamics, Inc.
 Phone: 973 560-0019 Whippany, New Jersey Fax: 973 560-0076
 PART: PIN HEADER; 2.00mm PITCH; 4-80 PINS
 DOUBLE ROW / STRAIGHT PIN
TCMD-0XX-X-20
 SHEET 1 of 1
 PART #: TCMD-0XX-X-20
 SIZE: A ALL DIMENSIONS FOR REFERENCE ONLY
 SCALE: NTS DIMENSIONS ARE IN MILLIMETERS
 REV:

6

5

4

3

2

1