

Self-Shielded Audio Transformers

Using EP Geometry cores, these transformers provide excellent shielding.

Isolation is 1500 Vrms minimum

Longitudinal Balance is 60dB min.

Frequency range: 300Hz to 3400Hz

Electrical Specifications at 25°C

Surface Mount EP7 Style Part Number	Impedance (Ohms)	UNBAL. DC (mA)	Insertion Loss (dB) ⁽¹⁾	Frequency Response (dB)	Return Loss (dB) ⁽²⁾	Pri. DCR max. (Ω)	Sec. DCR max. (Ω)
T-30400G	600 / 600	0.0	0.7	0.50	18	31	39

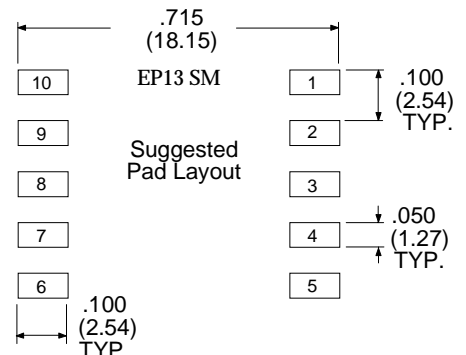
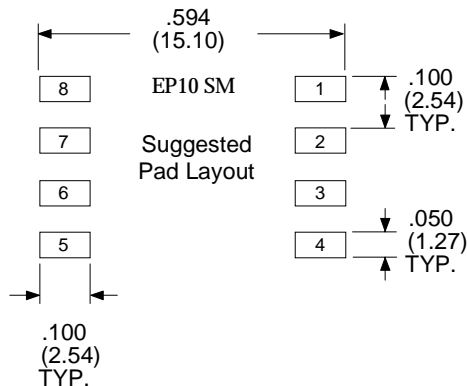
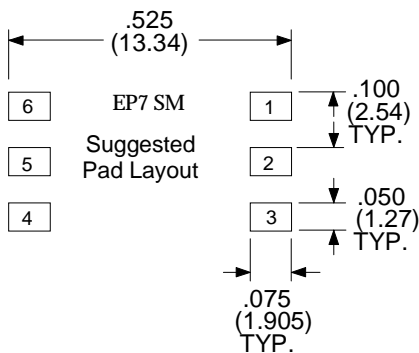
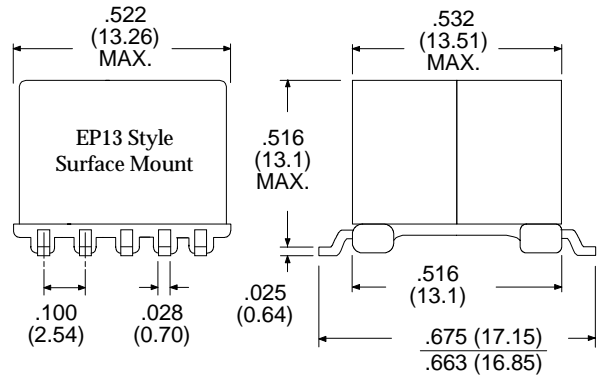
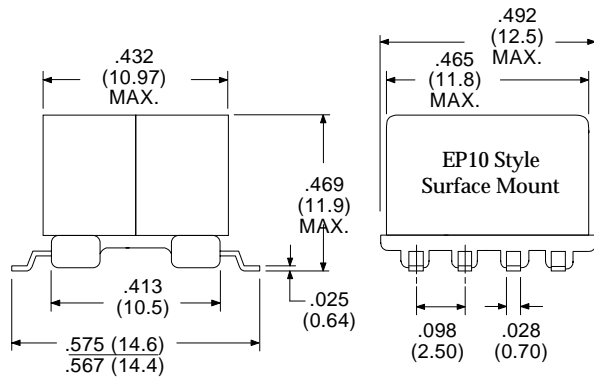
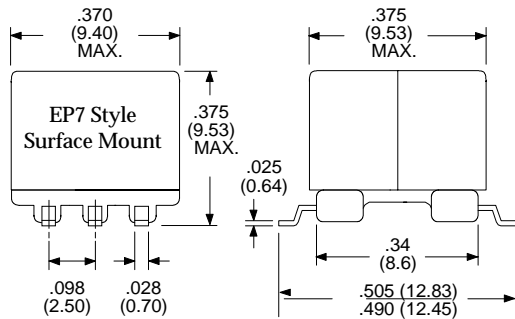
Electrical Specifications at 25°C

Surface Mount EP10 Style Part Number	Impedance (Ohms)	UNBAL. DC (mA)	Insertion Loss (dB) ⁽¹⁾	Frequency Response (dB)	Return Loss (dB) ⁽²⁾	Pri. DCR max. (Ω)	Sec. DCR max. (Ω)
T-30401G	600 / 600	0.0	0.9	0.50	21	34	43

Electrical Specifications at 25°C

Surface Mount EP13 Style Part Number	Impedance (Ohms)	UNBAL. DC (mA)	Insertion Loss (dB) ⁽¹⁾	Frequency Response (dB)	Return Loss (dB) ⁽²⁾	Pri. DCR max. (Ω)	Sec. DCR max. (Ω)
T-30402G	600 / 600	0.0	1.0	0.25	26	36	47
T-30403G	900 / 900	0.0	1.0	0.25	26	44	58

Dimensions in Inches (mm)



1. Insertion Loss measured at 1 kHz.
2. Return Loss measured at 300 Hz.

