

ELECTRICAL SPECIFICATIONS:

1.0 TURNS RATIO (P6-P5-P4) : (J6-J3)
 (P3-P2-P1) : (J2-J1)

2.0 INDUCTANCE (P6-P5-P4)
 (J1-J2)

3.0 LEAKAGE INDUCTANCE P6-P5-P4 (WITH J6 AND J3 SHORT)
 P3-P2-P1 (WITH J2 AND J1 SHORT)

4.0 INTERWINDING CAPACITANCE (P6,P5,P4) TO (J6,J3)
 (P3,P2,P1) TO (J2,J1)

5.0 DC RESISTANCE (J6-J3)=(J2-J1)

: 1CT : 1CT ± 3%
 : 1CT : 1.41CT ± 3%

: 350uH MIN. @ 0.1V , 100KHz, 8mA DC Bias
 : 350uH MIN. @ 0.1V, 100KHz, 8mA DC Bias

: 0.3 MAX. @ 1MHz
 : 0.3 MAX. @ 1MHz

: 25pf TYP. @ 1MHz
 : 25pf TYP. @ 1MHz

: 1.2 ohms Max.

NOTES

1.0 PINS WITHOUT ELECTRICAL CONNECTION ARE OMITTED.

InNet Technologies Inc.
<http://www.innet-tech.com>
 Stewart Connector Systems
<http://www.stewartconnector.com>

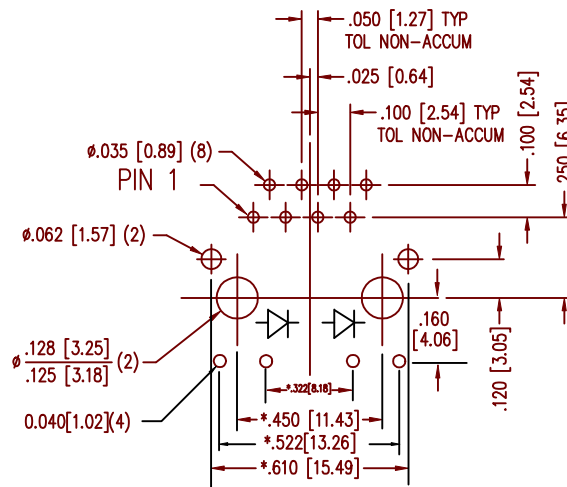
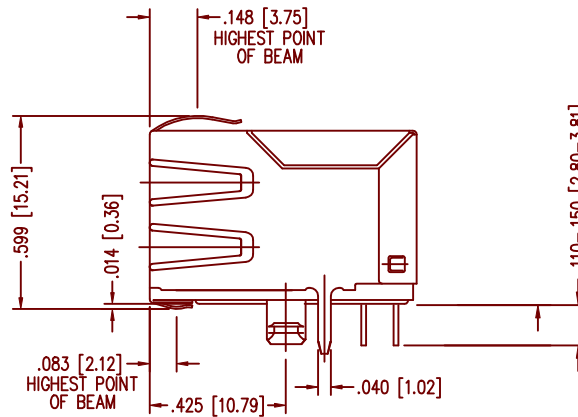
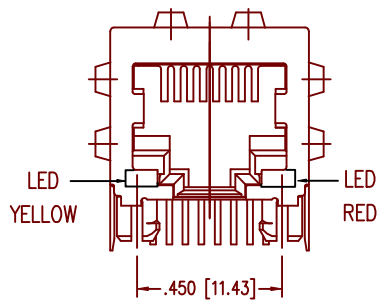
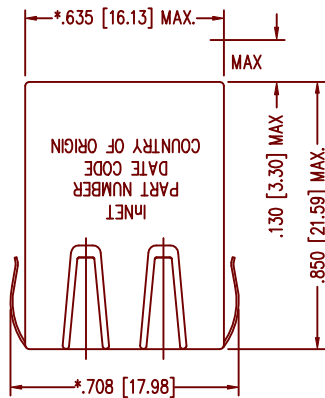
SHEET
 1 OF 4

DRAWING NO. SI-40235

REV. 01

	TRANSMIT	RECEIVE
6.0 RETURN LOSS: (P6-P4)=100 OHMS AND (P1-P3)=100 OHM REF. 1MHz TO 30MHz 60MHz TO 80MHz NOTE: 100 OHMS CONNECTED TO (J2-J1) OR (J6-J3).	: 12dB MIN.	18dB MIN. 12dB MIN.
7.0 VOLTAGE WITHSTAND: (J1, J2) TO (P1, P3) (J3, J6) TO (P4,P6)	: 1500 VAC : 1500 VAC	1500 VAC 1500 VAC
8.0 INSERTION LOSS: RS=RL=100 ohms 100KHz TO 100MHz	1.1 dB TYP	1.1 dB TYP
9.0 RISE TIME: RS=100 OHMS AND RL = 100 OHMS OUTPUT VOLTAGE = 1 V peak PULSE WIDTH= 112nS	3.0 nS MAX 3.0 nS MAX	3.0 nS MAX 3.0 nS MAX
10.0 CROSS TALK: 1MHz TO 100MHz	40 dB TYP	40 dB TYP
11.0 COMMON TO COMMON MODE ATTENUATION: 30MHz TO 100MHz	35dB TYP	35dB TYP

<p>InNet Technologies Inc. http://www.innet-tech.com Stewart Connector Systems http://www.stewartconnector.com</p>		
SHEET 2 OF 4	DRAWING NO. SI-40235	REV. 01



P.C.B. RECOMMENDED HOLE LAYOUT
SEEN FROM COMPONENT SIDE
TOLERANCE $\pm .003 [0.08]$ UNLESS OTHERWISE SPECIFIED

NOTES:

- TOLERANCES COMPLY WITH F.C.C. DIMENSION REQUIREMENTS
- DIMENSIONS SHOWN WITH "*" TO BE CENTRAL ABOUT CENTER LINE
- DIMENSIONS SHOWN ARE SUBJECT TO CHANGE WITHOUT NOTICE.
- PIN NOT ELECTRICALLY CONNECTED MAYBE OMITTED. SEE ELECTRICAL DRAWING FOR OMITTED PINS.

AVAILABLE WITH:

- STANDARD 50 MICRO-INCH SELECTIVE GOLD PLATING (AVAILABLE WITH 30)

LED SPECIFICATIONS

- FORWARD VOLTAGE(20mA) :
YELLOW : 2.1V (TYP) ; 2.5V (MAX)
RED : 2.0V (TYP) ; 2.5V (MAX)
- POWER DISSIPATION : 105mW
- WAVE LENGTH:
YELLOW : 590nm
RED : 625nm
- LUMINOUS INTENSITY (10mA) :
YELLOW : 2-8 MCD
RED : 5-32 MCD

InNet Technologies Inc.

<http://www.innet-tech.com>

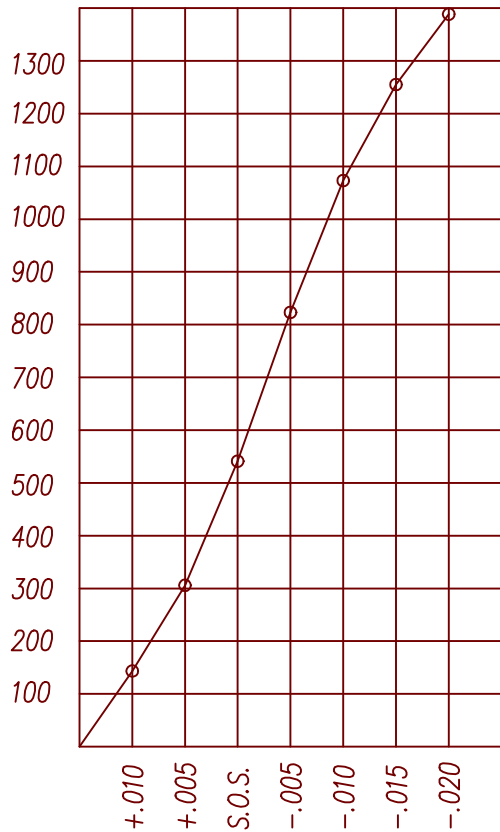
Stewart Connector Systems

<http://www.stewartconnector.com>

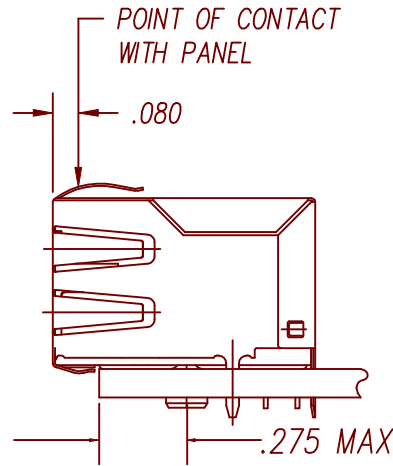
SHEET
3 of 4

DRAWING NO. SI-40235

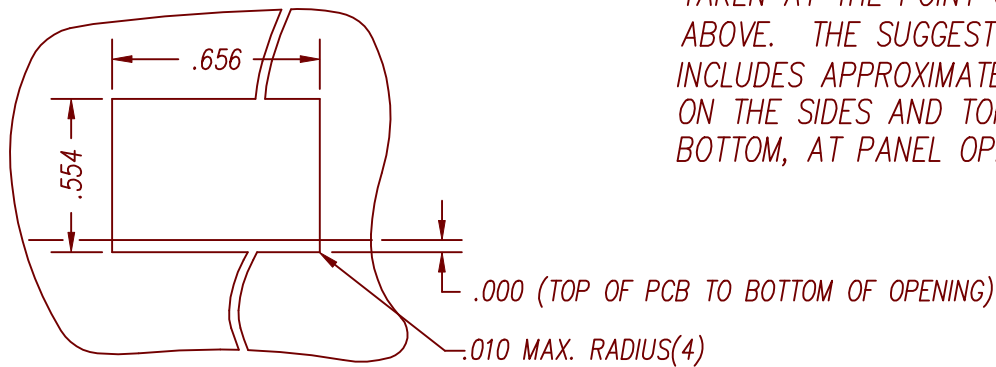
REV. 01



PANEL GROUNDING BEAM DEFLECTION
S.O.S. = SUGGESTED OPENING SIZE



THE SUGGESTED PANEL OPENING IS INTENDED TO GIVE THE USER THE ABILITY TO HAVE REASONABLE JACK / PANEL CLEARANCES YET MAINTAIN RELIABLE GROUNDING CAPABILITY. THESE VARIABLES CAN BE ADJUSTED IN EITHER DIRECTION BUT MAY CARRY SOME CONSEQUENCES IN THE FORM OF LOWER MATING FORCES OR TIGHTER ASSEMBLY TOLERANCES. FORCE VALUES ON THE GRAPH ARE GENERAL AVERAGES TAKEN AT THE POINT OF CONTACT SHOWN ABOVE. THE SUGGESTED PANEL OPENING INCLUDES APPROXIMATELY .020 CLEARANCE ON THE SIDES AND TOP AND .013 ON THE BOTTOM, AT PANEL OPENING.



SUGGESTED PANEL OPENING

InNet Technologies Inc.
<http://www.innet-tech.com>
 Stewart Connector Systems
<http://www.stewartconnector.com>

SHEET 4 of 4

DRAWING NO. SI-40235 REV. 01