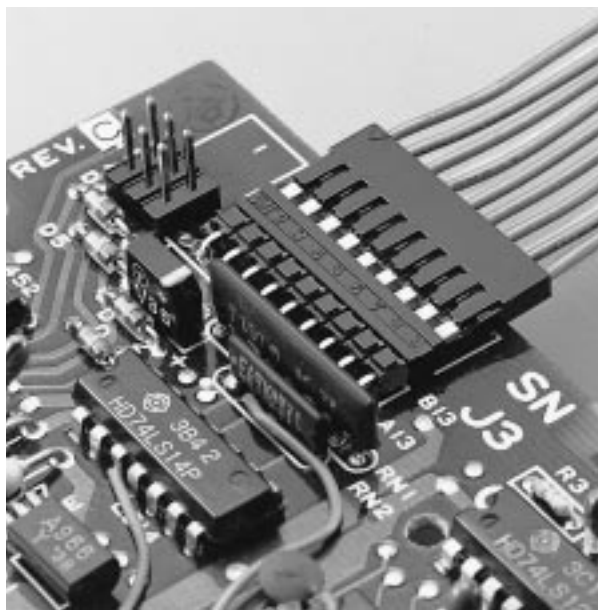
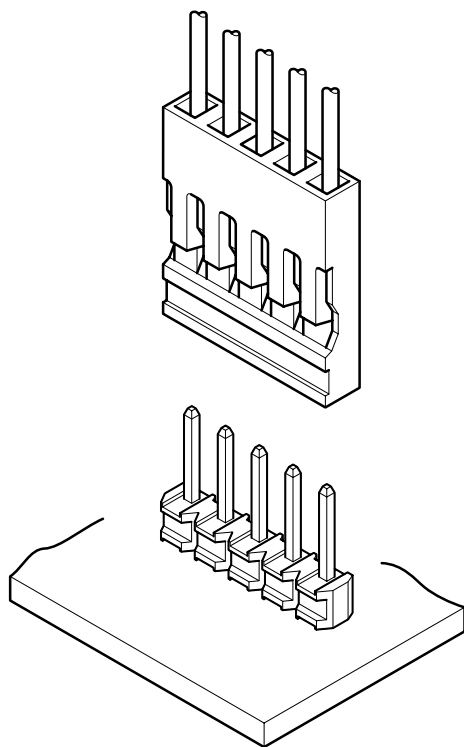


RE CONNECTOR·HEADER

Disconnectable Crimp style connectors and headers



The RE series was developed as a reliable, low-cost, crimp style connector for connecting wires to printed circuit boards. It is well suited for completing the internal connections of office automation equipment, such as personal computers, office computers, and their peripheral devices.



Features

• **Reliable, yet low in cost**

Our unique, double-leaf spring contact withstands the stresses caused by repeated mating and unmating and ensures a stable high-pressure connection. The contacts and headers are selectively gold-plated to reduce costs. Depending on the application, fully tin-plated contacts and headers are available to further reduce costs.

• **Space-saving, high-density design**

Measuring only 16.54mm (.651") in height and 2.54mm (.100") thick when mounted on a printed circuit board, the RE connector and header require less mounting space and facilitate high-density circuit design.

• **Easy contact insertion**

A slight force is all that is needed to insert the contacts into the housing, because the housing has lances. The position of the contacts in the housing can be visually checked. This facilitates insertion of the contacts in the housing.


• **It can be cut to any length to provide a header with any number of circuits**

Notches are provided on the insulator that allow it to be cut to any length without using special tools.

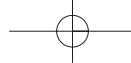
Specifications

- Current rating: 2.0A AC, DC (AWG #24)
 - Voltage rating: 250V AC, DC
 - Temperature range: (including temperature rise in applying electrical current)
 - 55°C to +105 °C (gold plated)
 - 55°C to +85°C (tin-plated)
 - Contact resistance: Initial value/15mΩ max.
After environmental testing/30m Ω max.
 - Insulation resistance: 1,000MΩ min.
 - Withstanding voltage: 1,500V AC/minute
 - Applicable wire: AWG #30 to #24
 - Applicable PC board thickness: 1.2 to 1.6mm (.047" to .063")
- * Contact JST for details.

Standards

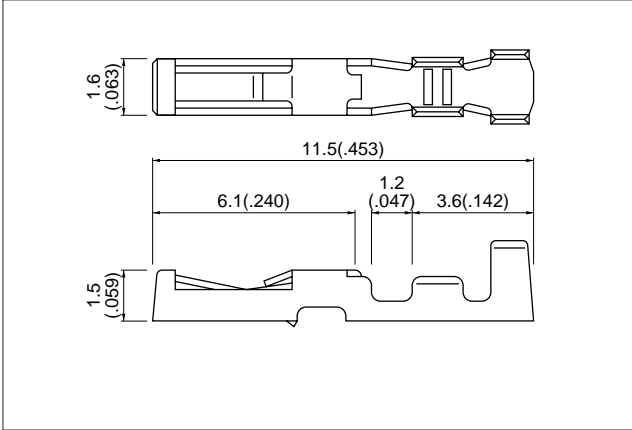
 Recognized file No. E60389

 Certified file No. LR20812



RE CONNECTOR-HEADER

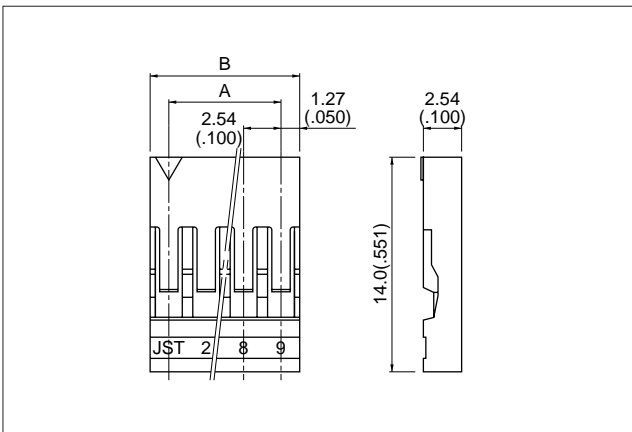
Contact



Model No.	Applicable wire			Finish	Q'ty / reel
	mm ²	AWG #	Insulation O.D. mm(in.)		
RF-SC2210	0.05 to 0.22 (.002 to .009)	30 to 24 (1.181 to .945)	0.9 to 1.5 (.035 to .059)	Nickel-undercoated, Mating section: Gold-plated Crimp section: Tin/lead-plated	10,000
RF-SC2290					

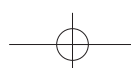
Material
Phosphor bronze

Housing



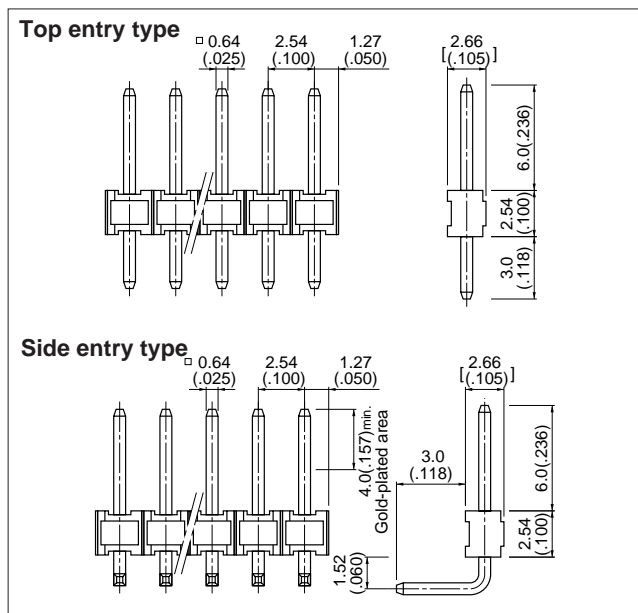
Cir- cuits	Model No.	Dimensions mm(in.)		Q'ty / box
		A	B	
2	RE-02	2.54(.100)	5.08(.200)	1,000
4	RE-04	7.62(.300)	10.16(.400)	1,000
5	RE-05	10.16(.400)	12.70(.500)	1,000
8	RE-08	17.78(.700)	20.32(.800)	500
9	RE-09	20.32(.800)	22.86(.900)	500

Material
PBT, UL94V-0, black



RE CONNECTOR·HEADER

Header



Top entry type

Model No.	Material		Finish
	Wafer	Post	
RE-H() 2TD-1130	PBT, UL94V-0, black	Brass	Nickel-undercoated, gold-plated
RE-H(*) 2TD-1190			Copper-undercoated, tin/lead-plated

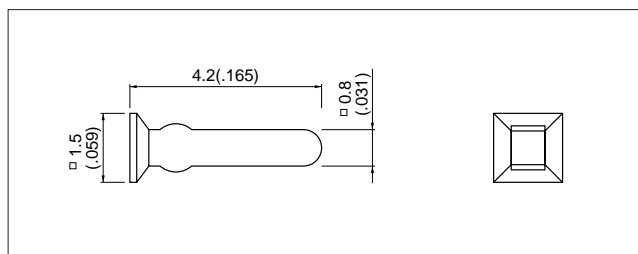
Side entry type

Model No.	Material		Finish
	Wafer	Post	
RE-H(*) 2SD-1110	PBT, UL94V-0, black	Brass	Nickel-undercoated, Mating section: Gold-plated Solder tail: Tin/lead-plated
RE-H(*) 2SD-1190			Copper-undercoated, tin-plated tin/lead-plated

Note:

1. A two-digit number (01 to 30) representing the number of circuits should be inserted in (*). Determine the number depending on the number of circuits of the housing or header.
2. Contact JST for special products.
3. The headers marked * are not UL nor CSA certified.

Polarizing key



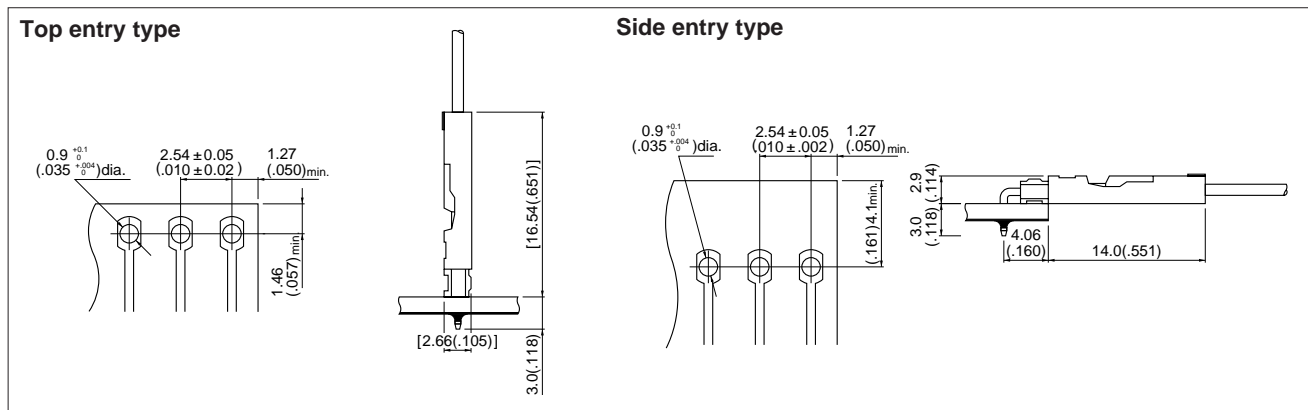
Model No.	Q'ty / bag
PK-RF-1	2,000

Material

PBT, UL94V-0, black

Polarizing key: The polarizing key in the housing prevents misinsertion of the connector to the header.

PC board layout (viewed from soldering side) and Assembly layout



Note:

- 1) Tolerances are non-cumulative: ±0.05mm (±.002") for all centers.
- 2) Hole dimensions differ according to the kind of PC board and piercing method. The dimensions above should serve as a guideline. Contact JST for details.