

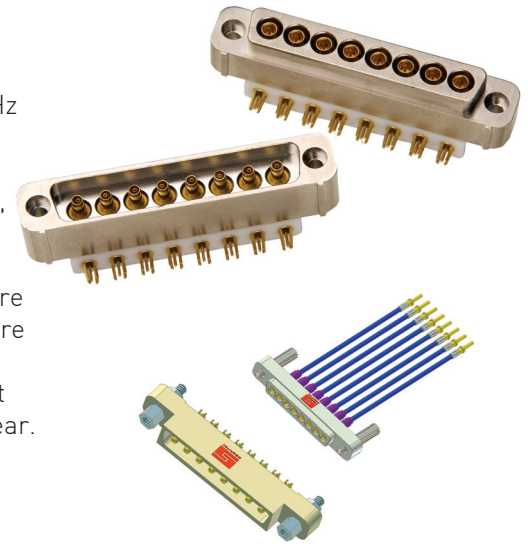


MDCX Coax Connectors

Sabritec's MDCX multipin coax connectors have a low VSWR of 1.25:1 up to 20 GHz (max mated pair). Each coax contact has a maximum overall diameter of 0.125" fitted into a low-profile metallized or plastic housing. Insert arrangements are available in 4, 6, 8, 10 and 12 way coax assemblies as well as mixed signal, power, coax, and high speed twinax in hybrid arrangements.

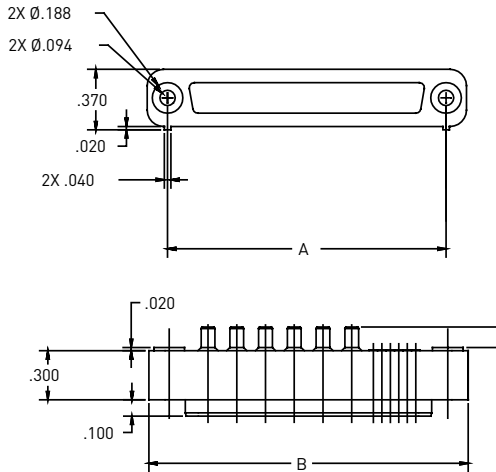
MDCX coaxial contacts have a constant 50 ohm airline impedance interface and are 30% smaller than Sabritec's SCX coaxial connectors. Combined signal contacts are available in mil-spec type Size 22 (MIL-C-39029) or Hypertac® low insertion force contacts. Hypertac® contacts feature shock and vibration immunity, high current and voltage ratings, low electrical contact resistance, long life, and low rate of wear.

Sabritec's MDCX line is available with locking post mechanisms or blind-mate hardware attachment. Please consult factory for more details.

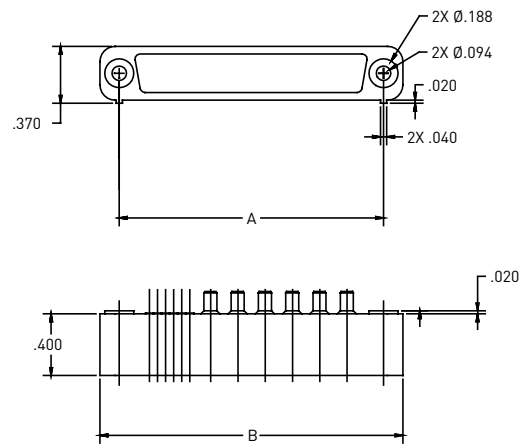


MDCX with locking post

MDCX Plug

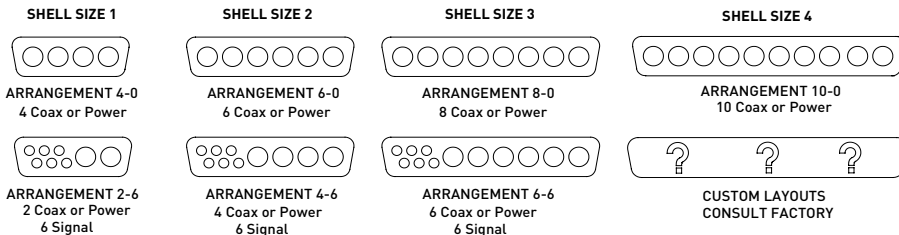


MDCX Receptacle

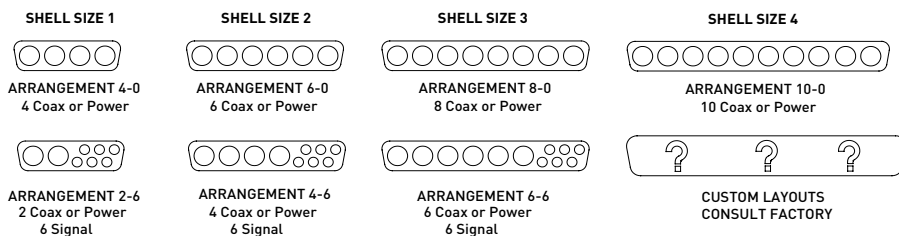


INSERT ARRANGEMENTS

RECEPTACLE INSERT ARRANGEMENTS



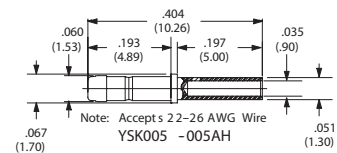
PLUG INSERT ARRANGEMENTS



ARRANGEMENTS/DIMENSIONS

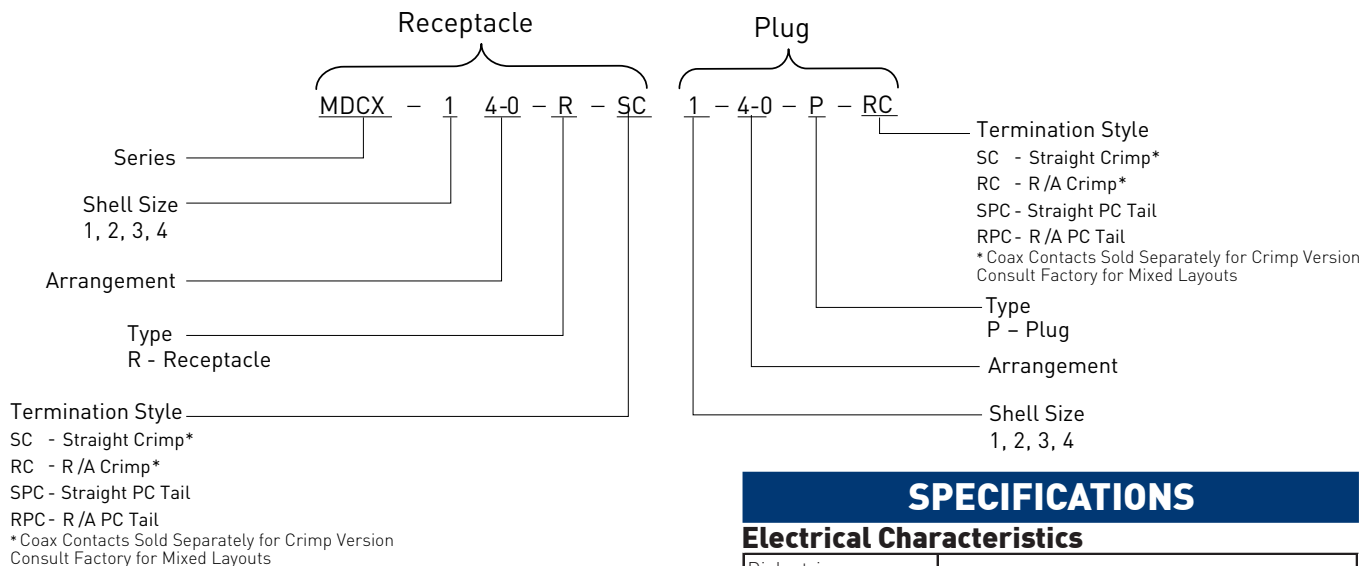
Arrangement	Shell Size	A dim.	B dim.	Signal Contact Engagement Dia.
2-6	1	1.005	1.255	.030 .018*
4-0	1	1.005	1.255	N/A
4-6	2	1.355	1.605	.030 .018*
6-0	2	1.355	1.605	N/A
6-6	3	1.705	1.955	.030 .018*
8-0	3	1.705	1.955	N/A
10-0	4	2.057	2.307	N/A

*For use with Hypertac® Crimp Lugs using YSK005-005AH contacts. Contact Factory for details.

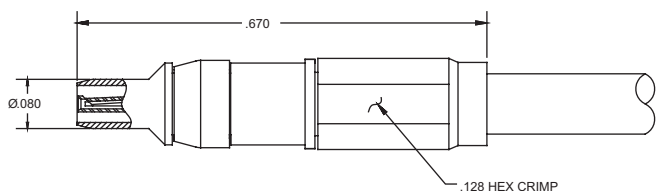


NOTE: High Speed Size 10 Twinax contacts can be incorporated into the MDCX connector body for alternate insert arrangements in larger footprint patterns. Please consult factory for details.

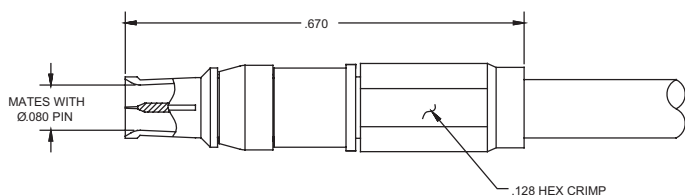
Ordering Information



REMOVABLE MDCX COAXIAL PIN CONTACT

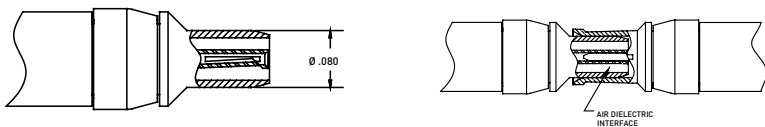


REMOVABLE MDCX COAXIAL SOCKET CONTACT

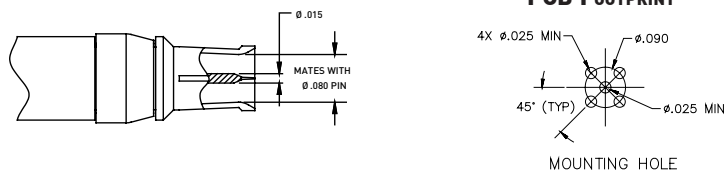


MDCX Cable Version Contacts Sold Separately

MDCX CONTACT INTERFACE



PCB FOOTPRINT



SPECIFICATIONS

Electrical Characteristics

Dielectric Withstanding Voltage	500 VRMS @ sea level with 70% relative humidity
Insulation Resistance	1000 megaohms min. @ 250 VDC
Contact Current Rating	5 Amps max. for 0.030 Signal Pins 2.0 Amps max. for .015 Signal Contacts
Characteristic Impedance	50 Ohm constant airline impedance
RF HI Potential Withstanding Voltage	125 VRMS @ 5 MHz
Corona Level @ 70,000 FT	Center contact to intermediate contact: 125 VAC
Permeability	2.0 max
Frequency Range	DC to 20 GHz
VSWR	1.25:1 max. (mated pair)

Mechanical & Environmental

Temperature Rating	-65° to +165°C
Corrosion	MIL-STD-202 Method 101, Test Condition B
Shock	MIL-STD-202 Method 213, Test Condition B
Vibration	MIL-STD-202 Method 204, Test Condition B
Thermal Shock	MIL-STD-202 Method 107, Test Condition B
Durability	5,000 Cycles min. MDCX
	500 Cycles min. Size 22 Standard Signal 100,000 Cycles min. Hyperboloid Contacts

Materials and Finishes

Center MDCX Contacts	Brass per ASTM B16, Au plated per ASTM B488, Type 3, Class 1.25
Female MDCX Outer Contacts	UNS 17300 Be Cu per ASTM 196 or 197, Au per ASTM B488 Type 3, Class 1.25
Male MDCX Outer Contacts	Brass per ASTM B16, Au plated per ASTM B488, Type 3 Class 1.25
Insulators	PTFE per ASTM D-170 and ultem 1000 resin
Plug and Receptacle Outer Shell	Brass per ASTM-B16/B16M, C36000 Electroless nickel plate per SAE-MAS-C-26074, Class 1

Contact

Local Sales Representative

SABRITEC

17550 Gillette Ave

Irvine, California 92614

Tel: (949) 250-1244 Fax: (949) 250-1009

customerservice@sabritec.com

http://www.sabritec.com

DOC#MDCXS05