

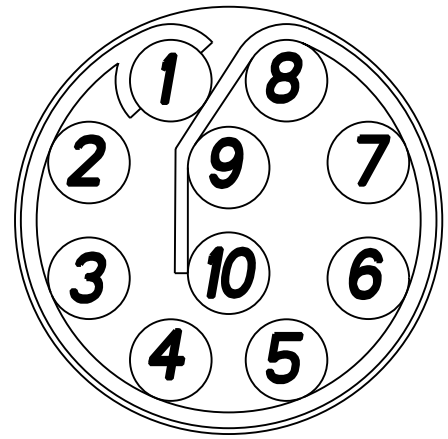
4

3

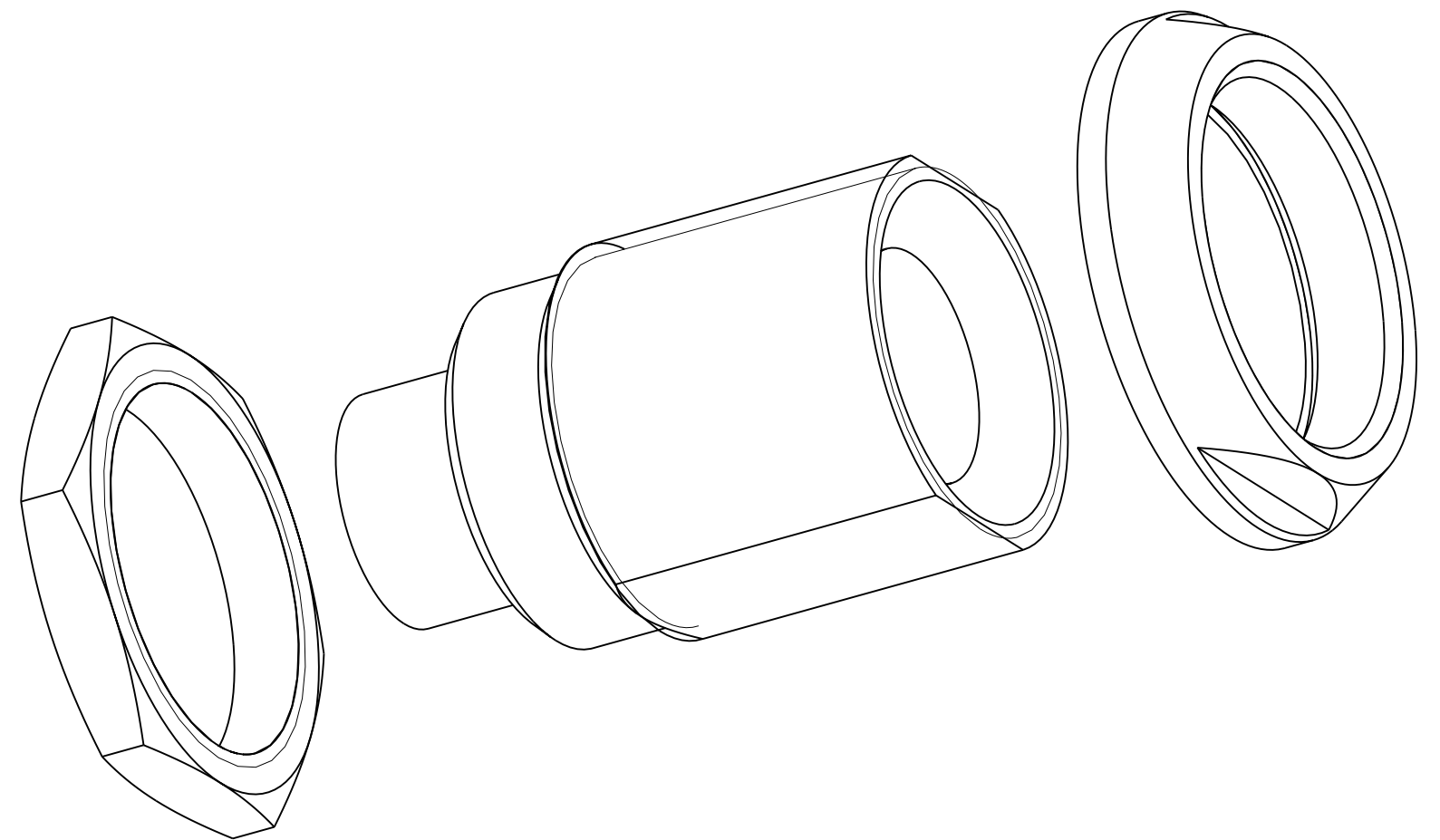
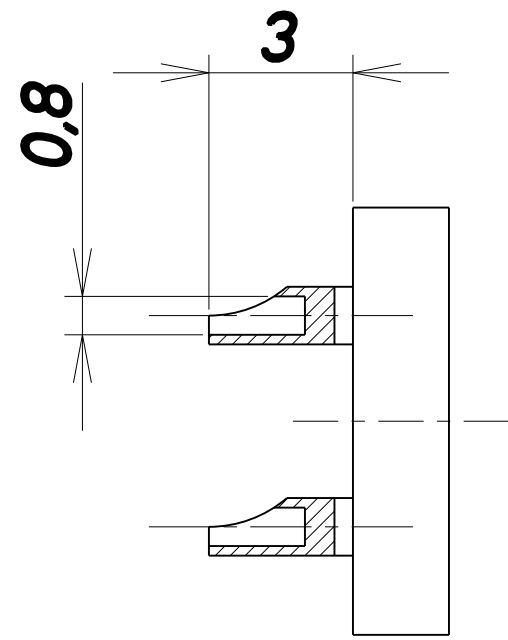
2

1

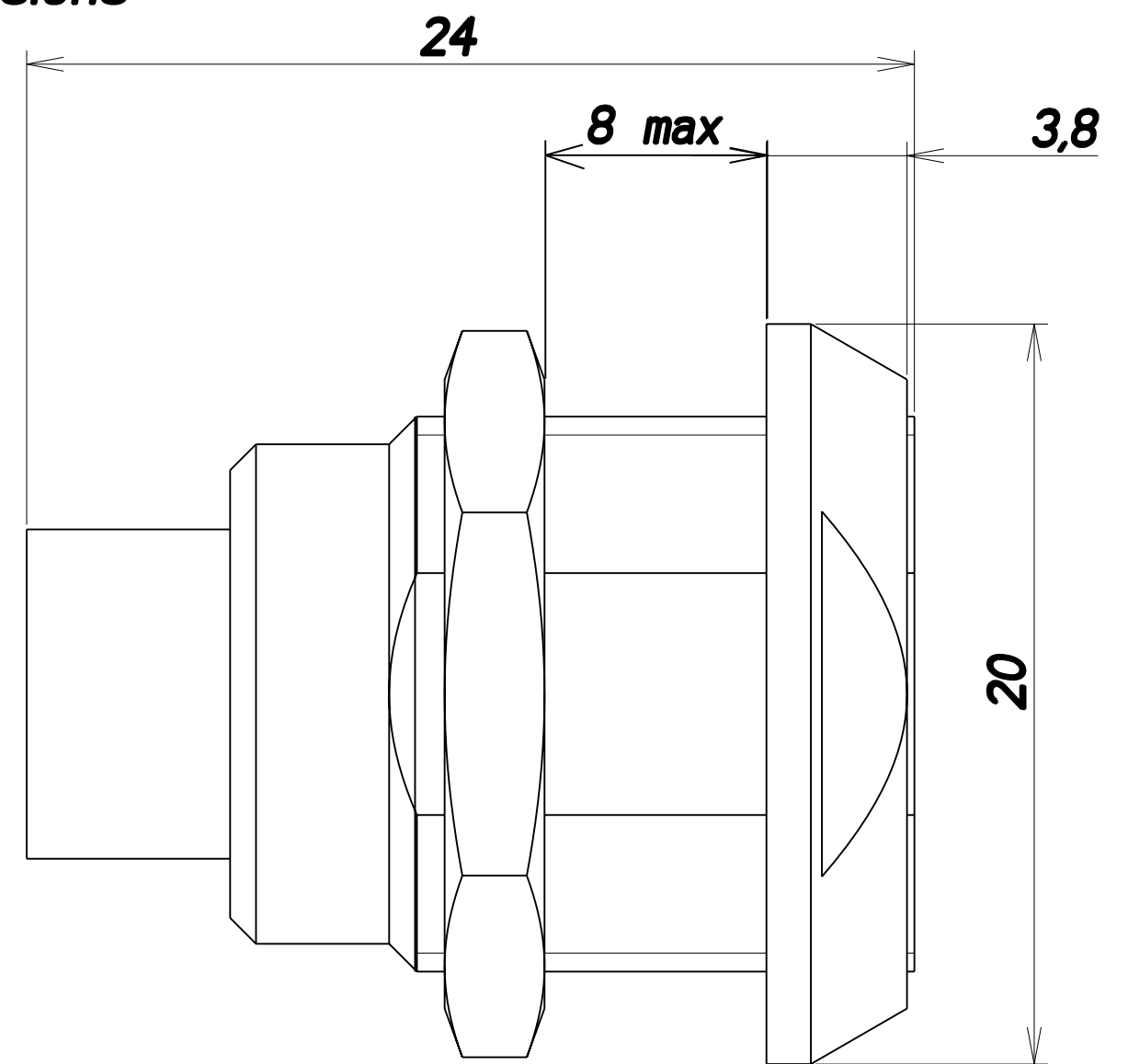
Insulator Viewed from wiring side



10 pins x 0.9 mm



Dimensions (mm)



DOUBLE NUT RECEPTACLE size 2

REV	DESCRIPTION	BY DATE	CHKD DATE	SHEET No.	ZONE
		xxx mm-dd-yy	xxx mm-dd-yy		

ANY CHANGES TO THIS DRAWING WILL AFFECT DIMENSIONAL ANALYSIS, DATA DRAWING LE X

LINEAR MEASURE: $\frac{mm}{(INCH)}$ mm (INCH)

THIRD ANGLE PROJECTION

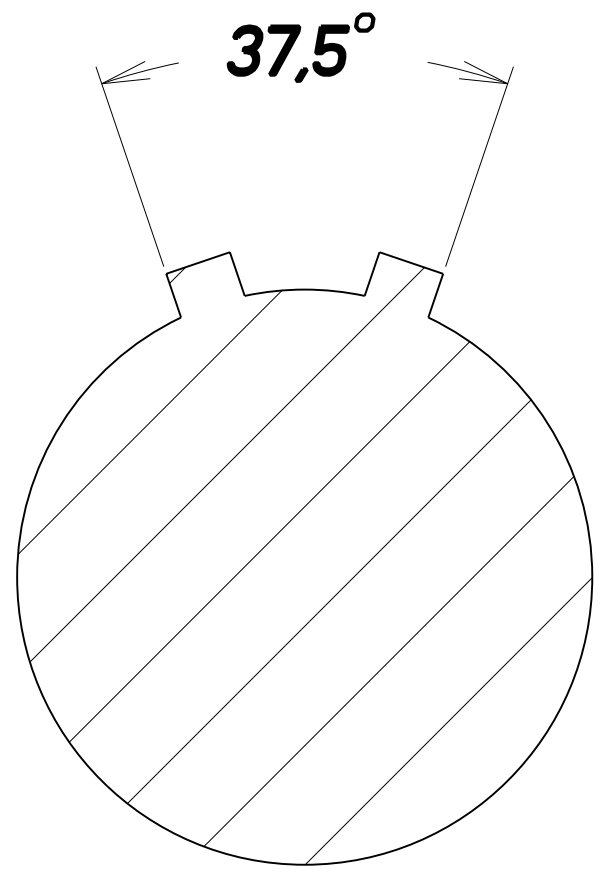
TOLERANCES UNLESS OTHERWISE SPECIFIED

No. OF PLACES	MM [in]
ONE PLACE	$\pm 0.5 [\pm .02]$
TWO PLACES	$\pm 0.13 [\pm .005]$
THREE PLACES	$\pm 0.13 [\pm .005]$
ANGLES	$\pm 1^\circ$

DRAWING TITLE			
DOUBLE NUT RECEPTACLE SIZE 2			
CAT NO. JBX-EA-2J-10-MS-SDS			
DWG RELEASED TO CENTRAL FILE: X			
CAGE NO: --	DON: --	PC: --	SIZE: C
DRAWN: JAB		12-12-00	
CHKD: RC		12-12-00	
DSGN: --		--	
MFG: --		--	
QC: --		--	
DRAWING SCALE: 4/1			
DRAWING NO.		REV	
JBX-EA-2J-10-MS-SDS		0	
www.fciconnect.com			
1 OF 1			

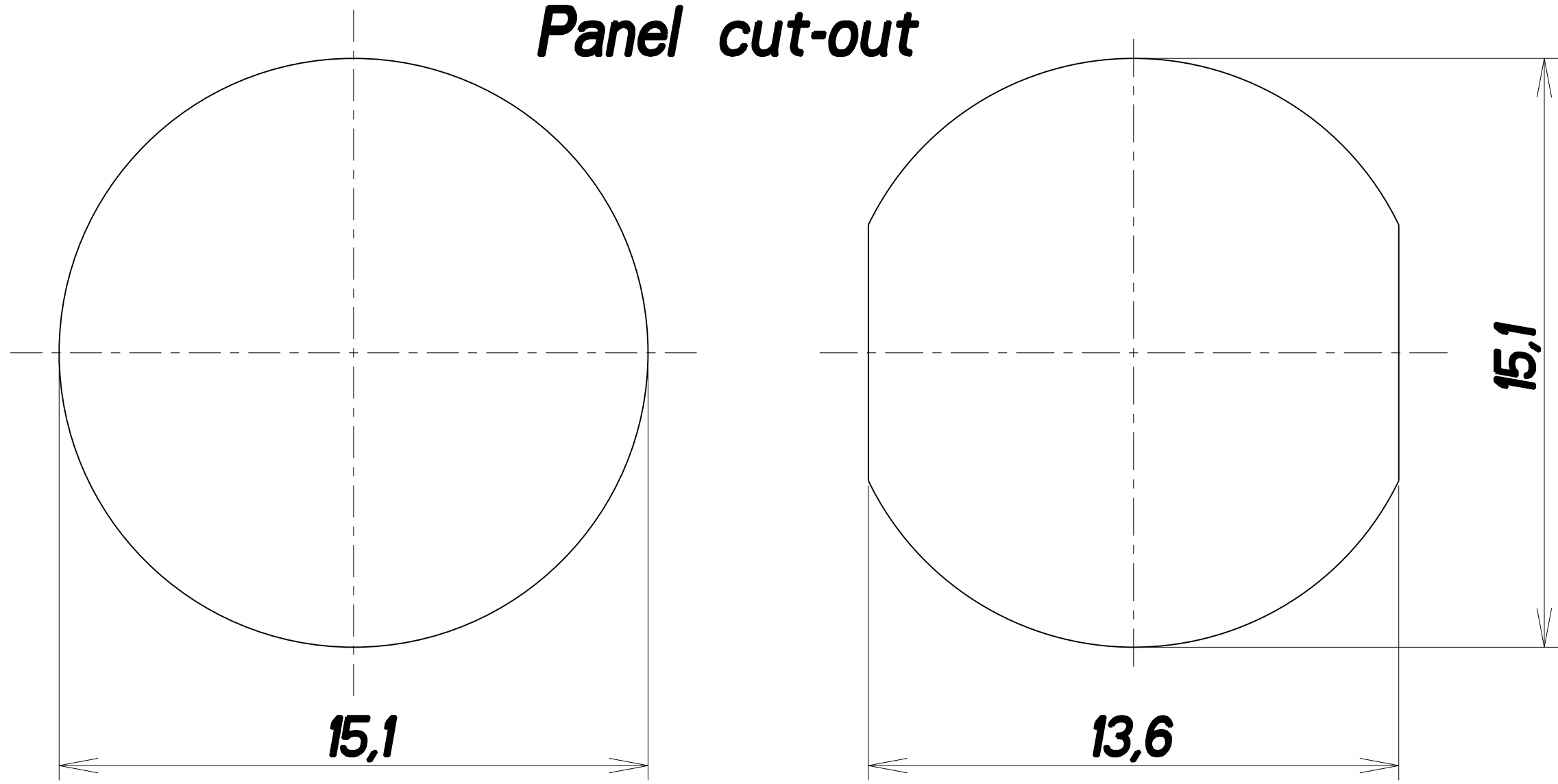


INTERCONNECTIONS



Keying

Panel cut-out



4

3

2

1

THIS DRAWING IS A CONTROLLED DOCUMENT FOR FCI INTERCONNECTIONS. IT IS SUBJECT TO CHANGE AND THE CONTROLLING DOCUMENT CONTROL CENTER SHOULD BE CONTACTED FOR THE LATEST REVISION.

THIS INFORMATION IS CONFIDENTIAL AND DISCLOSED TO YOU ON CONDITION THAT NO FURTHER DISCLOSURE IS MADE BY YOU TO OTHER FCI PERSONNEL WITHOUT WRITTEN AUTHORIZATION FROM FCI INTERCONNECTIONS, YORK, PA.

D

C

B

A