

### With fuse holders and voltage selectors

A range of compact IEC 60320 inlet power entry modules combining 1 or 2 fuse holders for US and IEC fuses. Plus input voltage selector with 4 possible combinations. These features ensure the range is ideally suited for manufacturers of business, consumer and medical equipment for international markets.

- Current ratings from 1A to 6A
- Integral single or twin fuse holder
- Voltage selector
- Snap-in or screw mount versions
- Medical versions available

### Mechanical Specifications

**Manufacture:** metal case with built-in power line connector according to IEC 60320, 1 (F.MF) or 2 (F.MG) fuse holders for fuses 5 x 20mm (IEC) or 6.3 x 32mm (US), voltage selector with 4 possible combinations; internal components sealed with self-extinguishing resin.

**Connections:** IEC 60320 - Standard plug (INPUT);  
faston 6.3 x 0.5mm or 2.8 x 0.5mm for filter output terminals;  
faston 2.8 x 0.5mm for fuse terminals;  
faston 2.8 x 0.5mm for voltage selector terminals;  
ground terminal connected to case.

### Electrical Specifications

**Rated voltage ( $V_R$ ):** max 250V, 50/60Hz

**Rated current ( $I_R$ ):** referred to room temperature = 40°C

**Leakage current ( $I_L$ ):** at 220V, 50Hz, max value

**Voltage test ( $2s_s$ ):** line to ground 3000Vdc or 1800Vac  
line to line 1700Vdc

**Climatic category:** HPF (25/085/21);

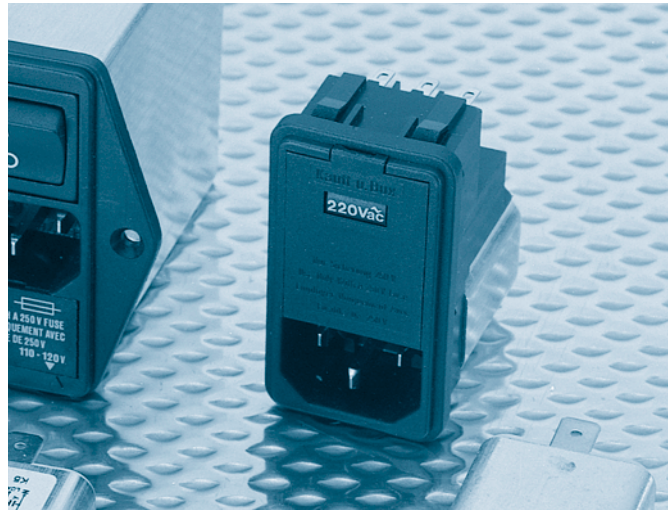
Temperature range: -25°C to +85°C

**Voltage selector:** 110-220-240Vac

100-120-220-240Vac

115-115-230-230Vac

110-220Vac



### Filter Range

(example pt no. - F.MF01A.01.01.FA)

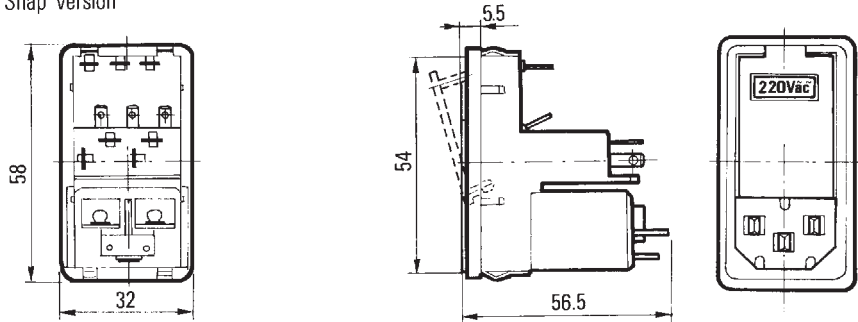
Code	$I_R$ (A)	L (mH)	Cx ( $\mu$ F)	Cy (pF)	$I_L$ (mA)	R (M $\Omega$ )
F.MF. 01A.	01.-	1	2 x 10	0.047	2 x 2500	2 x 0.23
	04.-				2 x 0.002	
	07.-				2 x 0.002	1
F.MG. 03A.	02.-	3	2 x 2.5	0.047	2 x 2500	2 x 0.23
	05.-				2 x 0.002	
	08.-				2 x 0.002	1
06A.	03.-	6	2 x 1	0.047	2 x 2500	2 x 0.23
	06.-				2 x 0.002	
	09.-				2 x 0.002	1

- A = Filter output terminals 2.8 x 0.5mm
- C = Filter output terminals 6.3 x 0.8mm
- F = Snap-in mounting
- G = Screw mounting
- 01 = fuse 5 x 20mm + voltage selector 110-220-240V~
- 02 = fuse 5 x 20mm + voltage selector 100-120-220-240V~
- 03 = fuse 5 x 20mm + voltage selector 115-115-230-230V~
- 08 = fuse 6.3 x 32mm + voltage selector 110-220-240V~
- 09 = fuse 6.3 x 32mm + voltage selector 100-120-220-240V~
- 10 = fuse 6.3 x 32mm + voltage selector 115-115-230-230V~
- 15 = fuse 5 x 20mm + voltage selector 110-220V~
- 16 = fuse 6.3 x 32mm + voltage selector 110-220V~
- 19 = fuse 5 x 20mm + voltage selector 100-120-220-230V~
- 20 = fuse 6.3 x 32mm + voltage selector 100-120-230-240V~
- 21 = fuse 5 x 20mm + voltage selector 100-120-230-240V~

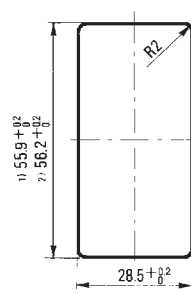
F = 1 fuse  
G = 2 fuses

## Dimensions (mm) and connections

Snap version



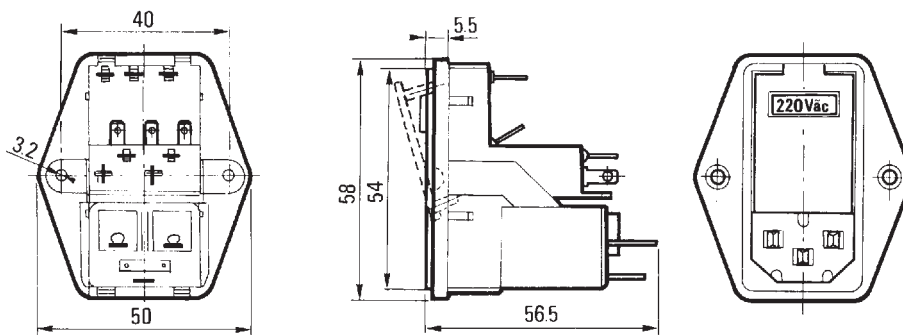
Snap version



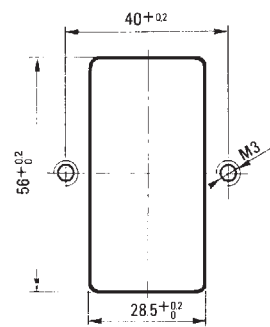
Thickness of mounting panels

- 1) 0.8-2.0 mm
- 2) 2.1-3.2 mm

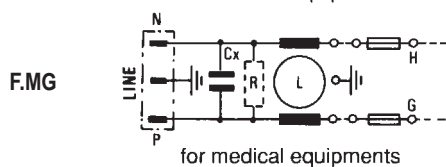
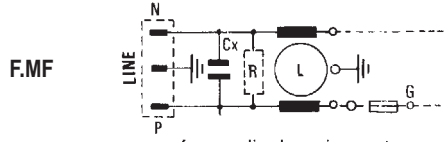
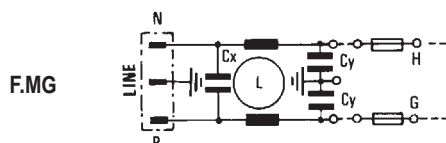
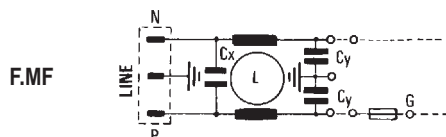
Screw version



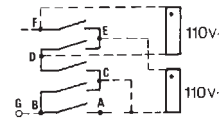
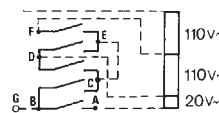
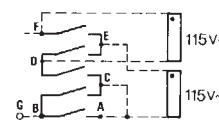
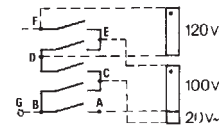
Screw version



## Circuit diagram



--- External Connections



--- External Connections

	100V~	120V~	220V~	240V~
F-E	o o	o o		
D-E			o o	o o
D-C	o o	o o		
B-C		o o	o o	o o
B-A	o o		o o	

	115V~	115V~	230V~	230V~
F-E	o o	o o		
D-E			o o	o o
D-C	o o	o o		
B-C		o o	o o	o o
B-A	o o		o o	

	110V~	220V~	240V~
F-E	o o		
D-E			
D-C	o o	o o	
B-C	o o	o o	o o
B-A			o o

	110V~	220V~
F-E	o o	
D-E		o o
D-C	o o	
B-C	o o	o o
B-A		o o

# IEC Inlet Filters

## F.MF-F.MG series

Insertion loss (typical): — Asymmetrical (line to ground) with Cy - - - Asymmetrical (line to ground) without Cy - - - Symmetrical (line to line)

