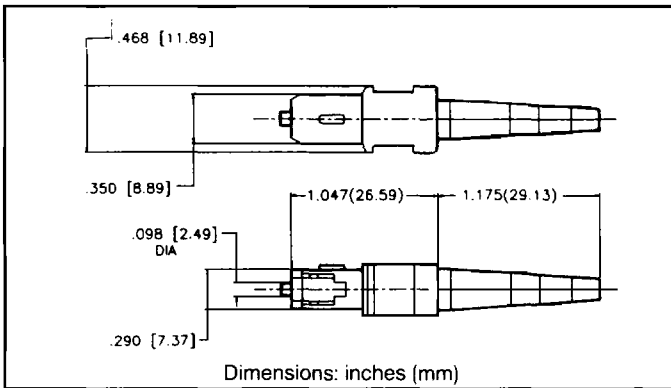
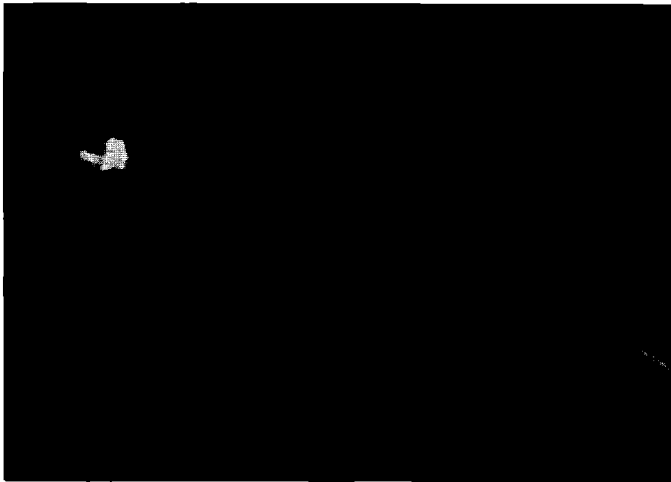


308 Series SC Fiber Optic Connectors



Methode 308 Series SC connector products are designed and manufactured to meet Japanese Industrial Standard (JIS) 5973 and EIA/TIA FOCIS 3 on SC dimensional conformity, intermateability, and optical performance. Methode's improved SC connector design features fewer parts for simple field or factory termination in less time. This Methode SC connector features a traditional grip housing and plug assembly. The connector grip housing accepts a duplex collar which positions two SC connector ferrules on 0.5" (12.7mm) centers. The duplex configuration is geared to ANSI "Fiber Channel" and "Low Cost" FDDI fiber interconnect applications. When used alone, the plug assembly is configured for high density "SC2" coupling applications.

308 Series SC connectors are installed using the Methode 900 Series SC/ST® termination kit. When used with Methode's "Super" PC hand polishing consumables, return loss performance of <-42 dB is routine.

Features

- Meets SC connector standards
- Pre-assembled plug body simplifies termination
- Pre-radiused ceramic ferrules configured for PC and "Super" PC polishing
- Single mode and multimode versions available
- Simplex and duplex styles available
- Polymer ferrules available for a variety of fiber sizes from 125 micron to 1.1mm cladding diameter
- Optional boot colors available: beige, gray and red (in addition to standard blue, black and yellow)
- Standard .178/.151" hex crimp
- Operating temperature -40 to +85° C
- Universal dust cover with lanyard
- Boot for 900 micron breakout fiber

Performance Characteristics

Ferrule Type (microns)	Fiber Size (microns)	Insertion Loss (dB)		Part Number*	
		Typical	Max. Increase (500 cycles)	Conventional	Posi-Latch
Ceramic, Zirconia (SM)	9/125	<0.2	<0.1	C3-002-1	C3-001-1
Ceramic, Zirconia (MM)	62.5/125	<0.2	<0.1	C3-002-3	C3-001-3
Polymer (MM)	125	<0.4	<0.1	D3-002-3	D3-001-3
Polymer (MM)	140	<0.4	<0.1	D3-002-5	D3-001-5
Polymer (MM)	230	<0.2	<0.1	D3-002-6	D3-001-6
Polymer (MM)	500	<0.2	<0.1	D3-002-7	D3-001-7
Polymer (MM)	1000	<0.2	<0.1	D3-002-8	D3-001-8

* Individually Packaged: for bulk packaging, add "-B" suffix to part number.

SC Connector Termination Kit, 220V	900-118-3014	"Super" PC Polishing Consumables Kit	900-118-9020
SC Connector Termination Kit, 110V	900-118-3010	(500 connectors)	
SC Connector Polishing Disk	900-118-9002	Consumables Replacement Kit	900-118-9017
SC Duplex Collar, Blue	308-107-3061	(100 connectors)	
SC Duplex Collar, Black	308-107-3062		

*220V - Europe, 110V - USA, Canada