



[View Cart ::](#) |

[Checkout ::](#)

BSD780 Series 1-LED Sunlight-Visible Clear Dome Lens Indicators

11/16" (17.5mm) Relampable Panel Mount LED Lamps

[1-LED, Dome Lens](#)

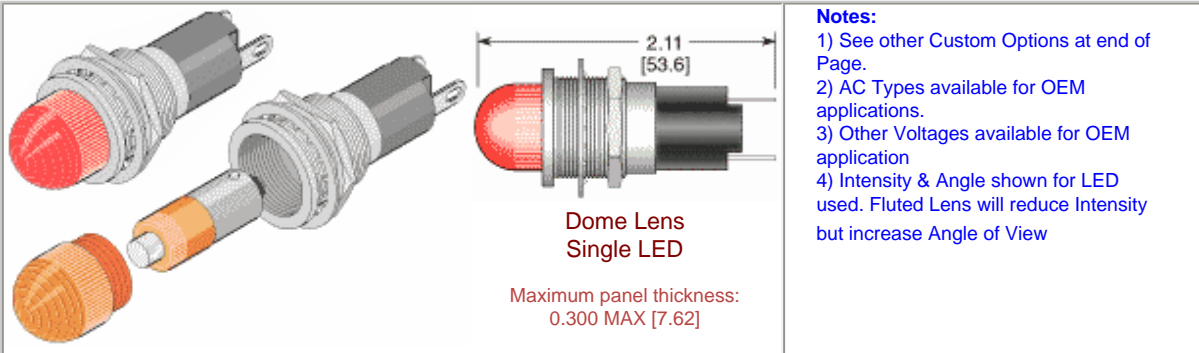
[7-LED, Dome Lens](#)

[1-LED, Flat Lens](#)

[7-LED, Flat Lens](#)

[\(See Special Notes\)](#)

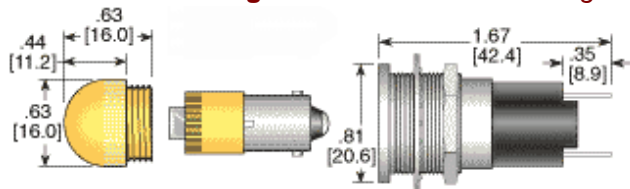
All dimensions in inches [mm]



Mark To Order	Part Number	Retail Price (Volume Discount Available)	Min. Order Qty	Input Volts (V)	LED Intensity I _v (mcd) typ	Current I _f (mA) typ	Wave Length (nm)	LED Full Angle
Ultra Red (660nm) (Super-Intensity 1-chip) GaAlAs Tinted-Clear Fluted Lens								
	BSD780-0UR-006V	\$17.95ea	5	5	120	18-20	660	120°
	BSD780-0UR-028B	\$17.95ea	5	24/28	90	12-15	660	120°
	BSD780-0UR-120A	\$17.95ea	5	120VAC	45	6-8	660	120°
	BSD780-0UR-130B	\$17.95ea	5	130VDC	45	6-8	660	120°
Super Orange (610nm) (Super-Intensity 1-chip) InGaAlP Tinted-Clear Fluted Lens								
	BSD780-0UO-006V	\$17.95ea	5	5	266	18-20	610	120°
	BSD780-0UO-028B	\$17.95ea	5	24/28	200	12-15	610	120°
	BSD780-0UO-120A	\$17.95ea	5	120VAC	100	6-8	610	120°
	BSD780-0UO-130B	\$17.95ea	5	130VDC	100	6-8	610	120°
Super Yellow (585nm) (Super-Intensity 1-chip) InGaAlP Tinted-Clear Fluted Lens								
	BSD780-0UY-006V	\$17.95ea	5	5	250	18-20	595	120°
	BSD780-0UY-028B	\$17.95ea	5	24/28	187	12-15	595	120°
	BSD780-0UY-120A	\$17.95ea	5	120VAC	94	6-8	595	120°
	BSD780-0UY-130B	\$17.95ea	5	130VDC	94	6-8	595	120°
Super Incand. White (Super-Intensity 1-chip) (3000k) SiC/GaN Water-Clear Fluted Lens								
	BSD780-2IW-006V	\$19.95ea	5	5	133	15-20	3000K	120°
	BSD780-2IW-028B	\$19.95ea	5	24/28	100	12-15	3000K	120°
	BSD780-2IW-120A	\$19.95ea	5	120VAC	50	6-8	3000K	120°
	BSD780-2IW-130B	\$19.95ea	5	130VDC	50	6-8	3000K	120°
Super Cool White (Super-Intensity 1-chip) (8000k) SiC/GaN Water-Clear Fluted Lens								
	BSD780-0CW-006V	\$19.95ea	5	5	400	15-20	8000K	120°
	BSD780-0CW-028B	\$19.95ea	5	24/28	300	12-15	8000K	120°

BSD780-0CW-120A	\$19.95ea	5	120VAC	150	6-8	8000K	120°	
BSD780-0CW-130B	\$19.95ea	5	130VDC	150	6-8	8000K	120°	
Super A.Green (Super-Intensity 1-chip) (525nm) SiC/GaN Tinted-Clear Fluted Lens								
BSD780-0AG-006V	\$19.95ea	5	5	666	15-20	525	120°	
BSD780-0AG-028B	\$19.95ea	5	24/28	500	12-15	525	120°	
BSD780-0AG-120A	\$19.95ea	5	120VAC	250	6-8	525	120°	
BSD780-0AG-130B	\$19.95ea	5	130VDC	250	6-8	525	120°	
Super Blue (Super-Intensity 1-chip) (470nm) SiC/GaN Tinted-Clear Fluted Lens								
BSD780-0PB-006V	\$19.95ea	5	5	233	15-20	470	120°	
BSD780-0PB-028B	\$19.95ea	5	24/28	175	12-15	470	120°	
BSD780-0PB-120A	\$19.95ea	5	120VAC	87	6-8	470	120°	
BSD780-0PB-130B	\$19.95ea	5	130VDC	87	6-8	470	120°	

Standard Configuration for Online Ordering



Call factory to order these components or options

Lens Cap
LCD780-XXX
(Order at bottom of page)

Lamp
BF321-0XX
(Go to lamp order page)
[UR,UO](#),
[UY,CW,IW](#) [UG,AG](#)
[PB](#)

Holder
BS780 (Mil# 76/1)
\$9.50ea (Min Order Qty 5)

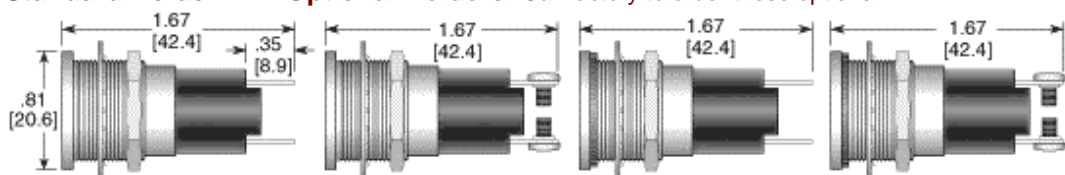
Watertight Options
for Lens Cap & Holder

LCD780W-XXX
\$2.00ea (Min Order Qty 5)
(Watertight)
Call factory to order watertight lens cap

BS780-WP
\$10.45ea (Min Order Qty 5)
(Watertight)
See Below

Standard Holder

Optional Holders Call factory to order these options



HLDR-BS780
Silver Body
Spade Terminals

BS780S
Silver Body
Screw Terminals

HLDR-BS780-WP
Silver Body
Watertight
Spade Terminals

BS780S-WP
Silver Body
Watertight
Screw Terminals

Black Body Options (not illustrated)

BS780B
Black Body
Spade Terminals

BS780BS
Black Body
Screw Terminals

BS780BS-WP
Black Body
Watertight
Screw Terminals

Dome Lens Caps

To order lens caps only:
Choose either a:
Water clear lens cap,
Diffused white lens cap, or
Lens cap with its color matching the lamp's color



(Click here for flat-top cylindrical lenses)

Mark To Order	Standard Dome Lens	Retail Price	Min Order Qty	Lens Type Color
	LENS-LCD780-CRF	\$0.60ea	10	Clear Red
	LENS-LCD780-CAF	\$0.60ea	10	Clear Orange
	LENS-LCD780-CYF	\$0.60ea	10	Clear Yellow
	LENS-LCD780-CGF	\$0.60ea	10	Clear Green
	LENS-LCD780-CWF	\$0.60ea	10	Water Clear
	LENS-LCD780-TWF	\$0.60ea	10	Diffused White

Special Notes for Custom Configurations:

- 1) For custom OEM large quantity applications, other angles of illumination available.
- 2) For custom OEM large quantity applications for reducing battery drain, low-current versions available.
- 3) For custom OEM large quantity applications, New Technology Sunlight Visible wide angle Multichips available
- 4) For custom OEM large quantity applications, Standard Intensity wide angle Multichips available
- 5) For custom OEM large quantity applications, 2-Terminal Type Bi-Colors available

23105 Kashiwa Ct, Torrance, CA 90505 - PH: (800) 579-4875/(310) 534-1505 - FAX: (310) 534-1424
© Copyright 1997-2003 LEDtronics, Inc. All Rights Reserved - Contact Webmaster@ledtronics.com

i2 Technologies US, Inc.

HTML Pages converted to PDF Document

This document contain component information from the manufacturer's website which are not available in a revision controlled document from the manufacturer. To facilitate the addition of these parts into the Electronics Database, we are converting the HTML pages related to that part, from the manufacturer's website into Adobe PDF format. The contents of this document is based on the information provided on the manufacturer's website, therefore the information may have been changed by the manufacturer since this was created.

