

Power Cord with IEC Connector C13, Angled

new



C13



70 °C

**Description**

Power Supply Cord / Interconnection Cord,  
- Protection class I, Pin temperature 70 °C, Cable

**Approvals**

- UL License Number: E45116  
- CSA License Number: 27325

**References**

[General Product Information](#)

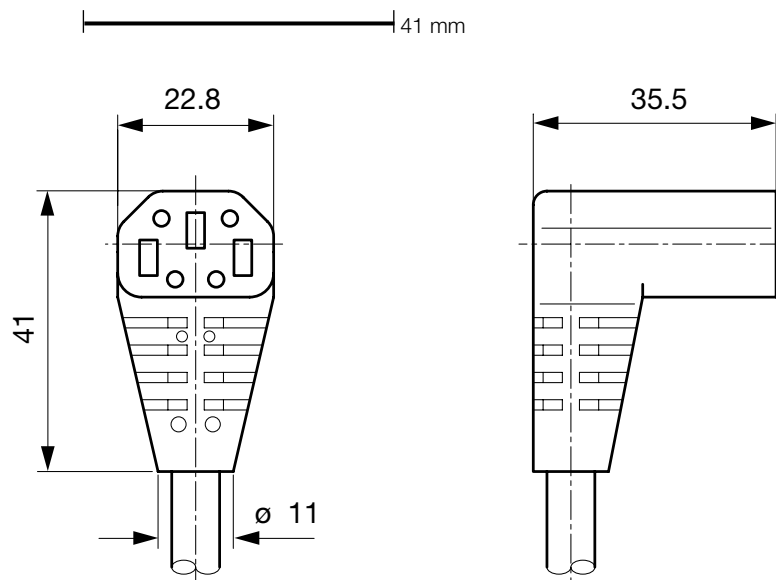
**Weblinks**

[Approvals](#), [RoHS](#), [CHINA-RoHS](#), [Mating Connectors](#), [e-Store](#),  
[Distributor-Stock-Check](#), [Accessories](#)

**Technical Data**

|                           |  |
|---------------------------|--|
| Ratings IEC               | 10A / 250VAC; 50Hz   |
| Ratings UL/CSA            | 10A / 250VAC; 60Hz   |
| Dielectric Strength       | > 3 kVDC between L-N<br>> 1.5 kVAC between L/N-PE<br>(1 min/50Hz)    |
| Allowable Operation Temp. | -25 °C to 70 °C  |
| Degree of Protection      | from front side IP 20 acc. to IEC 60529                              |
| Protection Class          | Suitable for appliances with protection<br>class 1 acc. to IEC 61140 |
| Terminal                  | moulded  |
| Material: Housing         | PVC, black or grey   |

|           |   |
|-----------|---|
| Connector | C13 acc. to IEC/EN 60320-2-2<br>UL 498, CSA C22.2 no. 42 (for cold<br>conditions) pin-temperature 70 °C, 10A,<br>Protection Class 1 |
|-----------|---|

**Dimensions**

## Config. Code

Product Configurator

Type - R - 3012 - D - Length

The characters are placeholders for the correspondingly keys of selections from the key tables.  
Typ is placed for the connector type on the second end, length is the cord length in mm.

Type - R - 3012 - D - Length = Cord end 2

### Cord end 2

zzzz, P186, 0607, 0608, 0609, 1140, 2343, 422U, 4321, 4370, 4390

Type - R - 3012 - D - Length = cord type

### cord type

### Configuration key

| cord type         | Configuration key |
|-------------------|-------------------|
| H03VV-F 3G0,75mm2 | C                 |
| H05VV-F 3G0,75mm2 | G                 |
| H05VV-F 3G1,0mm2  | I                 |
| SVT 3x18AWG       | N                 |
| SJT 3x18AWG       | P                 |

Cord definition is detailed in general product information XXX

Type - R - 3012 - D - Length = Color

### Color

### Configuration key

|                       |   |
|-----------------------|---|
| jet black; RAL9005    | A |
| silver grey; RAL7001  | B |
| standard color: black |   |

Type - R - 3012 - D - Length = Cord length

### Cord length

zzzz, 000500, 001000, 001500, 002000, 002500, 003000, 005000

Cord length in mm

## Packaging unit

100 Pcs

## Mating Inlets/Plugs

### Category / Description

#### Appliance Inlet Overview complete



|   |      |
|---|------|
| IEC Appliance Inlet C14, Snap-in Mounting, Front Side, Solder or Quick-connect Terminal             | 0711 |
| IEC Appliance Inlet C14, Screw-on Mounting, Rear Side, PCB Terminal                                 | 1001 |
| IEC Appliance Inlet C18, Screw-on Mounting, Rear Side, PCB Terminal                                 | 1005 |
| IEC Appliance Inlet C14, Snap-in Mounting, Front Side, Solder or Quick-connect or Screw-on Terminal | 6010 |
| IEC Appliance Inlet C18, Snap-in Mounting, Front Side, Solder or Quick-connect or Screw-on Terminal | 6015 |

Appliance Inlet further types to 3012

...

#### Distribution Unit Overview complete



|  |      |
|--|------|
| Distribution Unit for Snap-in Mounting with 1 IEC Appliance Inlet C14 and 1 Appliance Outlet F                 | 0712 |
| Distribution Unit with 1 IEC Appliance Inlet C14 or Power Cord, 4 IEC Appliance Outlets F and Extra Components | 4740 |
| Distribution Unit with 1 IEC Appliance Inlet C14 and 2 Appliance Outlets F, Shuttered                          | 4741 |
| Distribution Unit with 1 IEC Appliance Inlet C14 and 4 Appliance Outlets F                                     | 4747 |

Distribution Unit further types to 3012

#### Interconnection Cord Overview complete



|  |      |
|--|------|
| Interconnection Cord with IEC Plug E, Angled   | 0607 |
| Interconnection Cord with IEC Plug E, Angled   | 0608 |
| Interconnection Cord with IEC Plug E, Straight | 0609 |
| Interconnection Cord with IEC Plug G, Angled   | 607B |
| Interconnection Cord with IEC Plug G, Angled   | 608B |

Interconnection Cord further types to 3012

...

#### Plug Overview complete



|   |      |
|---|------|
| IEC Plug E, Cord Connector (Rewireable), Straight, max. cable Diameter 8.5 mm | 4732 |
| IEC Plug E, Cord Connector (Rewireable), Angled, max. Cable Diameter 10 mm    | 4733 |
| IEC Plug E, Cord Connector (Rewireable), Straight, max. Cable Diameter 10 mm  | 4735 |
| IEC Plug E, Cord Connector (Rewireable), Angled, max. Cable Diameter 10 mm    | 4736 |
| IEC Plug E, Cord Connector (Rewireable), Straight                             | 9009 |

Plug further types to 3012

...

## Category / Description

[Power Entry Module Overview complete](#)

|   |      |
|---|------|
| IEC Appliance Inlet C14 or C18 with Fuseholder 1-pole       | 1062 |
| IEC Appliance Inlet C14 or C18 with Fuseholder 1- or 2-pole | 1064 |
| IEC Appliance Inlet C18 with Fuseholder 1-pole              | 1065 |
| IEC Appliance Inlet C18 with Fuseholder 1- or 2-pole        | 1066 |
| IEC Appliance Inlet C14 with Fuseholder 1- or 2-pole        | 1092 |
| <a href="#">Power Entry Module further types to 3012</a>    | ...  |

[Power Entry Module with line filter Overview complete](#)

|   |        |
|---|--------|
| IEC Appliance Inlet C14 with Filter                                       | 5110   |
| IEC Appliance Inlet C14 with Filter, Circuit Breaker TA45                 | 5145   |
| IEC Appliance Inlet C14 with Filter, Fuseholder 1-pole                    | 5200   |
| IEC Appliance Inlet C14 with Filter, Fuseholder 1- or 2-pole              | 5220   |
| IEC Appliance Inlet C14 with Filter, Fuseholder 2-pole                    | 8843-8 |
| <a href="#">Power Entry Module with line filter further types to 3012</a> | ...    |