

Fig. 1

- Series 351 Interconnect Header Strips come in three lengths with 0,46 dia. pluggab lesolder tails at one end and 0,64 dia. pins at the other. (M-M# 5503, 5504 or 5505 see page 172 for details).
- 0,46 pluggable solder tails are available at both ends, see series:
 351...009
 351...010
 351...011
 (using M-M# 5509, 5510, 5511 pins respectively, see page 170 & 172 for details).



Ordering Information

Fig. 1	Series 351...003 0,46 / 0,64 Solder Tails
	351-XX-1__-00-003000 Specify # of pins → 01-64
Fig. 2	Series 351...009 0,46 / 0,46 Solder Tails
	351-XX-1__-00-009000 Specify # of pins → 01-64
Fig. 3	Series 351...004 0,46 / 0,64 Solder Tails
	351-XX-1__-00-004000 Specify # of pins → 01-64
Fig. 3	Series 351...010 0,46 / 0,46 Solder Tails
	351-XX-1__-00-010000 Specify # of pins → 01-64
Fig. 3	Series 351...005 0,46 / 0,64 Solder Tails
	351-XX-1__-00-005000 Specify # of pins → 01-64
Fig. 3	Series 351...011 0,46 / 0,46 Solder Tails
	351-XX-1__-00-011000 Specify # of pins → 01-64

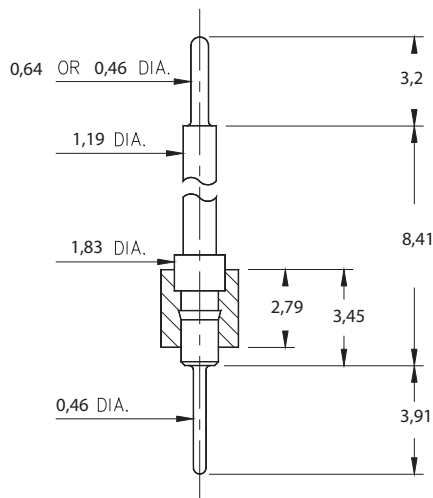


Fig. 2

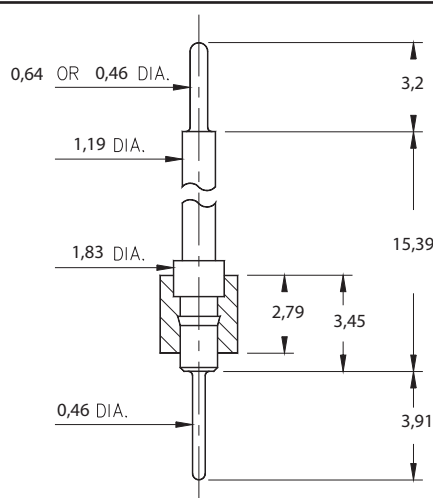


Fig. 3

XX=Plating Code
See Below

For RoHS compliance, select \diamond plating code.
For the gold option (XX=10) also change part number from 351-XX-1XX-00-0XXQ00 to 351-10-1XX-00-0XX100



SPECIFY PLATING CODE XX=	10 \diamond	90	40 \diamond	
Pin Plating	0,25 μ m Au	5,08 μ m Sn/Pb	5,08 μ m Sn	