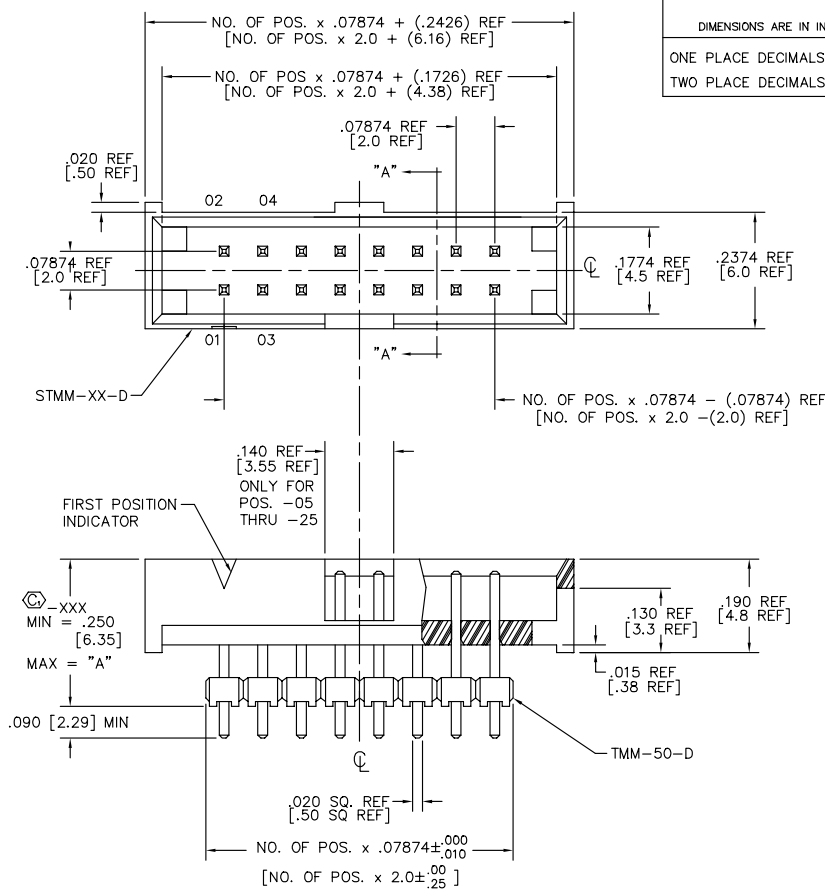


REV. L



UNLESS OTHERWISE NOTED TOLERANCES ARE: ANGLES ± 1°

ONE PLACE DECIMALS: ± .1 [3] THREE PLACE DECIMALS: ± .005 [13]

TWO PLACE DECIMALS: ± .01 [3] FOUR PLACE DECIMALS: ± .0020 [051]

TITLE: ZSTMM ASSEMBLY DWG NO: ZSTMM-1XX-XX-XX-D-XXX-XX SHEET 1 OF 1

ZSTMM-1XX-XX-XX-D-XXX-XX

NO. OF POSITIONS: 03, 04, 05, 06, 07, 08, 10, 11, 12, 13, 15, 16, 17, 19, 20, 22, 25

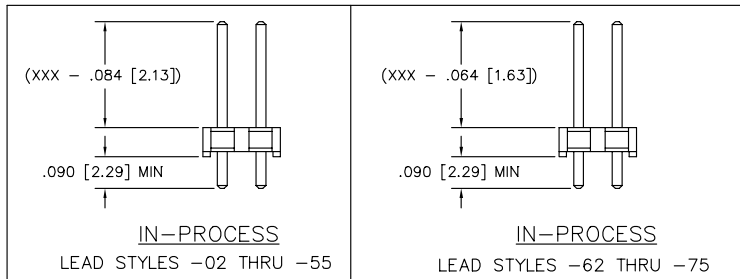
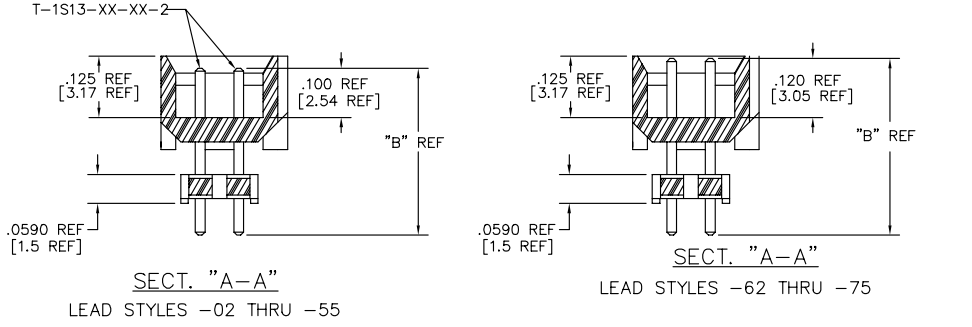
POLARIZED OPTION: XX = PIN NO. TO BE OMITTED

BODY HEIGHT: -XXX MIN = .250 [6.35] MAX = "A" (SEE TABLE 1)

ROW SPECIFICATION: -D: DOUBLE

TERMINAL STYLE: LEAD STYLES -02 THRU -55 ARE STANDARD (.100 POST HEIGHT), LEAD STYLES -62 THRU -75 ARE FOR MATING WITH TCSD ONLY (.120 [3.05] POST). (SEE TABLE 1)

PLATING SPECIFICATIONS: -G: GOLD (USE T-1S13-XX-G-2) -T: TIN (USE T-1S13-XX-T-2) -S: SELECTIVE GOLD (USE T-1S13-XX-S-2) -F: FLASH SELECTIVE GOLD (USE T-1S13-XX-F-2) -H: HEAVY GOLD (USE T-1S13-XX-H-2) -P: GOLD FLASHED PALLADIUM NICKEL (USE T-1S13-XX-P-2) -TM: MATTE TIN (USE T-1S13-XX-T-2) -FM: FLASH SELECTIVE GOLD/MATTE TIN TAIL (USE T-1S13-XX-F-2) -SM: SELECTIVE GOLD/MATTE TIN TAIL (USE T-1S13-XX-S-2)



- NOTES:
1. MAX PIN ROTATION IN BODY TO BE 2°.
 2. PUSHOUT FORCE TO BE 1 lb. MIN.
 3. Ⓢ REPRESENTS CRITICAL DIMS. FOR STATISTICAL PROCESS CONTROL.
 4. ALL DIMS APPEARING IN [] ARE IN MILLIMETERS.

TABLE 1

LEAD STYLE	TERMINAL	"A"	"B"	LEAD STYLE	TERMINAL	"A"	"B"
-02	T-1S13-02-XX-2	.312 [7.92]	.377 [9.58]	-62	T-1S13-05-XX-2	.312 [7.92]	.397 [10.08]
-03	T-1S13-03-XX-2	.470 [11.94]	.535 [13.59]	-63	T-1S13-06-XX-2	.470 [11.94]	.555 [14.10]
-05	T-1S13-05-XX-2	.332 [8.43]	.397 [10.08]	-65	T-1S13-19-XX-2	.328 [8.33]	.413 [10.49]
-06	T-1S13-06-XX-2	.490 [12.45]	.555 [14.1]	-66	T-1S13-09-XX-2	.509 [12.93]	.594 [15.09]
-55	T-1S13-20-XX-2	.258 [6.55]	.323 [8.2]	-69	T-1S13-14-XX-2	.529 [13.44]	.614 [15.60]
-09	T-1S13-09-XX-2	.529 [13.4]	.594 [15.1]	-70	T-1S13-17-XX-2	.608 [15.44]	.693 [17.60]
-10	T-1S13-10-XX-2	.608 [15.4]	.673 [17.1]	-71	T-1S13-12-XX-2	.745 [18.92]	.830 [21.08]
-11	T-1S13-11-XX-2	.686 [17.4]	.751 [19.1]	-72	T-1S13-18-XX-2	.766 [19.45]	.851 [21.62]
-12	T-1S13-12-XX-2	.765 [19.4]	.830 [21.1]	-73	T-1S13-08-XX-2	.391 [9.93]	.476 [12.09]
-13	T-1S13-13-XX-2	.391 [9.9]	.456 [11.6]	-74	T-1S13-10-XX-2	.588 [14.93]	.673 [17.09]
-14	T-1S13-14-XX-2	.549 [13.9]	.614 [15.6]	-75	T-1S13-02-XX-2	.292 [7.42]	.377 [9.58]

PROPRIETARY NOTE
THIS DOCUMENT CONTAINS INFORMATION CONFIDENTIAL AND PROPRIETARY TO SAMTEC INC. AND SHALL NOT BE REPRODUCED OR TRANSMITTED TO OTHER DOCUMENTS OR DISCLOSED TO OTHERS OR USED FOR ANY PURPOSE OTHER THAN THAT FOR WHICH IT WAS OBTAINED WITHOUT THE EXPRESSED WRITTEN CONSENT OF SAMTEC INC.

PLOT SCALE: 1 = .2

samtec MISC\MKTG ZSTMMMK

750 PARK EAST BLVD. NEW ALBANY, INDIANA 47150
PHONE (812) 944-6733 P.O. BOX 1147
CODE 55322

MADE BY: BRYANT 7-8-92 ENGINEER APPROVAL: DEM
CHECKED BY: ECKERT

ZSTMM-1XX-XX-XX-D-XXX-XX SHEET 1 OF 1