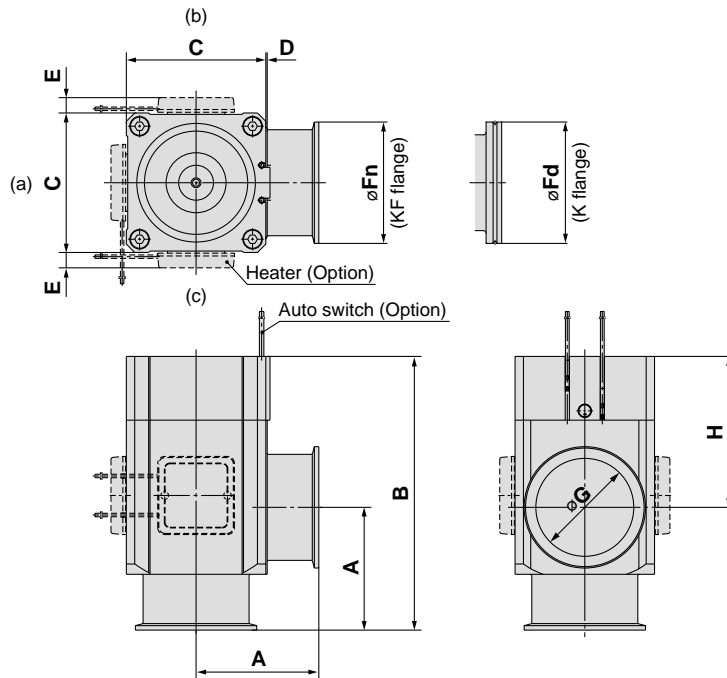


Dimensions

XLA/Air operated



Model	A	B	C	D	E ^{Note 1)}	F _n	F _d	G	H
XLA-16	40	103	38	1	—	30	—	17	40
XLA-25	50	113	48	1	12	40	—	26	39
XLA-40	65	158	66	2	11	55	—	41	63
XLA-50	70	170	79	2	11	75	—	52	68
XLA-63	88	196	100	3	11	87	95	70	69
XLA-80	90	235	117	3	11	114	110	83	96

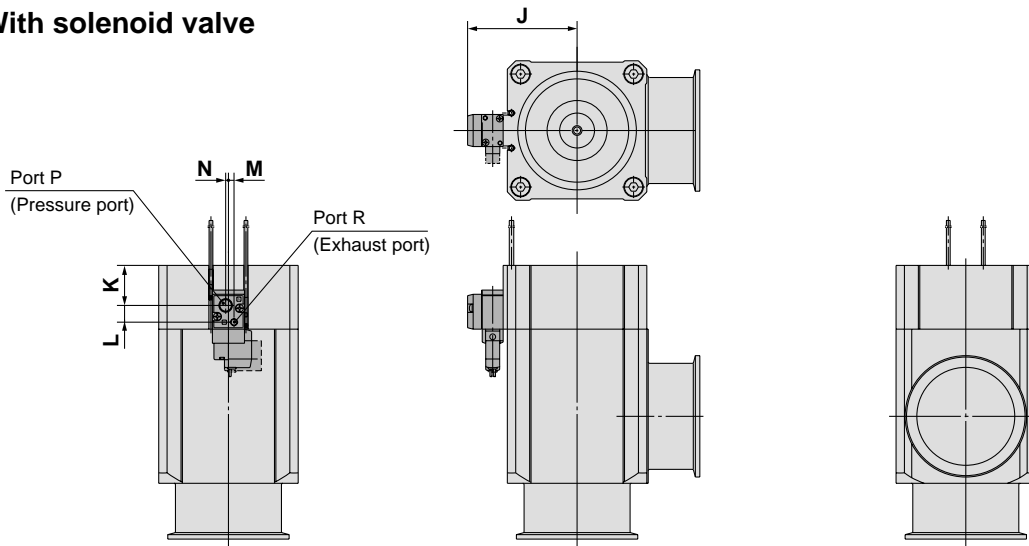
Note 1) Dimension E applies when heater option is included. (Lead wire length: approx. 1 m)

Note 2) (a), (b) and (c) in the above drawing indicate heater mounting positions.

Moreover, heater mounting positions will differ depending on the type of heater.

For further details, refer to mounting positions under "Replacement Heaters" on the back of page 9.

XLAV/With solenoid valve



Model	J	K	L	M	N
XLAV-16	35.5	13.4	8.5	2.7	3
XLAV-25	40.5	14.9	8.5	2.7	3
XLAV-40	50.5	22.7	8.5	2.7	3

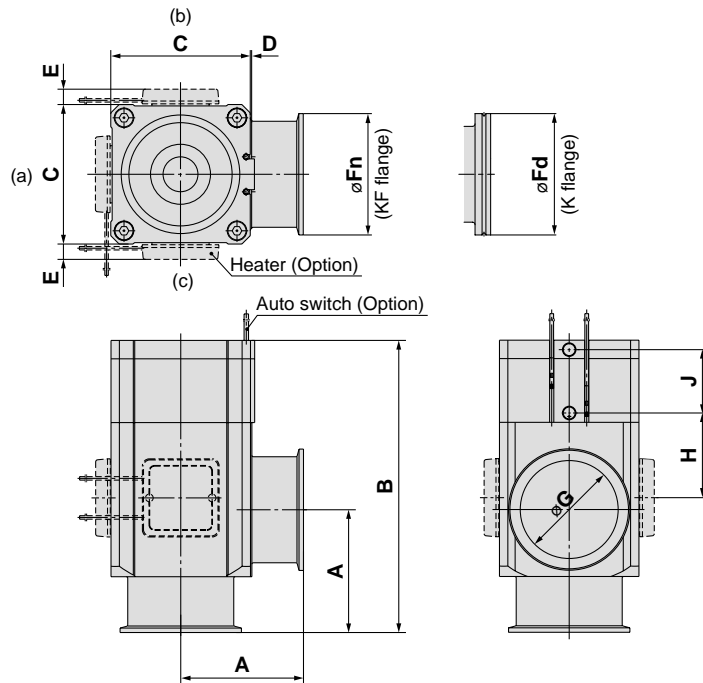
Model	J	K	L	M	N
XLAV-50	57	25.7	8.5	2.7	3
XLAV-63	78.5	28.7	12	4	2
XLAV-80	87	38.7	12	4	2

* Other dimensions are the same as the XLA.

Note) For further details on solenoid valves, refer to the SMC solenoid valve catalog "SYJ300/500/700" (ES11-86).

Dimensions

XLC/Air operated



Model	A	B	C	D	E Note 1)	F_n	F_d	G	H	J
XLC-16	40	110	38	1	—	30	—	17	40	26
XLC-25	50	121	48	1	12	40	—	26	39	28
XLC-40	65	171	66	2	11	55	—	41	63	36
XLC-50	70	183	79	2	11	75	—	52	68	38
XLC-63	88	209	100	3	11	87	95	70	69	45
XLC-80	90	250	117	3	11	114	110	83	96	56

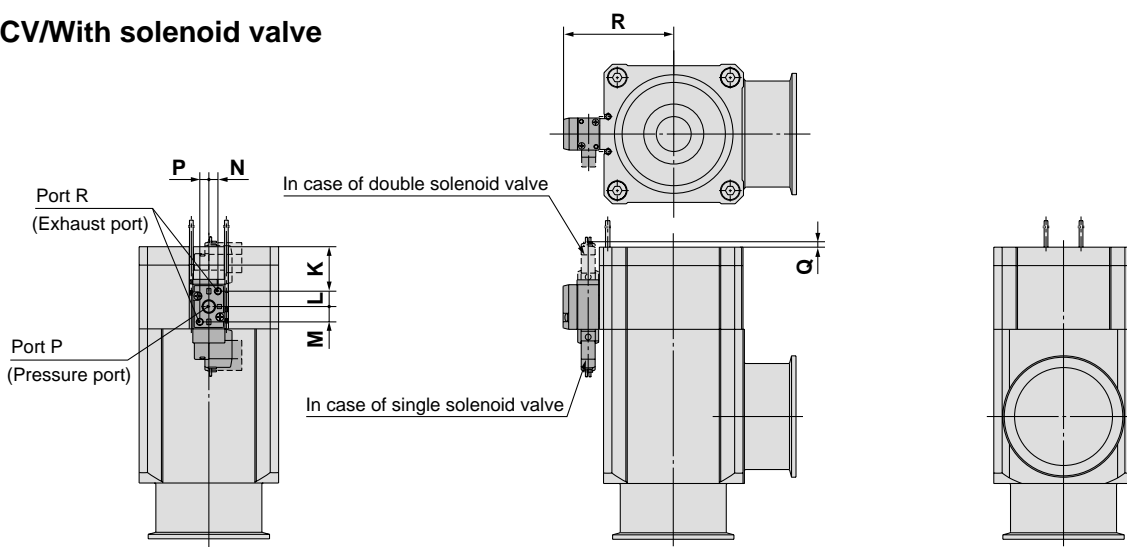
Note 1) Dimension E applies when heater option is included. (Lead wire length: approx. 1 m)

Note 2) (a), (b) and (c) in the above drawing indicate heater mounting positions.

Moreover, heater mounting positions will differ depending on the type of heater.

For further details, refer to mounting positions under "Replacement Heaters" on the back of page 9.

XLCV/With solenoid valve



Model	K	L	M	N	P	Q	R
XLCV-16	14.3	9.2	6.4	3.5	2.7	17.3	36
XLCV-25	15.8	9.2	6.4	3.5	2.7	15.8	41
XLCV-40	29	9.2	6.4	3.5	2.7	2.6	51

Model	K	L	M	N	P	Q	R
XLCV-50	32.3	9.2	6.4	3.5	2.7	—	57.5
XLCV-63	32	11	11	6.5	6.5	—	79
XLCV-80	43.7	11	11	6.5	6.5	—	87.5

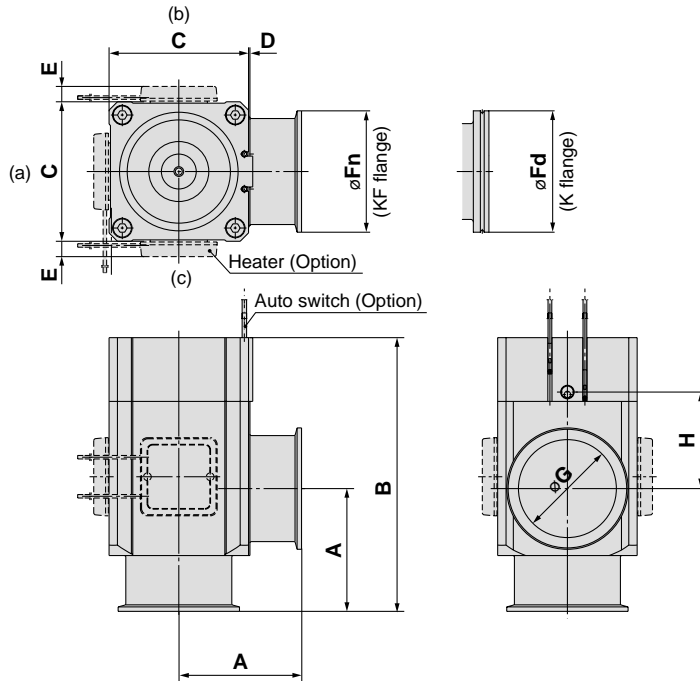
* Other dimensions are the same as the XLC.

Note) For further details on solenoid valves, refer to the SMC solenoid valve catalog "SYJ3000/5000/7000" (ES11-84).

* Other dimensions are the same as the XLC.

Dimensions

XLF/Air operated



Model	A	B	C	D	E ^{Note 1)}	Fn	Fd	G	H
XLF-16	40	103	38	1	—	30	—	17	40
XLF-25	50	113	48	1	12	40	—	26	39
XLF-40	65	158	66	2	11	55	—	41	63
XLF-50	70	170	79	2	11	75	—	52	68
XLF-63	88	196	100	3	11	87	95	70	69
XLF-80	90	235	117	3	11	114	110	83	96
XLF-100	108	300	154	3	11	134	130	102	131
XLF-160	138	315	200	3	11	190	180	153	112

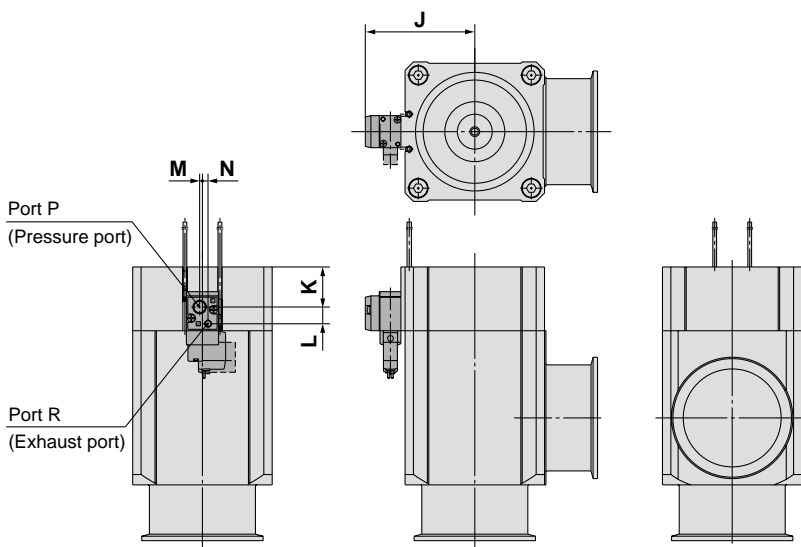
Note 1) Dimension E applies when heater option is included. (Lead wire length: approx. 1 m)

Note 2) (a), (b) and (c) in the above drawing indicate heater mounting positions.

Moreover, heater mounting positions will differ depending on the type of heater.

For further details, refer to mounting positions under "Replacement Heaters" on the back of page 9.

XLFV/With solenoid valve



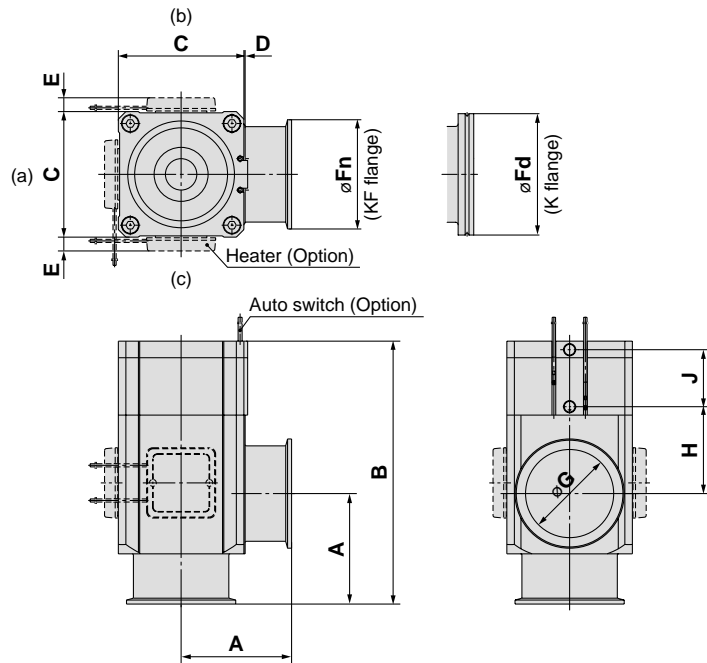
Model	J	K	L	M	N
XLFV-16	35.5	13.4	8.5	3	2.7
XLFV-25	40.5	15	8.5	3	2.7
XLFV-40	50.5	22.7	8.5	3	2.7
XLFV-50	67	21.7	12	4	2
XLFV-63	78.5	28.7	12	4	2
XLFV-80	87	38.7	12	4	2
XLFV-100	105.5	49.7	12	4	2
XLFV-160	128.5	58	12	4	2

* Other dimensions are the same as the XLF.

Note) For further details on solenoid valves, refer to the SMC solenoid valve catalog "SYJ300/500/700" (ES11-86).

Dimensions

XLG/Air operated



Model	A	B	C	D	E Note 1)	F_n	F_d	G	H	J
XLG-16	40	110	38	1	—	30	—	17	40	26
XLG-25	50	121	48	1	12	40	—	26	39	28
XLG-40	65	171	66	2	11	55	—	41	63	36
XLG-50	70	183	79	2	11	75	—	52	68	38
XLG-63	88	209	100	3	11	87	95	70	69	45
XLG-80	90	250	117	3	11	114	110	83	96	56

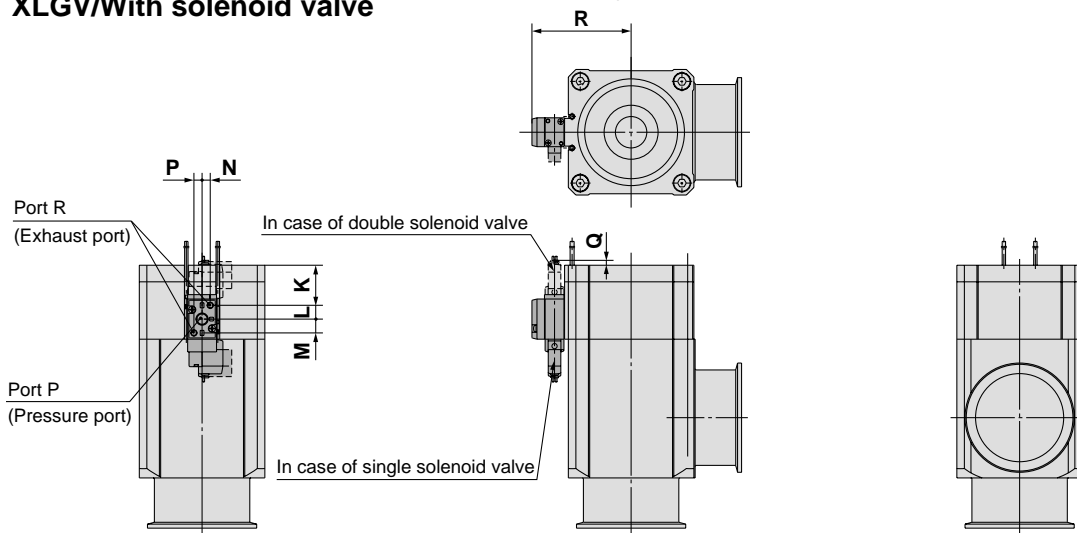
Note 1) Dimension E applies when heater option is included. (Lead wire length: approx. 1 m)

Note 2) (a), (b) and (c) in the above drawing indicate heater mounting positions.

Moreover, heater mounting positions will differ depending on the type of heater.

For further details, refer to mounting positions under "Replacement Heaters" on the back of page 9.

XLGV/With solenoid valve



Model	K	L	M	N	P	Q	R
XLGV-16	14.3	9.2	6.4	3.5	2.7	17.3	36
XLGV-25	15.8	9.2	6.4	3.5	2.7	15.8	41
XLGV-40	29	9.2	6.4	3.5	2.7	2.6	51
XLGV-50	25	11	11	6.5	6.5	7.7	67.5
XLGV-63	32.3	11	11	6.5	6.5	0.3	79
XLGV-80	43.7	11	11	6.5	6.5	—	87.5

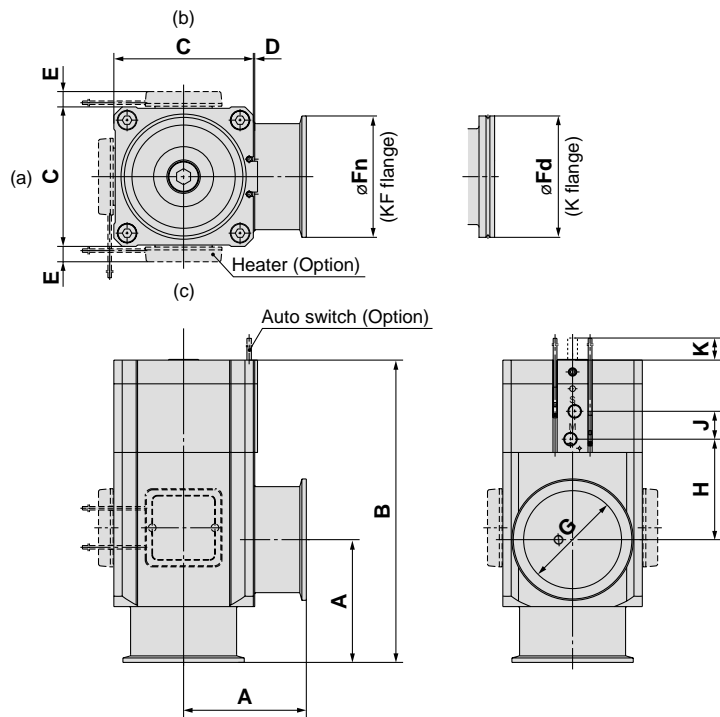
* Other dimensions are the same as the XLG.

Note) For further details on solenoid valves, refer to the SMC solenoid valve catalog "SYJ3000/5000/7000" (ES11-84).

Series XLD/XLDV

Dimensions

XLD/Air operated



Model	A	B	C	D	E	Fn	Fd	G	H	J	K
XLD-25	50	123	48	1	12	40	—	26	41	16	7.5
XLD-40	65	170	66	2	11	55	—	41	63	20	15
XLD-50	70	183	79	2	11	75	—	52	68	20	17.5
XLD-63	88	217	100	3	11	87	95	70	72	20	20
XLD-80	90	256	117	3	11	114	110	83	98	20	26.5

Note 1) Dimension E applies when heater option is included. (Lead wire length: approx. 1 m)

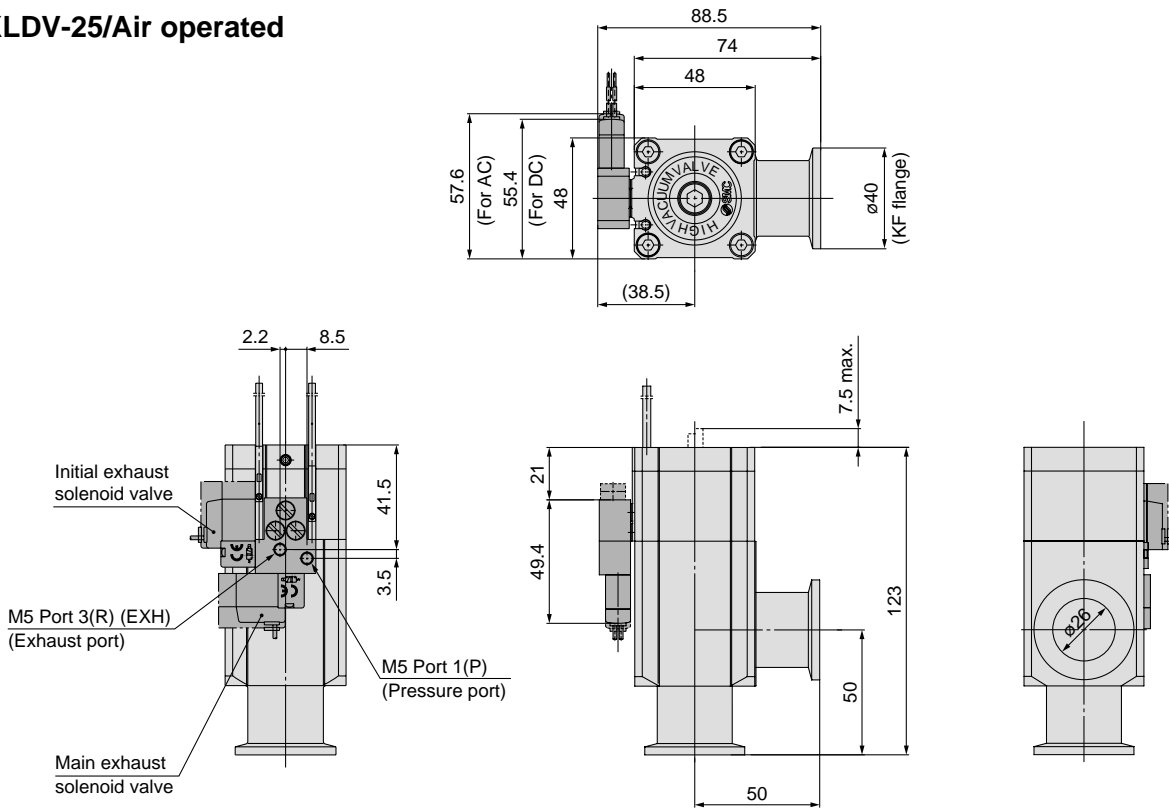
Note 2) (a), (b) and (c) in the above drawing indicate heater mounting positions.

Moreover, heater mounting positions will differ depending on the type of heater.

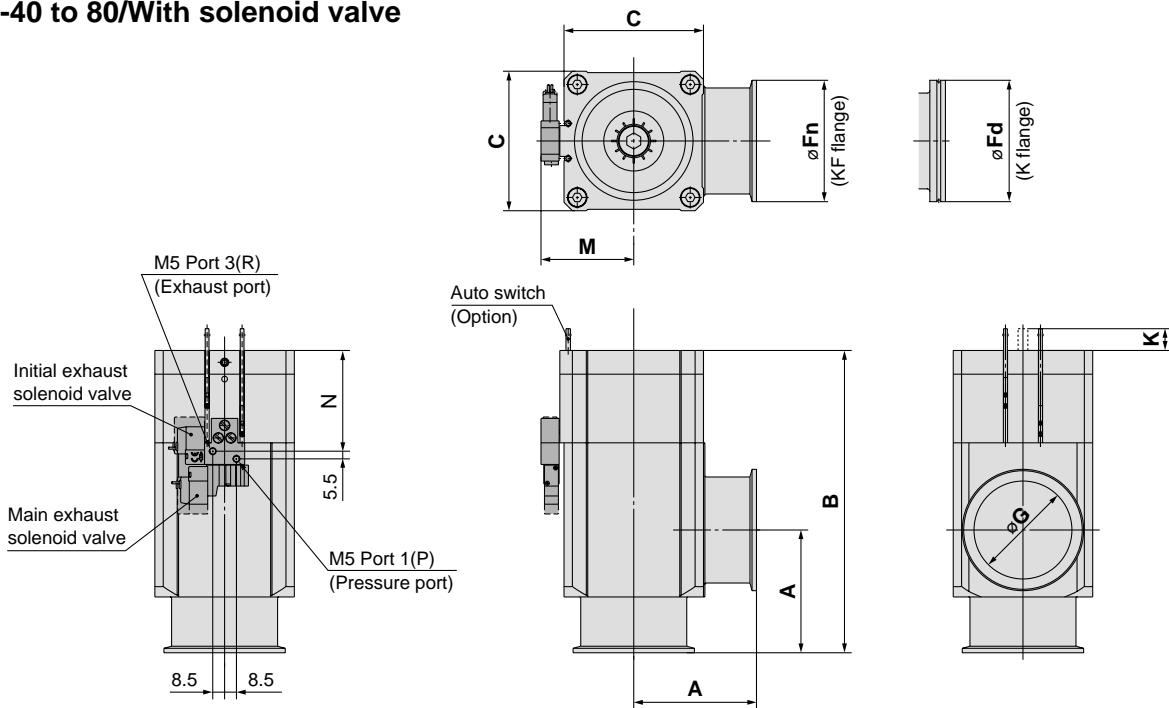
For further details, refer to mounting positions under "Replacement Heaters" on the back of page 9.

Dimensions

XLDV-25/Air operated



XLDV-40 to 80/With solenoid valve



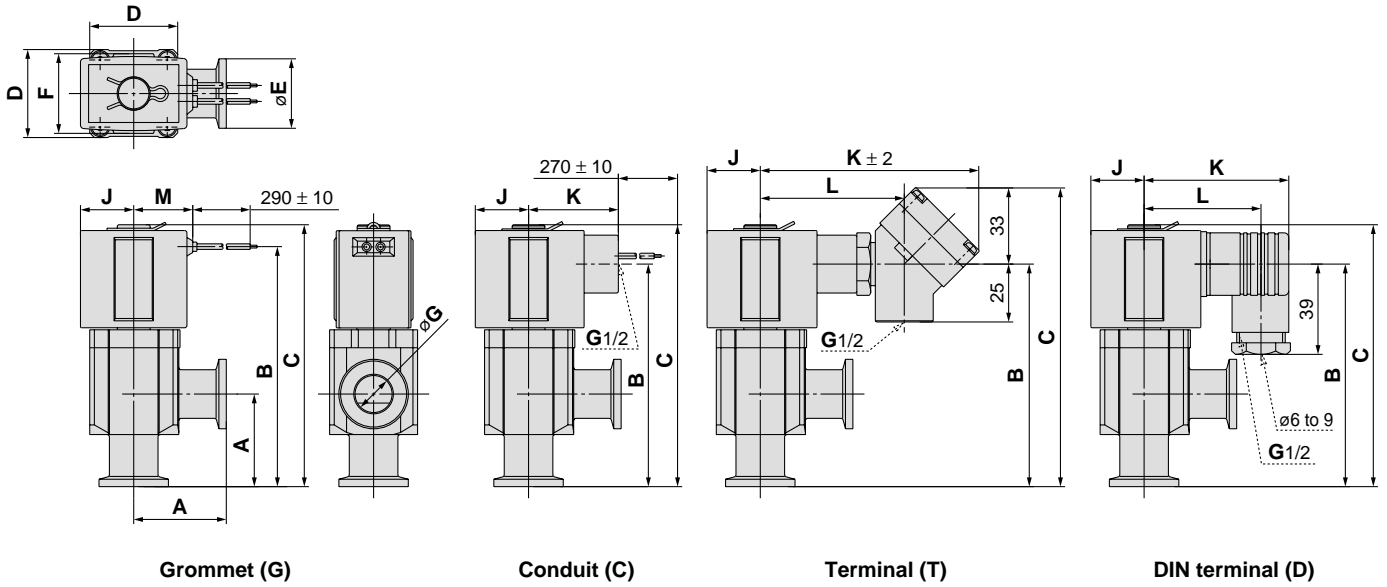
Model	A	B	C	Fn	Fd	G	M	N	K
XLDV-40	65	170	66	55	—	41	48.5	53.5	15
XLDV-50	70	183	79	75	—	52	55	57.5	17.5
XLDV-63	88	217	100	87	95	70	66.5	72.2	20
XLDV-80	90	256	117	114	110	83	75	82.6	26.5

Note) For further details on solenoid valves, refer to the SMC solenoid valve catalog "SY100" (Best Pneumatics 2004 Vol. 4) and "SYJ300/500/700" (ES11-86).

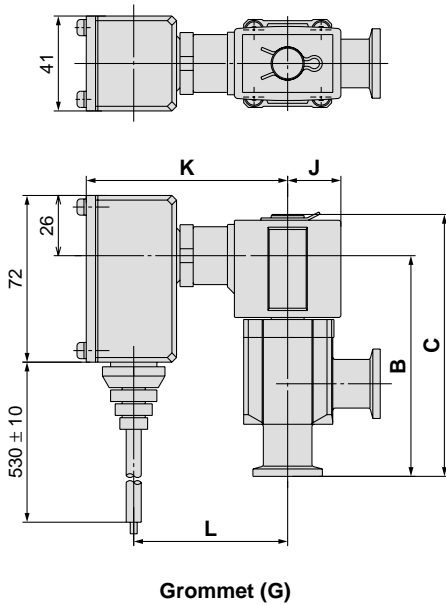
Series XLS

Dimensions

XLS/Without control power supply



XLS/With control power supply



Model	A	B	C	D	E	F	G	J	K	L	M
XLS-16-□G	40	104	113	38	30	35	17	23	—	—	25.5
XLS-16-□C		96							41	—	—
XLS-16-□D									60	48	—
XLS-16-□T									95	62	—
XLS-25-□G	50	128.5	138.5	48	40	40	26	25.5	—	—	28
XLS-25-□C		121.5							43	—	—
XLS-25-□D		120.5							63	51	—
XLS-25-□T		121.5							97	66	—
XLS-16-P□G	40	96	113	38	30	35	17	23	87	66.5	—
XLS-25-P□G	50	121.5	138.5	48	40	40	26	25.5	89.5	69	—