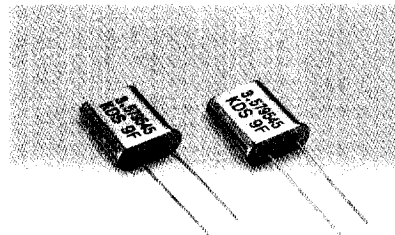
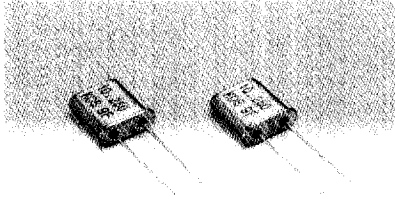


Resistance Weld Type

UM-4, UM-5, UM-1, HC-49/T, HC-50/T, HC-49/U, HC-50/U



FEATURES

- High frequency stability.
- Ideal for mobile telecommunication devices (UM series).
- Micro processor standard clock resonator application (HC series).
- Excellent impact shock and vibration resistance.
- Also available in taping for automatic surface mounting.

RESISTANCE OF SERIES RESONANCE

FREQUENCY \ TYPE	Mode	UM-4 max.	UM-5 Ωmax.	UM-1 Ωmax.	HC-49/T Ωmax.	HC-50/T Ωmax.	HC-49/U Ωmax.	HC-50/U Ωmax.
1.8~2.0MHz	F	-	-	-	-	-	600	600
2.0~2.4MHz	F	-	-	-	-	-	450	450
2.4~3.0MHz	F	-	-	-	-	-	350	350
3.0~3.5MHz	F	-	-	-	-	-	150	150
3.5~4.0MHz	F	-	-	-	150	150	90	90
4.0~7.0MHz	F	-	-	-	90	90	60	60
7.0~10MHz	F	-	-	-	45	45	35	35
10~15MHz	F	50	50	50	45	45	35	35
15~20MHz	F	50	50	50	25	25	25	25
20~25MHz	F/3	50/-	50/-	50	25/60	25/60	25/50	25/50
25~30MHz	F/3	50/-	50/-	50	25/40	25/40	25/40	25/40
30~75MHz	3	70	70	70	40	40	40	40
75~100MHz	3/5	70/-	70/80	70/80	-/60	-/60	-/60	-/60
100~125MHz	5	80	80	80	60	60	60	60
125~150MHz	5	100	100	100	80	80	80	80
150~200MHz	7	-	120	120				

FREQUENCY RANGE

1.8~200MHz

MODE OF VIBRATION

AT-cut, Thickness-Shear Fund, 3rd, 5th, 7th

DRIVE LEVEL

10μW, 50μW, 100μW, 500μW

LOAD CAPACITANCE

Series resonance, 12pF, 16pF, 20pF, 32pF

FREQUENCY TOLERANCE

±5ppm, ±10ppm, ±15ppm, ±20ppm, ±30ppm

FREQUENCY STABILITY(TEMP.)

±5ppm, ±10ppm, ±20ppm, ±30ppm, ±50ppm

OPERATING TEMP. RANGE

-10°C~±60°C

STORAGE TEMP. RANGE

-30°C~+80°C

AGING

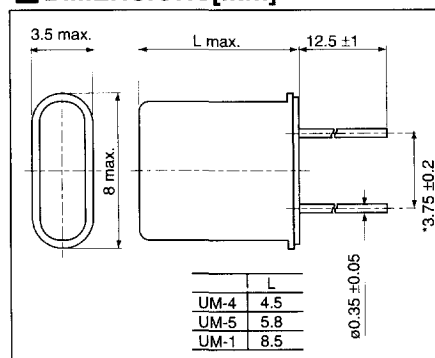
UM Series:

±1ppm, 2ppm, 3ppm/year(max.)

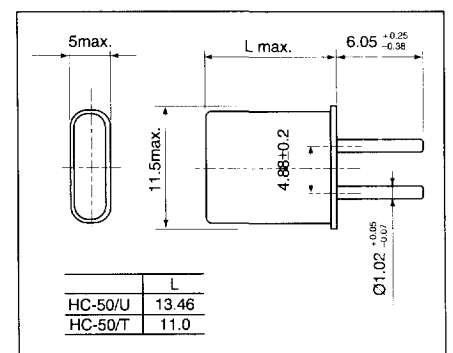
HC Series :

±5ppm/year(max.)

DIMENSIONS[mm]



Please contact your KDS sales representative to discuss particular spec requirements.



*Lead pitch shall be measured from the root of leads.

