

RoHS Compliant Product
A suffix of "-C" specifies halogen and lead free

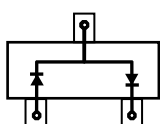
FEATURES

- Low forward voltage: $V_{F(3)} = 0.9V$ (typ.)
- Fast reverse recovery time : $t_{rr} = 1.6ns$ (typ.)
- Small total capacitance: $C_t = 0.9pF$ (typ.)

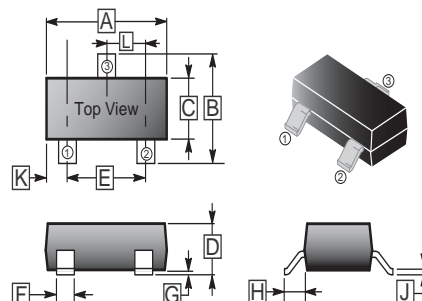
PACKAGE INFORMATION

- Weight: 0.0078 g (approximately)

MARKING

Part Number	SCS226K
Marking	C3 / A7
Circuit	

SOT-23



REF.	Millimeter		REF.	Millimeter	
	Min.	Max.		Min.	Max.
A	2.80	3.04	G	0.09	0.18
B	2.10	2.55	H	0.45	0.60
C	1.20	1.40	J	0.08	0.177
D	0.89	1.15	K	0.6 REF.	
E	1.78	2.04	L	0.89	1.02
F	0.30	0.50			

PACKAGE INFORMATION

Package	MPQ	Leader Size
SOT-23	3K	7 inch

ABSOLUTE MAXIMUM RATINGS, Single Diode ($T_A=25^{\circ}C$ unless otherwise specified)

Parameter	Symbol	Ratings	Unit
Non-Repetitive Peak Reverse Voltage	V_{RM}	85	V
Repetitive Peak Reverse Voltage	V_{RRM}	80	V
Working Peak Reverse Voltage	V_{RWM}	80	V
DC Blocking Voltage	V_R	80	V
Forward Continuous Current	I_{FM}	300	mA
Average Rectified Output Current	I_O	100	mA
Peak Forward Surge Current@10ms	I_{FSM}	2	A
Power Dissipation	P_D	150	mW
Junction, Storage Temperature	T_J, T_{STG}	125, -55~125	$^{\circ}C$

CHARACTERISTICS ($T_A = 25^{\circ}C$ unless otherwise specified)

Parameter	Symbol	Min.	Typ.	Max.	Unit	Test Conditions
Reverse Breakdown Voltage	$V_{(BR)}$	80	-	-	V	$I_R=100A$
Forward Voltage	V_F	-	-	1.2	V	$I_F=100mA$
Reverse Current	I_R	-	-	0.5	A	$V_R=80V$
Capacitance Between Terminals	C_D	-	-	3.0	pF	$V_R=0, f=1 MHz$
Reverse Recovery Time	T_{RR}	-	-	4.0	ns	$I_F=10mA$

CHARACTERISTIC CURVES

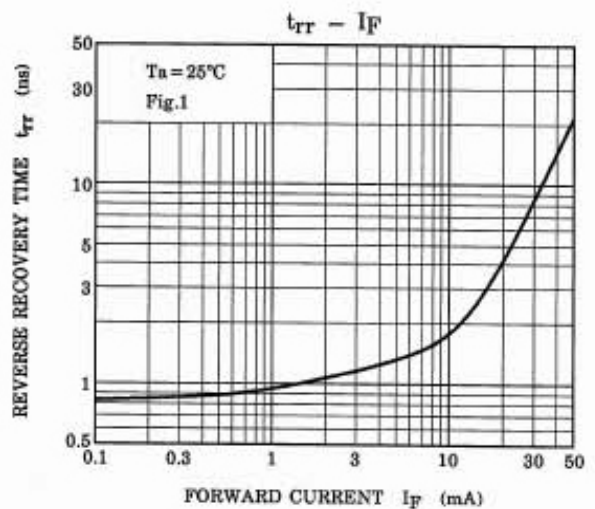
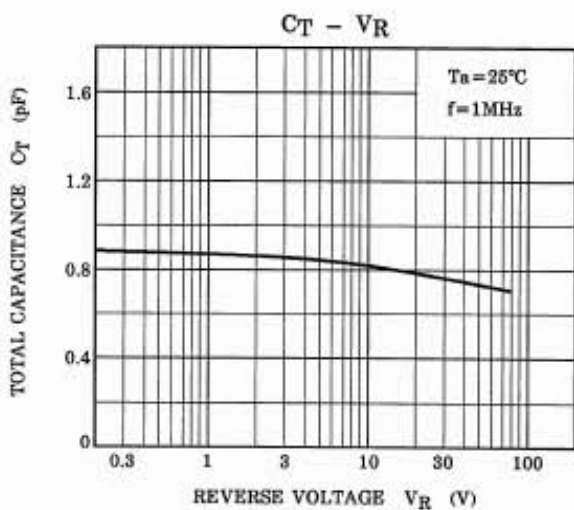
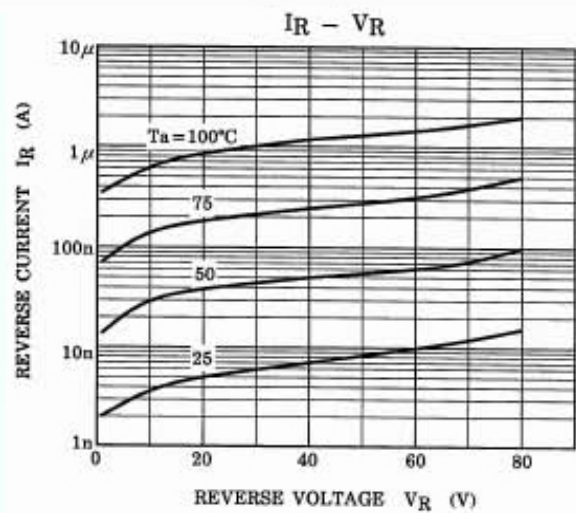
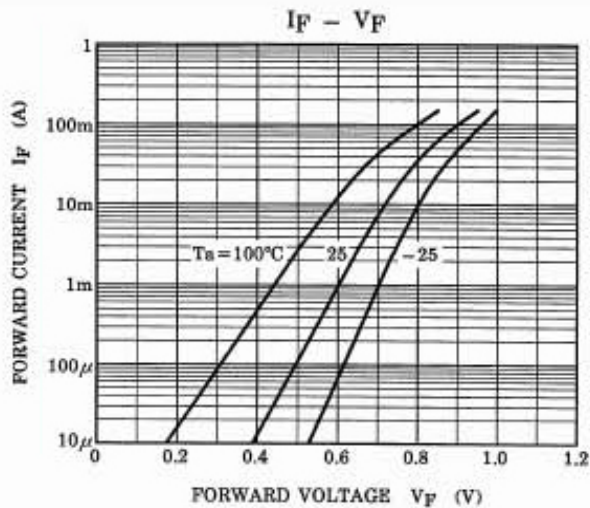


Fig.1 Reverse recovery time (t_{rr}) test circuit

